

Low Voltage General Purpose Motors

LV Cast iron motor section



ABB

Making you more competitive

ABB's General purpose motor is designed for use in general industry, meeting the demands of standard applications for OEM's. Motors are readily available from central stock locations and distributors around the world. The motors have high build quality, are available with all the features needed by the OEM market and can be modified to meet most specifications.



ABB is a global leader in power and automation technologies that enable utility and industry customers to improve their performance while lowering environmental impact. The ABB Group of companies operates in around 100 countries and employs about 107,000 people.

Low Voltage General Purpose Motors

Sizes 56 to 400, from 0.055 to 630 kW

	Contents	Page	
1	General information	4	1
2	Aluminum motors	11	2
3	Steel motors	79	3
4	Cast iron motors	111	4
5	Open drip proof motors	145	5
6	Global motors	165	6
7	Brake motors	189	7
8	Single phase motors	215	8

ABB reserves the right to change the design, technical specification and dimensions without prior notice.

General information

Standards

ABB motors are of the totally enclosed and open drip proof, single or three phase squirrel cage type, built to comply with international IEC and EN standards. Motors conforming to other national and international specifications are also available on request.

All production units are certified to ISO 9001 international quality standard as well ISO 14000 environmental standard and confirm to all applicable EU Directives.

IEC / EN

Electrical	Mechanical
IEC/EN 60034-1	IEC 60072
IEC/EN 60034-2	IEC/EN 60034-5
IEC 60034-8	IEC/EN 60034-6
IEC 60034-12	IEC/EN 60034-7
	IEC/EN 60034-9
	IEC 60034-14



M000001



M000002



M000003



M000029

Motors for EU motor efficiency levels

A Europe-wide agreement will ensure that the efficiency levels of electric motors manufactured in Europe are clearly displayed. In contrast to the American legislation on motor efficiency the European agreement does not establish mandatory efficiency levels.

It basically establishes three classes giving motor manufacturers an incentive to qualify for a higher class.

ABB is one of only a handful of leading motor manufacturers in Europe to have a motor range to meet or exceed the minimum efficiencies stated in the highest level of the EU agreement of LV motors.

These efficiency levels apply to 2- and 4-pole, three phase squirrel cage induction motors rated for 400V, 50Hz with S1 duty class with the output 1.1 to 90 kW, which

account for the largest volume on the market.

The efficiency of motors from different manufacturers are collated in a database, EURODEEM, published by the European Commission. It is accessible over the Internet at <http://iamest.jrc.it/projects/eem/eurodeem.htm>.

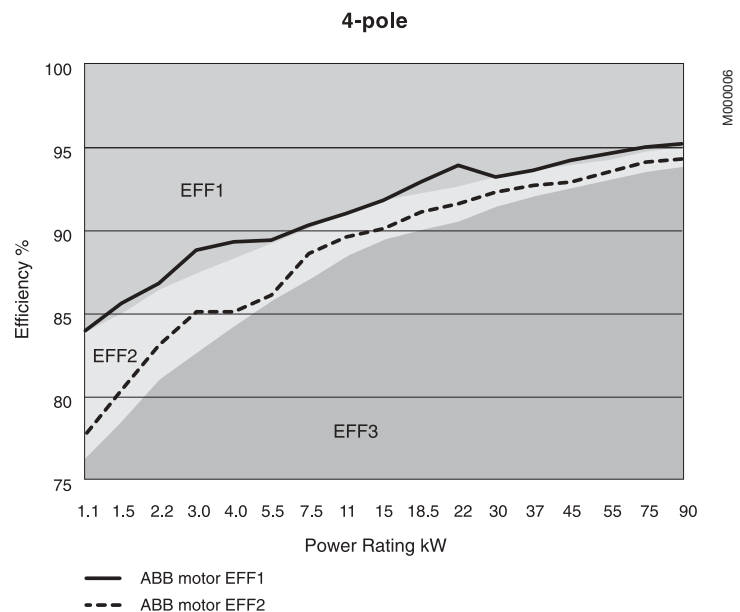
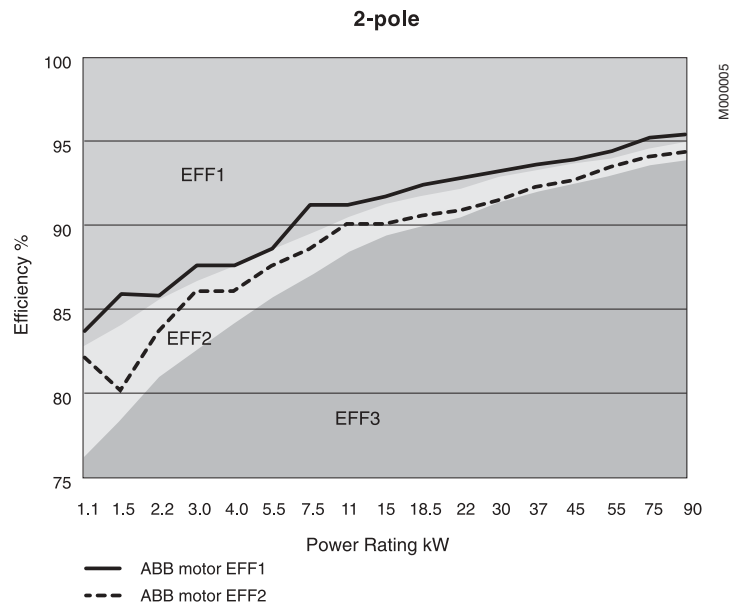
EU efficiency classes for 2-pole motors

Output kW	2-pole Boarderline	
	EFF2/EFF3	EFF1/EFF2
1.1	76.2	82.8
1.5	78.5	84.1
2.2	81.0	85.6
3	82.6	86.7
4	84.2	87.6
5.5	85.7	88.6
7.5	87.0	89.5
11	88.4	90.5
15	89.4	91.3
18.5	90.0	91.8
22	90.5	92.2
30	91.4	92.9
37	92.0	93.3
45	92.5	93.7
55	93.0	94.0
75	93.6	94.6
90	93.9	95.0

EU efficiency classes for 4-pole motors

Output kW	4-pole Boarderline	
	EFF2/EFF3	EFF1/EFF2
1.1	76.2	83.8
1.5	78.5	85.0
2.2	81.0	86.4
3	82.6	87.4
4	84.2	88.3
5.5	85.7	89.2
7.5	87.0	90.1
11	88.4	91.0
15	89.4	91.8
18.5	90.0	92.2
22	90.5	92.6
30	91.4	93.2
37	92.0	93.6
45	92.5	93.9
55	93.0	94.2
75	93.6	94.7
90	93.9	95.0

ABB Three phase induction motors, 400 V 50 Hz - EU motor efficiency levels

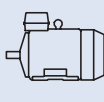
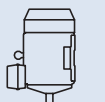
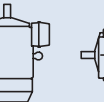
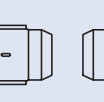
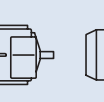
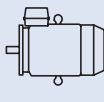
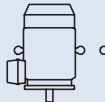
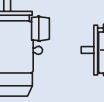
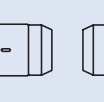
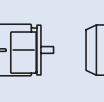
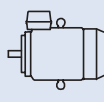
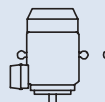
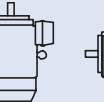
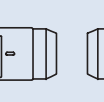
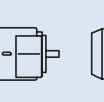
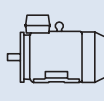
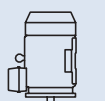
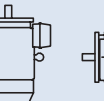
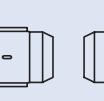
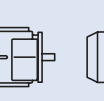
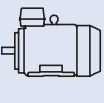
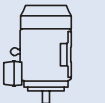
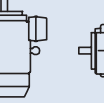
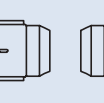
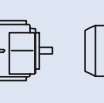
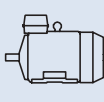
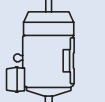
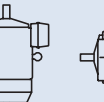
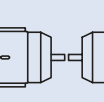
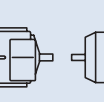


General technical specification

Mechanical and electrical design

Mounting arrangements

1

	Code/Code/Code						Product code pos. 12
Foot-mounted motor.	IM B3 IM 1001	IM V5 IM 1011	IM V6 IM 1031	IM B6 IM 1051	IM B7 IM 1061	IM B8 IM 1071	A = foot-mounted, term.box top R = foot-mounted, term.box RHS L = foot-mounted, term.box LHS
	M000007						
Flange-mounted motor, large flange	IM B5 IM 3001	IM V1 IM 3011	IM V3 IM 3031	*) IM 3051	*) IM 3061	*) IM 3071	B = flange mounted, large flange
	M000008						
Flange-mounted motor, small flange	IM B14 IM 3601	IM V18 IM 3611	IM V19 IM 3631	*) IM 3651	*) IM 3661	*) IM 3671	C = flange mounted, small flange
	M000009						
Foot- and flange-mounted motor with feet, large flange	IM B35 IM 2001	IM V15 IM 2011	IM V36 IM 2031	*) IM 2051	*) IM 2061	*) IM 2071	H = foot/flange-mounted, term.box top S = foot/flange-mounted, term.box RHS T = foot/flange-mounted, term.box LHS
	M000010						
Foot- and flange-mounted motor with feet, small flange	IM B34 IM 2101	IM V17 IM 2111	IM 2131	IM 2151	IM 2161	IM 2171	J = foot/flange-mounted, small flange
	M000011						
Foot-mounted motor, shaft with free extensions	IM 1002	IM 1012	IM 1032	IM 1052	IM 1062	IM 1072	
	M000012						

*) Not stated in IEC 60034-7.

Cooling

Designation system concerning methods of cooling refers to standard IEC 60034-6.

Example

IC 4 (A) 1 (A) 6

International Cooling ————|

Circuit arrangement ————|

0: Free circulation (open circuit)
4: Frame surface cooled

Primary coolant ————|

A for air (omitted for simplified designation)

Method of movement of primary coolant ————|

0: Free convection
1: Self-circulation
6: Machine-mounted independent component

Secondary coolant ————|

A for air (omitted for simplified designation)
W for water

Method of movement of secondary coolant ————|

0: Free convection
1: Self-circulation
6: Machine-mounted independent component
8: Relative displacement

Degrees of protection: IP code/IK code

Classification of degrees of protection provided by enclosures of rotating machines are refers to:

- Standard IEC 60034-5 or EN 60529 for IP code
- Standard EN 50102 for IK code

IP protection:

Protection of persons against getting in contact with (or approaching) live parts and against contact with moving parts inside the enclosure. Also protection of the machine against ingress of solid foreign objects. Protection of machines against the harmful effects due to the ingress of water

IP 5 5

Characteristic letter ————|

Degree of protection to persons and to parts of the motors inside the enclosure ————|

2: Motors protected against solid objects greater than 12 mm
4: Motors protected against solid objects greater than 1 mm
5: Dust-protected motors

Degree of protection provided by the enclosure with respect to harmful effects due to ingress of water ————|

3: Motors protected against spraying water
4: Motors protected against splashing water
5: Motors protected against water jets
6: Motors protected against heavy seas

IK code :

Classification of degrees of protection provided by enclosure for motors against external mechanical impacts.

IK 08

International mechanical protection ————|

Characteristic group ————|

Relation between IK code and impact energy:

IK cod	IK 0	IK 01	IK 02	IK 03	IK 04	IK 05	IK 06	IK 07	IK 08	IK 09	IK 10
Impact energy Joule	*	0.15	0.2	0.35	0.5	0.7	1	2	5	10	20
									ABB Standard		

* not protected according to EN 50102



Insulation

ABB uses class F insulation systems, which, with temperature rise B, is the most common requirement among industry today.

The use of Class F insulation with Class B temperature rise gives ABB products a 25° C safety margin. This can be used to increase the loading by up to 12 per cent for limited periods, to operate at higher ambient temperatures or altitudes, or with greater voltage and frequency tolerances. It can also be used to extend insulation life. For instance, a 10 K temperature reduction will extend the insulation life.

Class F insulation system

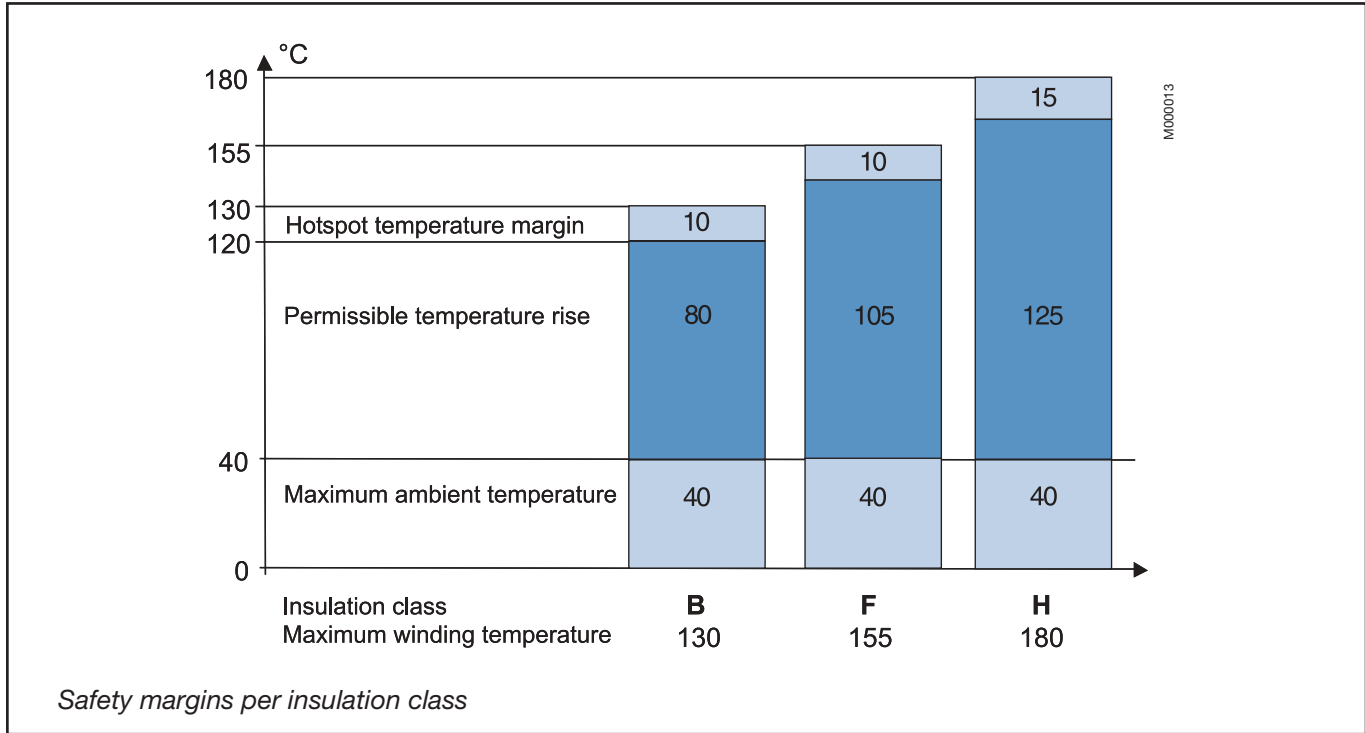
- Max ambient temperature 40° C
- Max permissible temperature rise 105 K
- Hotspot temperature margin + 10 K

Class B rise

- Max ambient temperature 40° C
- Max permissible temperature rise 80 K
- Hotspot temperature margin + 10 K

Insulation system temperature class

- Class F 155° C
- Class B 130° C
- Class H 180° C



Frequency converter drives

Squirrel cage induction motors offer excellent availability, reliability and efficiency. With a frequency converter – a variable speed drive (VSD) – the motor will deliver even better value. A variable speed drive motor can be started softly with low starting current, and the speed can be controlled and adjusted to suit the application demand without steps over a wide range. Also the use of a frequency converter together with a squirrel cage motor usually leads to remarkable energy and environmental savings.

However, all motors are not suitable for variable speed drive. There are several points that have to be taken into account in the design and selection of the motor, if it is intended for variable speed operation.

Within the General purpose motor range ABB offers motors designed for both Direct On Line (DOL) and variable speed applications.

For more demanding applications the use of ABB Process performance motors is recommended.

When selecting general purpose motors to variable speed drives, following points shall be taken into consideration:

1. Dimensioning

The voltage (or current) fed by the frequency converter is not purely sinusoidal. This may increase the losses, vibration, and noise of the motor. Furthermore, a change in the distribution of the losses may affect to the temperature rise of the motor. In each case, the motor must be correctly sized according to the instructions supplied with the selected frequency converter.

When using ABB converters, please use ABB's DriveSize dimensioning programme or the loadability curves of the corresponding converter type for sizing the motors. The loadability curve for applicable General purpose motors used with ABB's ACS 800- frequency converters with DTC-control can be found in figure 3.

2. Speed range

In a frequency converter drive, the actual operating speed of the motor may deviate considerably from its nominal speed (i.e. the speed stamped on the rating plate).

For higher speeds, ensure that the highest permissible rotational speed of the motor or the critical speed of the entire equipment is not exceeded. When high speed operation exceeds the nominal speed of the motor, the following points should be checked:

- Maximum torque of the motor
- Bearing construction
- Lubrication
- Balancing
- Critical speeds
- Shaft seals
- Ventilation
- Fan noise

Guideline values of maximum speeds for General purpose aluminum motors described in figure 1. Exact values are available on request.

Figure 1. Guideline values of maximum speeds for General purpose motor in aluminum frame:

Motor size	Speed r/min	
	2-pole	4-pole
63-80	6000	4500
90-100	6000	6000
112-200	4500	4500
225-280	3600	3600

At low speed operation the cooling capacity of the fan decreases, which may cause higher temperature rises in the motor. A separate constant speed fan can be used to increase cooling capacity and loadability at low speed. It is also important to check the performance of the grease at low speeds.

3. Lubrication

Variable speed operation affects on the bearing temperature, which must be taken into account when selecting the lubrication method and grease type. For example the life time of sealed bearings can be remarkably shorter than in direct on line operation.

4. Insulation protection

Frequency converter supply causes higher voltage stresses at the windings of the motor than the sinusoidal supply. Thus, the insulation system and possible filters must be selected according to the used voltage and converter type. For selection of insulation system and filters, see figure 2.

5. Bearing currents

Bearing voltages and currents must be avoided in all motors. For reliability issues, insulated bearings and/or properly dimensioned filters at the converter output must be used according to the instructions in figure 2. When ordering, clearly state which alternative will be used.

For more information about bearing currents and voltages, please contact ABB.

6. Cabling, grounding and EMC

The use of a frequency converter puts higher demands on the cabling and grounding of the drive system. The motor must be cabled by using shielded symmetrical cables and cable glands providing 360° bonding (also called EMC-glands). For motors up to 30 kW unsymmetrical cables can be used, but shielded cables are always recommended.

More information about grounding and cabling of a variable speed drive can be found from the manual

“Grounding and cabling of the drive system” (Code: 3AFY 61201998 R0125 REV B) and the ABB’s Low Voltage Motors Manual.

For fulfilling the EMC requirements, special EMC cable(s) must be used in addition to the correct cable gland mounting, with special, extra earthing pieces. Please refer to the manuals of the frequency converter.

Validity of figure 2

Measures mentioned in Figure 2 apply to the applicable motors within the General motors range (not high-output versions) with ACS 800 and ACS 550 drives with uncontrolled DC-voltage. For other alternatives and converter types, please contact ABB.

Figure 2. Selection rules for insulation and filtering in variable speed drives

	Motor nominal power P_N or frame size		
	$P_N < 100 \text{ kW}$	$P_N \geq 100 \text{ kW}$ or IEC 315 \leq Frame size \leq IEC 355	$P_N \geq 350 \text{ kW}$ or IEC 400
$U_N \leq 500 \text{ V}$	Standard motor	Standard motor + Insulated N-bearing	Standard motor + Insulated N-bearing + Common mode filter
$U_N \leq 600 \text{ V}$	Standard motor + dU/dt-filter (reactor) OR Reinforced insulation	Standard motor + dU/dt-filter (reactor) + Insulated N-bearing OR Reinforced insulation + Insulated N-bearing	Standard motor + Insulated N-bearing + dU/dt-filter (reactor) + Common mode filter OR Reinforced insulation + Insulated N-bearing + Common mode filter
$U_N \leq 690 \text{ V}$	Reinforced insulation + dU/dt-filter (reactor)	Reinforced insulation + dU/dt-filter (reactor) + Insulated N-bearing	Reinforced insulation + Insulated N-bearing + dU/dt-filter (reactor) + Common mode filter

dU/dt filter (reactor)

Series reactor. DU/dt -filter decreases the changing rate of the phase and main voltages and thus reduces voltage stresses in the windings. DU/dt -filters also decrease so-called common mode currents and the risk of bearing currents.

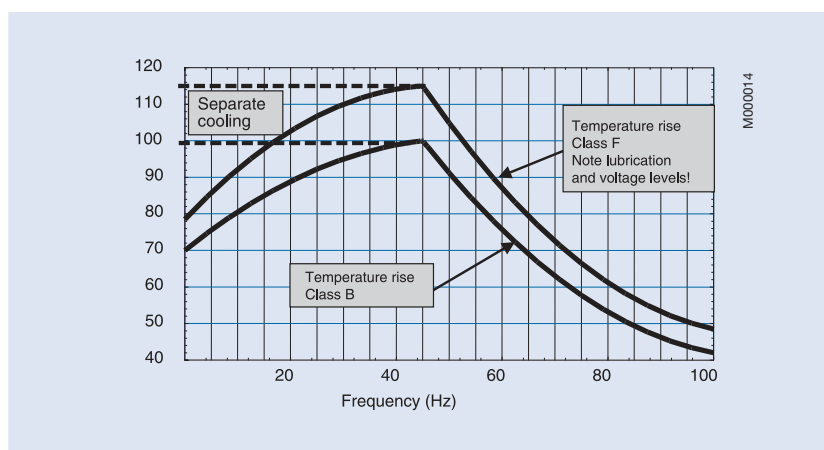
Common mode

Common mode filters reduce so-called common mode currents in VSD applications and thus decrease the risk of bearing currents. Common mode filters do not significantly affect the phase or main voltages on the motor terminals.

Insulated Bearings

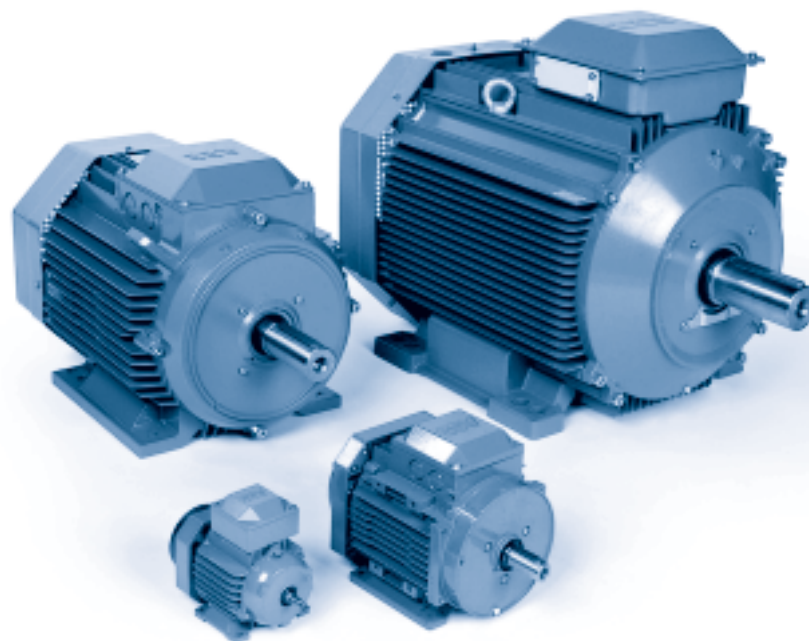
Bearings with insulated inner or outer races are used as the standard solution. So-called hybrid bearings, i.e. bearings with non-conductive ceramic balls, can also be used in special applications. More information for spare part selection is available on request.

Figure 3. Motor loadability with ACS 800, Field weakening point 50 Hz.



General Purpose Aluminum Motors

Totally enclosed squirrel cage three phase low voltage motors,
Sizes 56 - 280, 0.06 to 95 kW



www.abb.com/motors&drives

- > Motors
- > Low voltage motors
- > General purpose motors

Mechanical design	12
Rating plates	22
Ordering information.....	23
Technical data.....	24
Variant codes	46
Dimension drawings.....	52
Accessories	73
Aluminum motors in brief	76

Mechanical design

Stator

Stator framework, bearing shields and feet are made of an extra corrosion resistant aluminum alloy with low copper content with the following exceptions:
M2AA 180-250 and M3AA 250 SMA-2 basic version, have cast iron feet.
M3AA 280 has feet and D-end shield of cast iron.

M3AA 250 SMB 2-pole, high output version, as well as M3AA 280 2-pole have cast iron feet and bearing shields.

The flange bearing shields of sizes 180 to 280 are made of cast iron.

Drain holes

Motors that will be operated in very humid or wet environments and especially under intermittent duty should be provided with drain holes. The appropriate IM designation, such as IM 3031, is specified on the basis of the method of mounting the motor.

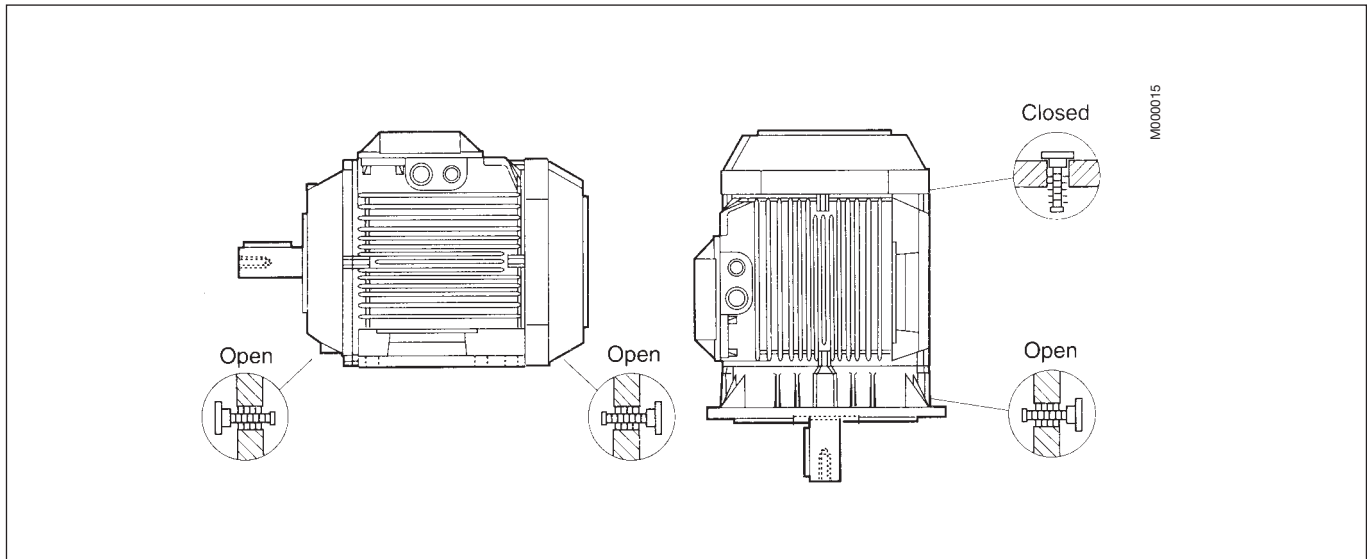
Motors are provided with closable plastic plugs in the drain holes (see diagram below). The plugs will be open on delivery. When mounting the motors it should be ensured that the drain holes face downwards. In the case of vertical mounting, the upper plug must be hammered home completely. In very dusty environ-

ments both plugs should be hammered home.

Sizes 56 to 63 are supplied as standard with drain holes on D-end while sizes 71 to 280 are supplied with drain holes both on D-end and N-end.

When mounting arrangement differs from foot mounted IM B3, please mention variant code 066 when ordering.

See variant codes 065, 066 and 076 under the heading "Drain holes".



Terminal box

Sizes 56 to 180 and M2AA 200

The terminal box is made of aluminum alloy and is located on top of the stator. The lower part of the box is integrated with the stator. It is provided with 2 knockout openings on each side. Sizes 160-180 also have a third smaller opening. Cable glands are not included.

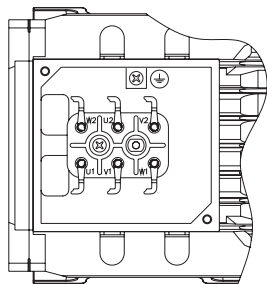
Sizes 200 to 280, except M2AA 200

The terminal box and cover are made of deep drawn steel and mounted on top of the stator. The box is bolted to the stator and is not rotatable. The size of the box is the same for all motors.

In the basic design the terminal box is provided with two FL 13 flange openings, one on each side. The opening on the right side, seen from the D-end, is supplied with a flange with two holes for M40 cable glands. On delivery the holes are sealed by means of plastic plugs. Cable glands are not supplied. The opening on the other side is provided with a cover flange.

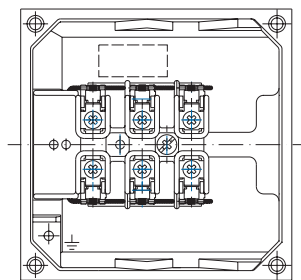
The motors can also be provided with an extra large terminal box, standard for voltage code S and frame size 280. See variant code 019 under the heading "Terminal box". This will increase the dimension HD by 32 mm. The box is supplied with two FL 21 openings. The right opening is provided with a flange with two holes for M63 cable glands. The holes are sealed by means of plastic plugs. Cable glands are not supplied. The opening on the other side is provided with a cover flange. The box can also be provided with an FL 13 opening towards the N-end.

When new motors are manufactured the terminal box can be mounted on the left or the right side. See variant codes 021 and 180 under the heading "Terminal box".



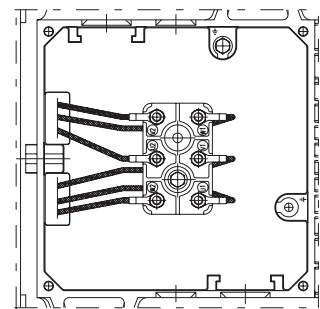
MG000016

Terminal box size 56-80.



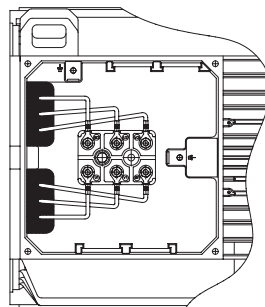
MG000017

Terminal box size 90-100.



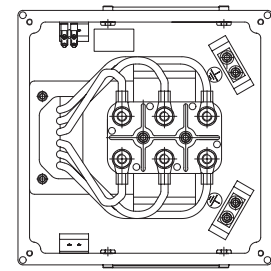
MG000018

Terminal box size 112-132.



MG000019

Terminal box size 160-180 and M2AA 200.



MG000020

Terminal box size 200-280, except M2AA 200.

Connections

The terminal block is provided with 6 terminals for connecting Cu-cable. The terminals are marked in accordance with IEC 60034-8.

Connection openings

Motor size	Opening	Metric cable entry	Method of connection	Terminal bolt size	Maximum connectable Cu-cable area, mm ²
56-63	Knock-out opening	1 x M16 x 1.5 1 x Pg 11	Screw terminal	M4	2.5
71-80	Knock-out opening	2 x M20 x 1.5 2 x Pg 16	Screw terminal	M4	4
90-100	Knock-out opening	2 x (M25 + M20)	Screw terminal	M4	6
112-132	Knock-out opening	2 x (M25 + M20)	Cable lug	M5	10
160-180	Knock-out opening	2 x (2 x M40 + M16)	Cable lug	M6	35
200 ¹⁾	Knock-out opening	2 x (2 x M40 + M16)	Cable lug	M6	35
200-250 ²⁾	2 x FL 13	1 x (2 x M40 + M16)	Cable lug	M10	70
280	2 x FL 21	1 x (2 x M63 + M16)	Cable lug	M10	70

¹⁾ M2AA

²⁾ M2AA 200 excluded

Bearings

The motors are provided with bearings according to the tables below.

Greater axial forces can be tolerated if the motors are provided with angular contact ball bearings. Note that

in such cases the axial force must only operate in one direction.

Motor versions with roller bearings tolerate greater radial forces.

Basic version with deep groove ball bearings

Basic design motors		
Motor size	Foot- and flange-mounted motor	
	D-end	N-end
56	6201-2Z/C3	6201-2Z/C3
63	6202-2Z/C3	6201-2Z/C3
71	6203-2Z/C3	6202-2Z/C3
80	6204-2Z/C3	6203-2Z/C3
90	6205-2Z/C3	6204-2Z/C3
100	6306-2Z/C3	6205-2Z/C3
112 ²⁾ short	6206-2Z/C3	6205-2Z/C3
112 ²⁾ long	6206-2Z/C3	6206-2Z/C3
132 ²⁾ short	6208-2Z/C3	6206-2Z/C3
132 ²⁾ long	6208-2Z/C3	6208-2Z/C3
160	6309-2Z/C3	6209-2Z/C3
180	6310-2Z/C3	6209-2Z/C3
200 ¹⁾	6312-2Z/C3	6209-2Z/C3
200	6312/C3	6210/C3
225 ¹⁾	6313/C3	6210/C3
225	6313/C3	6212/C3
250 ¹⁾	6315/C3	6212/C3
250	6315/C3	6213/C3
280 2-pole	6315/C3	6213/C3
280 4-8 pole	6316/C3	6213/C3

Alternative designs:

Version with roller bearings

It is recommended to use roller bearings in belt drives for motor sizes 160 - 280.

See variant code 037 under the heading "Bearings and lubrication".

Motor size	D-end	N-end
90	NU 205	-
100	NU 306	-
160	NU 309 ECP	-
180	NU 310 ECP	-
200	NU 312 ECP	-
225	NU 313 ECP	-
250	NU 315 ECP	-
280 2-pole	NU 315 ECP	-
280 4-8 pole	NU 316 ECP	-

Version with angular contact ball bearings

See variant codes 058 and 059 under the heading "Bearings and lubrication".

Motor size	D-end 058	N-end 059
90	7205 B	7204 B
100	7306 B	7205 B
112 ²⁾ short	7206 BE	7205 BE
112 ²⁾ long	7206 BE	7206 BE
132 ²⁾ short	7208 BE	7206 BE
132 ²⁾ long	7208 BE	7208 BE
160 ¹⁾	7309 BE	7209 BE
180 ¹⁾	7310 BE	7209 BE
200 ¹⁾	7312 BE	7210 BE
225 ¹⁾	7313 BE	7212 BE
250 ¹⁾	7315 BE	7213 BE
280 2-pole	7315 BE	7213 BE
280 4-8 pole	7316 BE	7213 BE

¹⁾ M2AA on request

²⁾ short: M2AA 112: M-2,M-4; M2AA 132: SA-2, SB-2, S-4, M-4
M3AA 112: M-6, M-8; M3AA 132: SA-2, S-4, S-6, MA-6,
MB-6, S-8, M-8, S-two-speed

long: remaining versions

¹⁾ M2AA

²⁾ short: M2AA 112: M-2,M-4; M2AA 132: SA-2, SB-2, S-4, M-4
M3AA 112: M-6, M-8; M3AA 132: SA-2, S-4, S-6, MA-6,
MB-6, S-8, M-8, S-two-speed

long: remaining versions

Transport locking

Motors provided with roller bearings or angular contact ball bearings are fitted with a transport lock to prevent damage to the bearings, due to vibration, during transport.

Axially-locked bearings

The table below shows which of the motor's bearings are axially locked in the bearing seat. In motor sizes 56 to 80 the locking is done by an inner bearing circlip, in motor sizes 90 to 280 by an inner bearing cover.

See also variant code 042 under the heading "Bearings and lubrication".

Motor size	Foot-mounted motors	Flange-mounted motors	
		Large flange	Small flange
56-63	On request at D-end	On request at D-end	On request at D-end
71-80	On request at D-end	D-end	On request at D-end
90-100	D-end ¹⁾	D-end ¹⁾	D-end ¹⁾
112-132	D-end ¹⁾	D-end	D-end
160-280	D-end	D-end	–

¹⁾ A spring-washer at the N-end presses the rotor toward the D-end.

Lubrication

The motors are delivered with bearing grease for use at normal temperatures in dry or humid environments. The motors are lubricated for ambient temperatures 40°C and in some cases even above 40°C, see table 1 next page.

Motor sizes 63-180 and M2AA 200 are provided with shielded bearings. On request, motor sizes 90 to 180 and M2AA 200 are provided with grease nipples for regreasing, see variant code 041 under the heading "Bearings and lubrications".

Motor sizes 200-280, except M2AA 200, are provided with grease nipples for re-greasing as standard.

The lubrication interval L_1 , suitable for relubricated bearings, is defined as the number of operating hours after which 99 per cent of the bearings are adequately lubricated.

Lubrication intervals and grease quantities are specified on a plate on the motor as well as in the manual supplied with the motor.

The grease lifetime L_{10} , suitable for permanent lubricated bearings, is defined as the number of operating hours after which 90 per cent of the bearings are adequately lubricated. 50 per cent of the bearings achieve two times this figure. Maximum lifetime, however, should be regarded as 40000 hours.

In case of high ambient temperatures the shaft loads must be reduced compared to permissible loadings in the table (see pages 18 to 21), please contact ABB.

Table 1: Grease lifetime L_{10} in deep groove ball bearings of type 2Z in horizontally mounted motors in continuous running duty.

Motor	r/min	Ambient temperature and rated output												
		25 °C		40 °C		50 °C		60 °C		70 °C		80 °C		
		Basic	High	Basic	High	Basic	High	Basic	High	Basic	High	Basic	High	
56-63	3000	40000	40000	40000	40000	40000	40000	40000	40000	40000	40000	40000	40000	27000
	1500													37000
	1000													
	750													32000
71	3000	40000	40000	40000	40000	40000	40000	40000	40000	40000	40000	40000	40000	27000
	1500													37000
	1000													
	750													32000
80	3000	40000	40000	40000	40000	40000	40000	40000	40000	40000	40000	40000	40000	27000
	1500													37000
	1000													
	750													32000
90	3000	40000	40000	40000	40000	40000	40000	40000	40000	40000	40000	40000	40000	27000
	1500													37000
	1000													
	750													32000
100	3000	40000	40000	40000	40000	40000	40000	40000	40000	40000	40000	40000	40000	27000
	1500													37000
	1000													
	750													32000
112	3000	40000	40000	40000	40000	40000	40000	40000	40000	40000	40000	40000	40000	27000
	1500													37000
	1000													
	750													32000
132	3000	40000	40000	40000	40000	40000	40000	40000	40000	40000	40000	40000	40000	27000
	1500													37000
	1000													
	750													32000
160	3000	40000	40000	40000	40000	40000	40000	40000	40000	40000	40000	40000	40000	27000
	1500													37000
	1000													
	750													32000
180	3000	40000	40000	40000	40000	40000	40000	40000	40000	40000	40000	40000	40000	27000
	1500													37000
	1000													
	750													32000
M2AA	3000	27000		27000		20000		11000						
200	1500	40000		38000		38000		22000						

In vertically mounted motors, the grease lifetime is half the figures above.

For applications corresponding to the empty cells in the table, please contact ABB. These applications can imply reduced lifetime for bearings and winding.

Lubrication intervals

ABB follows the L_1 -principle in defining lubrication interval. That means that 99% of the motors are sure to make the interval time. The lubrication intervals can also be calculated according to the L_{10} -principle, which are normally doubled

compared to L_1 -values. Values available from ABB at request.

The table below gives lubrication intervals according to the L_1 -principle for different speeds. The values are valid for horizontal mounted motors (B3), with about 80°C bear-

ing temperature and using good quality grease with lithium complex soap and with mineral or PAO-oil.

For more information, see ABB's Low Voltage Motors Manual.

Frame size	Amount of grease g	3600 r/min	3000 r/min	1800 r/min	1500 r/min	1000 r/min	500-750 r/min
Ball bearings: lubrication intervals in duty hours							
180	30	6000	8000	13500	16000	20000	23000
200	40	4000	6000	11000	13000	17000	21000
225	50	3000	5000	10000	12500	16500	20000
250	60	2500	4000	9000	11500	15000	18000
280	35	2000	3500	-	-	-	-
280	70	-	-	8000	10500	14000	17000

Frame size	Amount of grease g	3600 r/min	3000 r/min	1800 r/min	1500 r/min	1000 r/min	500-750 r/min
Roller bearings: lubrication intervals in duty hours							
180	30	3000	4000	7000	8000	10000	11500
200	40	2000	3000	5500	6500	8500	10500
225	50	1500	2500	5000	6000	8000	10000
250	60	1300	2200	4500	5700	7500	9000
280	35	1000	1800	-	-	-	-
280	70	-	-	4000	5300	7000	8500

Permissible loading on shaft

Pulley diameter

When the desired bearing life has been determined the minimum permissible pulley diameter can be calculated with FR, according to the formula:

$$D = \frac{1.9 \cdot 10^7 \cdot K \cdot P}{n \cdot F_R}$$

Bearing life

The nominal life is defined as the number of hours that are attained or exceeded by 90% of identical bearings, in a large test series, under certain specified conditions. 50% of the bearings attain a life of as much as 5 times this figure.

The life of bearings is dependent on various factors such as bearing load, motor speed, operating temperature and the purity of the grease. The permissible radial and axial loading for different motor sizes is shown in the table on the following pages.

The table is valid for 50 Hz. For 60 Hz and/or some other bearing life than specified in the table the values are changed according to the table on the right.

Permissible radial forces

The table at right shows the permissible radial force in Newton assuming zero axial force.

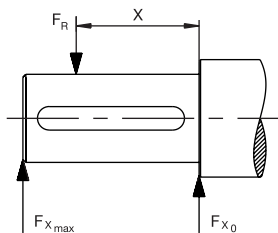
Permissible loads of simultaneous radial and axial forces will be supplied on request.

The bearing life, L_{10} , is calculated according to SKF's theory on bearing life $L_{10_{aah}}$, which also takes the purity of the grease into consideration. An adequate lubrication is a necessary prerequisite for the table at right.

If the radial force is applied between points X_0 and X_{max} , the permissible force F_R can be calculated from the following formula:

$$F_R = F_{X_0} - \frac{X}{E} (F_{X_0} - F_{X_{max}})$$

E = length of shaft extension in basic version.



M000021

where:

D = diameter of pulley, mm

P = power requirement, kW

n = motor speed, r/min.

K = belt tension factor, dependent on belt type and type of duty. A common value for V-belts is $K = 2.5$

F_R = permissible radial force according to the tables

The table values assume the occurrence of only radial or axial forces. In the case of simultaneous radial and axial forces information can be supplied on request. It is assumed that the radial force is applied at the end of the motor shaft.

Permissible force at changed bearing life or supply frequency

Bearing life in hours at		Permissible force, as percentage of value in tables
50 Hz	60 Hz	
25,000	21,000	100% of value for 25,000 hours
40,000	33,000	100% of value for 40,000 hours
63,000	52,000	86% of value for 40,000 hours
80,000	67,000	80% of value for 40,000 hours

Motor size	No. of poles	Length of shaft extension E (mm)	Ball bearings			
			Basic design with deep groove ball bearings			
			25,000 hrs		40,000 hrs	
			F_{X_0} (N)	$F_{X_{max}}$ (N)	F_{X_0} (N)	$F_{X_{max}}$ (N)
56	2	20	240	200	260	200
	4	20	300	200	280	200
	6	20	340	280	340	280
	8	20	340	280	340	280
63	2	23	490	400	490	400
	4	23	490	400	490	400
	8	23	490	400	490	400
71	2	30	680	570	680	570
	4	30	680	570	680	570
	6	30	680	570	680	570
	8	30	680	570	680	570
80	2	40	630	750	930	750
	4	40	930	750	930	750
	6	40	930	750	930	750
	8	40	930	750	930	750
90	2	50	1010	810	1010	810
	4	50	1010	810	1010	810
	6	50	1010	810	1010	810
	8	50	1010	810	1010	810
100 ¹⁾	2	60	2280	1800	2280	1800
	4	60	2280	1800	2280	1800
	6	60	2280	1800	2280	1800
	8	60	2280	1800	2280	1800

¹⁾ Basic design with 63-series bearings at the D-end.

Permissible radial forces

Motor sizes 112 to 180

Motor size	No. of poles	Length of shaft extension E (mm)	Ball bearings								Roller bearings				
			Basic design with deep groove ball bearings				Alternative design with 63-series bearings				Alternative design with roller bearings				
			25,000 hrs		40,000 hrs		25,000 hrs		40,000 hrs		25,000 hrs		40,000 hrs		
FX ₀ (N)	FX _{max} (N)	FX ₀ (N)	FX _{max} (N)	FX ₀ (N)	FX _{max} (N)	FX ₀ (N)	FX _{max} (N)	FX ₀ (N)	FX _{max} (N)	FX ₀ (N)	FX _{max} (N)	FX ₀ (N)	FX _{max} (N)		
112 M	2	60	1800	1420	1620	1280	2160	1700	2160	1700					
	4	60	1790	1410	1590	1250	2160	1700	2160	1700					
	6	60	1910	1510	1700	1340	2160	1700	2160	1700					
	8	60	1940	1530	1720	1360	2160	1700	2160	1700					
112 MB	2	60	1820	1470	1640	1330	2100	1700	2100	1700					
	4	60	1770	1430	1560	1260	2100	1700	2100	1700					
	6	60	1880	1520	1650	1340	2100	1700	2100	1700					
	8	60	1930	1560	1690	1370	2100	1700	2100	1700					
132 SA	2	80	3020	2360	2740	2140	4070	3180	3670	2870					
132 SB	2	80	3020	2360	2730	2130	4060	3170	3670	2870					
132 SC	2	80	3030	2430	2750	2200	3990	3200	3690	2960					
132 S	4	80	3120	2440	2790	2180	4090	3200	3830	2990					
132 M	4	80	3080	2410	2750	2150	4100	3200	3780	2950					
132 MB	4	80	3050	2440	2710	2170	3990	3200	3740	3000					
132 S	6	80	3280	2560	2910	2270	4100	3200	3990	3120					
132 MA	6	80	3240	2530	2880	2250	4100	3200	3970	3100					
132 MB	6	80	3200	2500	2840	2220	4100	3200	3930	3070					
132 MC	6	80	3010	2510	2660	2220	3840	3200	3700	3090					
132 S	8	80	3370	2630	2980	2330	4100	3200	4100	3200					
132 M	8	80	3310	2590	2940	2300	4100	3200	4060	3170					
132 MB	8	80	3280	2630	2910	2330	3990	3200	3990	3200					
160 MA	2	110	4470	3500	4470	3500					4470	3500	4470	3500	
	8	110	4470	3500	4470	3500					4470	3500	4470	3500	
	160 M	2	110	4470	3500	4470	3500					4470	3500	4470	3500
		4	110	4470	3500	4470	3500					4470	3500	4470	3500
		6	110	4470	3500	4470	3500					4470	3500	4470	3500
8	110	4470	3500	4470	3500					4470	3500	4470	3500		
160 L	2	110	4470	3500	4470	3500					4470	3500	4470	3500	
	4	110	4470	3500	4470	3500					4470	3500	4470	3500	
	6	110	4470	3500	4470	3500					4470	3500	4470	3500	
	8	110	4380	3500	4380	3500					4380	3500	4380	3500	
160 LB	2	110	4470	3500	4470	3500					4470	3500	4470	3500	
	4	110	4470	3500	4470	3500					4470	3500	4470	3500	
	6	110	4380	3500	4380	3500					4380	3500	4380	3500	
	8	110	4380	3500	4380	3500					4380	3500	4380	3500	
180 M	2	110	6900	5550	6360	5110					7338	5900	7340	5900	
	4	110	7100	5710	6470	5200					7338	5900	7340	5900	

Permissible radial forces Motor sizes 180 to 280

Motor size	No. of poles	Length of shaft extension E (mm)	Ball bearings				Roller bearings			
			Basic design with deep groove ball bearings				Alternative design with roller bearings			
			25,000 hrs		40,000 hrs		25,000 hrs		40,000 hrs	
		FX ₀ (N)	FX _{max} (N)	FX ₀ (N)	FX _{max} (N)	FX ₀ (N)	FX _{max} (N)	FX ₀ (N)	FX _{max} (N)	
180 L	4	110	7050	5670	6410	5150	7340	5900	7340	5900
	6	110	7340	5900	6840	5500	7340	5900	7340	5900
	8	110	7340	5900	6930	5570	7340	5900	7340	5900
180 LB	2	110	6900	5550	6360	5110	7340	5900	7340	5900
	4	110	6990	5670	6350	5150	7280	5900	7280	5900
	6	110	7280	5900	6780	5500	7280	5900	7280	5900
M2AA 200	8	110	7280	5900	6870	5570	7280	5900	7280	5900
	2	110	7000	5800	6300	5200	9100	7500	8100	6700
	4	110	6700	5500	5900	4900	9500	7800	8600	7100
M3AA 200 MLA	2	110	4940	4070	4370	3600	9460	7790	9460	7790
	4	110	5360	4410	4690	3860	9460	7790	9460	7790
	6	110	5590	4600	4850	3990	9460	7790	9460	7790
	8	110	5680	4680	4910	4040	9460	7790	9460	7790
M3AA 200 MLB	2	110	4930	4060	4360	3590	9460	7790	9460	7790
	4	110	5290	4360	4630	3810	9460	7790	9460	7790
	6	110	5510	4540	4780	3940	9460	7790	9460	7790
	8	110	5670	4670	4890	4030	9460	7790	9460	7790
M3AA 200 MLC	2	110	4920	4050	4360	3590	9460	7790	9460	7790
	6	110	5380	4430	4640	3820	9460	7790	9460	7790
225 SMA	4	140	5830	4930	5100	4320	9810	8300	9810	8300
	8	140	6400	5420	5550	4700	9810	8300	9810	8300
225 SMB	2	110	5400	4530	4780	4010	10600	8900	10600	8900
	4	140	5750	4870	5030	4260	9810	8300	9810	8300
	6	140	6000	5080	5200	4400	9810	8300	9810	8300
	8	140	6320	5350	5470	4630	9810	8300	9810	8300
225 SMC	2	110	5370	4510	4750	3990	10600	8900	10600	8900
	4	140	5720	4840	5000	4230	9810	8300	9810	8300
	6	140	5930	5020	5130	4340	9810	8300	9810	8300
	8	140	6180	5230	5320	4500	9810	8300	9810	8300
250 SMA	2	140	6970	5620	6180	4980	11290	9100	11290	9100
	4	140	7693	6200	6750	5440	14330	11550	14330	11550
	6	140	7978	6430	6940	5590	14330	11550	14330	11550
	8	140	8250	6650	7150	5760	14330	11500	14330	11550
250 SMB	2	140	6960	5610	6150	4960	11290	9100	11290	9100
	4	140	7620	6140	6680	5380	14330	11550	14330	11550
	6	140	7940	6400	6900	5560	14330	11550	14330	11550
	8	140	8180	6590	7070	5700	14330	11550	14330	11550
280 SMA	2	140	6650	5400	5850	4750	15260	12400	13790	11200
	4	140	7750	6300	6890	5600	18460	15000	16560	13450
	6	140	8810	7100	7760	6250	21090	17000	18860	15200
	8	140	9000	7250	7880	6350	21840	17600	19360	15600
280 SMB	2	140	6460	5250	5720	4650	15260	12400	13790	11200
	4	140	7510	6100	6590	5350	17850	14500	16060	13050

Permissible axial forces

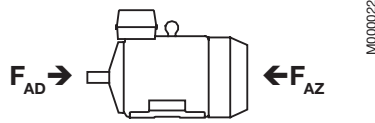
The following tables give the permissible axial forces in Newton, assuming zero radial force. The values are based on normal conditions at 50 Hz with standard bearings and calculated bearing lives of 20,000 and 40,000 hours.

At 60 Hz the values are to be reduced by 10%.

For two-speed motors, the values are to be based on the higher speed. The permissible loads of simultaneous radial and axial forces will be supplied on request.

Given axial forces F_{AD} , assumes D-bearing locked by means of locking ring.

Mounting arrangement IM B3

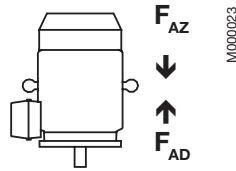


M000022

Motor size	20,000 hours								40,000 hours							
	2-pole		4-pole		6-pole		8-pole		2-pole		4-pole		6-pole		8-pole	
	F_{AD} N	F_{AZ} N	F_{AD} N	F_{AZ} N	F_{AD} N	F_{AZ} N	F_{AD} N	F_{AZ} N	F_{AD} N	F_{AZ} N	F_{AD} N	F_{AZ} N	F_{AD} N	F_{AZ} N	F_{AD} N	F_{AZ} N
56	470	230	520	280	540	300	540	300	430	190	470	230	480	240	480	240
63	790	390	865	465	-	-	895	495	720	320	780	380	-	-	895	495
71	985	485	1070	570	1135	635	1130	630	900	400	970	470	1020	520	1015	515
80	1305	705	1420	820	1505	905	1540	940	1185	585	1285	685	1350	750	1375	775
90	1360	930	1490	1070	1590	1165	1635	1210	1225	800	1335	915	1415	990	1450	1025
100	2805	1945	3075	2215	3260	2400	3355	2495	2540	1680	2760	1900	2910	2050	2985	2125
112 M	1500	1500	1600	1600	1730	1730	1750	1750	1320	1320	1390	1390	1500	1500	1510	1510
112 MB	1530	1530	1600	1600	1720	1720	1760	1760	1340	1340	1390	1390	1490	1490	1520	1520
132 SA	2570	2570	-	-	-	-	-	-	2260	2260	-	-	-	-	-	-
132 SB	2570	2570	-	-	-	-	-	-	2260	2260	-	-	-	-	-	-
132 SC	2520	2520	-	-	-	-	-	-	2210	2210	-	-	-	-	-	-
132 S	-	-	2770	2770	2950	2950	3040	3040	-	-	2440	2440	2580	2580	2650	2650
132 M	-	-	2750	2750	-	-	3020	3020	-	-	2420	2420	-	-	2630	2630
132 MA	-	-	-	-	2940	2940	-	-	-	-	-	-	2570	2570	-	-
132 MB	-	-	2680	2680	2910	2910	2940	2940	-	-	2340	2340	2550	2550	2560	2560
132 MC	-	-	-	-	2830	2830	-	-	-	-	-	-	2460	2460	-	-
160 MA	4730	4730	-	-	-	-	5240	5240	4220	4220	-	-	-	-	4640	4640
160 M	4730	4730	5230	5230	5220	5220	5220	5220	4220	4220	4640	4640	4630	4630	4630	4630
160 L	5240	5240	5220	5220	5050	5050	4720	4720	4650	4650	4630	4630	4470	4470	4740	4740
160 LB	4240	4240	5050	5050	4720	4720	4720	4720	4650	4650	4470	4470	4740	4740	4740	4740
180 M	4660	4660	4950	4950	-	-	-	-	4250	4250	4500	4500	-	-	-	-
180 L	-	-	4870	4870	5200	5200	5370	5370	-	-	4390	4390	4710	4710	4850	4850
180 LB	4660	4660	4870	4870	5200	5200	5370	5370	4250	4250	4390	4390	4710	4710	4850	4850
200 MLA	3050	3050	3850	3850	4400	4400	4850	4850	2430	2430	3050	3050	3500	3500	3850	3850
200 MLB	3050	3050	3850	3850	4400	4400	4850	4850	2430	2430	3050	3050	3500	3500	3850	3850
200 MLC	3050	3050	-	-	4400	4400	-	-	2430	2430	-	-	3500	3500	-	-
225 SMA	-	-	4340	4340	-	-	5460	5460	-	-	3440	3440	-	-	4340	4340
225 SMB	3440	3440	4340	4340	4960	4960	5460	5460	2730	2730	3440	3440	3940	3940	4340	4340
225 SMC	3440	3440	4340	4340	4960	4960	5460	5460	2730	2730	3440	3440	3940	3940	4340	4340
250 SMA	4180	4180	5260	5260	6020	6020	6630	6630	3320	3320	4180	4180	4780	4780	5260	5260
250 SMB	4180	4180	5260	5260	6020	6020	6630	6630	3320	3320	4180	4180	4780	4780	5260	5260
280 SMA	5000	5000	6200	6200	7100	7100	7350	7350	4500	4500	5400	5400	6250	6250	6500	6500
280 SMB	5000	5000	6100	6100	-	-	-	-	4400	4400	5300	5300	-	-	-	-

Permissible axial forces

Mounting arrangement IM V1




Motor size	20,000 hours								40,000 hours							
	2-pole		4-pole		6-pole		8-pole		2-pole		4-pole		6-pole		8-pole	
	F _{AD} N	F _{AZ} N	F _{AD} N	F _{AZ} N	F _{AD} N	F _{AZ} N	F _{AD} N	F _{AZ} N	F _{AD} N	F _{AZ} N	F _{AD} N	F _{AZ} N	F _{AD} N	F _{AZ} N	F _{AD} N	F _{AZ} N
56	470	230	520	270	540	290	540	290	430	190	470	230	480	240	480	240
63	790	380	875	455	-	-	905	485	725	310	790	370	-	-	810	390
71	998	470	1085	555	1150	620	1145	615	910	385	985	455	1035	505	1030	500
80	1320	685	1445	790	1530	880	1565	915	1200	565	1310	655	1375	725	1400	750
90	1390	900	1525	1035	1625	1130	1670	1180	1255	770	1370	880	1450	955	1485	990
100	2855	1890	3135	2155	3320	2340	3420	2425	2590	1625	2820	1840	2970	1990	3050	2060
112 M	2290	2170	2490	2330	2680	2510	2770	2590	2030	1910	2190	2030	2350	2180	2410	2230
112 MB	2340	2170	2520	2300	2700	2480	2790	2570	2080	1910	2220	2000	2360	2140	2430	2210
132 SA	3550	3370	-	-	-	-	-	-	3160	2980	-	-	-	-	-	-
132 SB	3560	3360	-	-	-	-	-	-	3170	2970	-	-	-	-	-	-
132 SC	3550	3270	-	-	-	-	-	-	3160	2880	-	-	-	-	-	-
132 S	-	-	3910	3630	4160	3880	4320	3990	-	-	3460	3180	3660	3380	3780	3450
132 M	-	-	3910	3590	-	-	4330	3930	-	-	3450	3130	-	-	3790	3390
132 MA	-	-	-	-	4180	3850	-	-	-	-	-	-	3670	3340	-	-
132 MB	-	-	3880	3460	4180	3780	4260	3840	-	-	3430	3010	3680	3280	3730	3310
132 MC	-	-	-	-	4110	3690	-	-	-	-	-	-	3610	3190	-	-
160 MA	4940	4520	-	-	-	-	5520	4960	4430	4010	-	-	-	-	4920	4360
160 M	4960	4500	5500	4960	5540	4900	5540	4900	4450	3990	4910	4370	4950	4310	4950	4310
160 L	5520	4960	5560	4880	5420	4680	5170	4280	4930	4370	4970	4290	4840	4100	5190	4300
160 LB	5540	4940	5420	4680	5170	4280	5170	4280	4950	4350	4840	4100	5190	4300	5190	4300
180 M	4990	4330	5400	4500	-	-	-	-	4580	3920	4950	4050	-	-	-	-
180 L	-	-	5390	4350	5770	4630	5930	4810	-	-	4910	3870	5280	4140	5410	4290
180 LB	5040	4280	5470	4270	5810	4590	5980	4760	4630	3870	4990	3790	5320	4100	5460	4240
200 MLA	3600	2500	4580	3120	5280	3530	5720	3980	2970	1870	3780	2320	4370	2620	4720	2980
200 MLB	3600	2500	4580	3120	5280	3530	5720	3980	2970	1870	3780	2320	4370	2620	4720	2980
200 MLC	3600	2500	-	-	5280	3530	-	-	2970	1870	-	-	4370	2620	-	-
225 SMA	-	-	5230	3440	-	-	6530	4400	-	-	4330	2550	-	-	5400	3270
225 SMB	4140	2740	5230	3440	6030	3900	6530	4400	3430	2030	4330	2550	5010	2870	5400	3270
225 SMC	4140	2740	5230	3440	6030	3900	6530	4400	3430	2030	4330	2550	5010	2870	5400	3270
250 SMA	5020	3330	6380	4150	7440	4610	8050	5210	4160	2470	5290	3060	6200	3360	6680	3840
250 SMB	5020	3330	6380	4150	7440	4610	8050	5210	4160	2470	5290	3060	6200	3360	6680	3840
280 SMA	5950	4050	7380	5010	8540	5660	8810	5890	5450	3550	6580	4210	7690	4810	7960	5040
280 SMB	5950	4050	7380	5010	-	-	-	-	5450	3550	6580	4210	-	-	-	-

Rating plates

Single-speed motors of size 56 to 132 are stamped with 50 and 60 Hz at voltage code S and D. The current rating for each voltage range is specified on the rating plate. It represents the highest current that can exist within the voltage range at the rated output. The power factor and speed specified on the rating plate apply at 400 V 50 Hz and 460 V 60 Hz.


Single-speed motors of size 160 to 280 are stamped with 50 and 60 Hz at voltage code S and D. The rating plate is arranged in the form of a table with values for current, power factor and motor speed at six voltages.

Motor sizes 56 to 71

ABB Motors 					
Cl.F IP55 IEC 34					
Motor 3~ M2VA71B-4					
○ 3GVA072002-ASA ○					
43/2002		cos φ 0.69/0.74			
1.1 AY 1.9 A Δ		Hz	r/min	kW	
V380-420Y/220-240 Δ		50	1420	0.37	
V440-480Y/250-280 Δ		60	1700	0.45	



M000024

Motor sizes 80

ABB Motors 						
Motor 3~ CL. F IP55 IEC 34-1						
○ M2VA80B-4			3GVA082002-ASA ○			
43/2002		Hz	r/min	kW	A	cos φ
V 380-420 Y 220-240 Δ		50	1410	0.75	2.0/3.5	0.74
V 440-480 Y 250-280 Δ		60	1690	0.90	1.9/3.3	0.77



M000025

Motor sizes 90 to 100

⊕ ABB Motors   ⊕					
3-Motor M2AA 090 L-4 CL.F IP 55 IEC 60034-1					
3GAA092002-ADE					
N°.					
V	Hz	r/min	kW	A	cos φ
660-690 Y	50	1420	1,50	2,00	0,79
380-420 D	50	1420	1,50	3,50	0,79
440-480 D	60	1710	1,75	3,50	0,79
IM1001					
6205-2Z/C3		6204-2Z/C3		16 kg	



M000026

Motor sizes 112 to 132

⊕ ABB   ⊕					
3~Motor M3AA 132M CL.F IP 55 IEC 60034-1					
3G AA 132024-ADC					
No.					
V	Hz	r/min	kW	A	cos φ
660-690 Y	50	1450	7,5	8,4	0,87
380-420 Δ	50	1450	7,5	14,6	0,87
440-480 Δ	60	1750	8,6	14,3	0,87
6208-2Z/C3 6208-2Z/C3 59 kg					

M000027

Motor sizes 160 to 280

⊕ ABB   ⊕							
3 Motor M3AA 160 L 4							
~ IEC 160 M/L 42							
No							
Ins.cl. F			IP 55				
V	Hz	kW	r/min	A	cos φ	I _a /I _N	t _e /s
690 Y	50	15	1460	16.7	0.82		
400 Δ	50	15	1460	29	0.82		
660 Y	50	15	1455	17.3	0.84		
380 Δ	50	15	1455	30	0.84		
415 Δ	50	15	1465	28	0.81		
440 Δ	60	18	1750	30	0.84		
Prod.code 3GAA 162 102-ADC							
6309-2Z/C3		6209-2Z/C3		103 kg			
3GV 193 014-11 IEC 60034-1							

M000028

Ordering information

When placing an order, please state the following minimum data in the order, as in the example.

The product code of the motor is composed in accordance with the following example.

Motor type	M3AA 112 MB
Pole number	4
Mounting arrangement (IM-code)	IM B3 (IM 1001)
Rated output	5.5 kW
Product code	3GAA 112002-ACD
Variant codes if needed	

Motor size

A	B	C	D, E, F	
M3AA	112 MB	3GAA 112 002 -	ADC, 122, 043, etc.	
		1 2 3 4 5 6 7 8 9 10 11 12 13 14...		
				A Motor type B Motor size C Product code D Code for mounting arrangement E Voltage and frequency code F Generation code followed by variant codes

Explanation of the product code

Positions 1 to 4

3GAA/3GVA =

Totally enclosed motor with aluminum stator frame

Position 4

Type of rotor

A = Squirrel cage rotor

Positions 5 and 6

IEC size

05 = 56	13 = 132
06 = 63	16 = 160
07 = 71	18 = 180
08 = 80	20 = 200
09 = 90	22 = 225
10 = 100	25 = 250
11 = 112	28 = 280

Position 7

Pole pairs

1 = 2 poles
2 = 4 poles
3 = 6 poles
4 = 8 poles
5 = 10 poles
6 = 12 poles
7 = > 12 poles
8 = Two-speed motors
9 = Multi-speed motors

Positions 8 to 10

Running number

Position 11

- (dash)

Position 12

Mounting arrangement

A = Foot-mounted motor
B = Flange-mounted motor. Large flange with clearance holes.
C = Flange-mounted motor. Small flange with tapped holes.
F = Foot- and flange-mounted motor. Special flange.
H = Foot- and flange-mounted motor. Large flange with clearance holes.
J = Foot- and flange-mounted motor. Small flange with tapped holes.
N = Flange-mounted (CI ring flange FF)
P = Foot-and flange-mounted motor (CI ring flange FF)
V = Flange-mounted motor. Special flange.

Position 13

Voltage and frequency: See tables below

Position 14

Version A,B,C... =

Generation code followed by variant codes

Code letters for supplementing the product code - single speed motors

Motor size	Code letter for voltage and frequency Direct start or, with Δ-connection, also Y/Δ-start									
	S		D		H	E	F	T	U	X
	50 Hz	60 Hz	50 Hz	60 Hz	50 Hz	50 Hz	50 Hz	50 Hz	50 Hz	50 Hz
56-100	220-240 VΔ 380-420 VY	440-480 VY	380-420 VΔ 660-690 VY	440-480 VΔ -	-	500 VΔ ¹⁾	500 VY	660 VΔ ¹⁾	690 VΔ ¹⁾	Other rated voltage, connection or frequency, 690 V maximum
112-132	220-240 VΔ 380-420 VY	- 440-480 VY	380-420 VΔ 660-690 VY	440-480 VΔ -	415 VΔ	500 VΔ	500 VY	660 VΔ	690 VΔ	
160-280	220, 230 VΔ 380,400,415 VY	- 440 VY	380,400,415VΔ 660, 690 VY	440 VΔ -	415 VΔ	500 VΔ	500 VY	660 VΔ	690 VΔ	

¹⁾ On request.

Code letters for supplementing the product code - two-speed motors

Motor size	Code letter for voltage and frequency						
	A	S	B	D	H	E	X
56-100	-	220-230 V	-	380-400 V	400-415 V	500 V	
112-132	-	220-230 V	-	380-400 V	400-415 V	500 V	Other rated voltage or frequency, 690 V maximum
160-280	220 V	230 V	380 V	400 V	415 V	500 V	

General purpose aluminum motors

Technical data for totally enclosed squirrel cage three phase motors



IP 55 – IC 411 – Insulation class F, temperature rise class B

Output kW	Motor type	Product code	Speed r/min	Efficiency		Power factor cos φ	Current		Torque			
				Full load 100%	3/4 load 75%		I _N	I _s	T _N	T _s	T _{max}	
3000 r/min = 2-poles			400 V 50 Hz			Basic design						
0.09	M2VA 56 A	3GVA 051 001-••A	2820	59.8	53.3	0.69	0.32	3.9	0.31	2.9	2.7	
0.12	M2VA 56 B	3GVA 051 002-••A	2840	67.2	63.8	0.64	0.41	4.1	0.41	3.2	2.8	
0.18	M2VA 63 A	3GVA 061 001-••C	2820	73.7	70.6	0.64	0.56	4.2	0.62	3.5	3.1	
0.25	M2VA 63 B	3GVA 061 002-••C	2810	77.5	75.8	0.71	0.66	4.5	0.87	3.6	3.3	
0.37	M2VA 71 A	3GVA 071 001-••C	2840	77.1	76.5	0.72	1	5.5	1.25	3.8	3.9	
0.55	M2VA 71 B	3GVA 071 002-••C	2830	79.2	78.2	0.76	1.35	5.7	1.86	3.6	3.7	
0.75	M2VA 80 A	3GVA 081 001-••B	2870	81.2	79.3	0.75	1.8	6.2	2.49	2.9	3.6	
1.1	M2VA 80 B	3GVA 081 002-••B	2850	81.4	79.5	0.78	2.5	6.1	3.69	2.3	3.5	
1.5	M2AA 90 S	3GAA 091 001-••E	2870	80.1	76.2	0.82	3.35	5.5	5	2.4	3.0	
2.2	M2AA 90 L	3GAA 091 002-••E	2885	83.6	83.9	0.87	4.37	6.0	7.5	2.5	3.0	
3	M2AA 100 L	3GAA 101 001-••E	2900	86.0	84.1	0.88	5.95	7.5	10	2.7	3.6	
4	M2AA 112 M	3GAA 111 101-••E	2895	85.7	86.1	0.90	7.6	7.2	13.2	2.7	3.3	
4	M2AA 112 M	3GAA 111 001-••A	2850	86.0	86.0	0.91	7.4	7.5	13.4	2.8	3.0	
5.5	M2AA 132 SA	3GAA 131 001-••A	2855	86.0	86.0	0.88	10.5	6.8	18.3	2.7	3.5	
7.5	M2AA 132 SB	3GAA 131 002-••A	2855	87.0	87.0	0.90	13.9	7.2	25	3.2	3.8	
11 ¹⁾	M2AA 160 MA	3GAA 161 111-••A	2915	88.4	88.9	0.89	20.5	6.2	36	2.1	2.5	
15 ¹⁾	M2AA 160 M	3GAA 161 112-••A	2900	89.5	89.9	0.90	27	6.1	49.4	2.4	2.6	
18.5 ¹⁾	M2AA 160 L	3GAA 161 113-••A	2915	90.2	90.5	0.91	32.5	6.8	61	2.6	3.0	
22 ¹⁾	M2AA 180 M	3GAA 181 111-••A	2925	91.2	91.3	0.89	39	7.9	72	2.8	3.2	
30 ¹⁾	M2AA 200 LA	3GAA 201 011-••A	2945	92.0	92.0	0.88	53	7.9	97	3.0	3.7	
37 ^{1) 2)}	M2AA 200 L	3GAA 201 012-••A	2945	92.8	92.9	0.89	65	8.2	120	3.1	3.6	
45	M2AA 225 M	3GAA 221 011-••A	2940	93.0	93.0	0.88	80	7.7	146	2.8	3.0	
55 ¹⁾	M2AA 250 M	3GAA 251 011-••A	2960	93.5	93.8	0.90	95	7.3	177	2.8	3.0	

¹⁾ Temperature rise class F for 380 V 50 Hz.

²⁾ Temperature rise class F for 415 V 50 Hz.

The bullets in the product code indicate choice of mounting arrangement, voltage and frequency, generation code (see ordering information page).

General purpose aluminum motors

Technical data for totally enclosed squirrel cage three phase motors

IP 55 – IC 411 – Insulation class F, temperature rise class B

Output kW	Motor type	Speed r/min	Efficiency %	Power factor cos φ	Current I _N A	Speed r/min	Efficiency %	Power factor cos φ	Current I _N A	Moment of inertia J=1/4 GD ² kgm ²	Weight kg	Sound pressure level L _p dB(A)
3000 r/min = 2-poles		380 V 50 Hz				415 V 50 Hz						
0.09	M2VA 56 A	2805	58.6	0.72	0.32	2830	57.8	0.65	0.34	0.00011	3.2	48
0.12	M2VA 56 B	2825	69.2	0.68	0.4	2850	64.5	0.59	0.45	0.00012	3.4	48
0.18	M2VA 63 A	2815	74.6	0.69	0.53	2830	72.5	0.60	0.58	0.00013	3.9	54
0.25	M2VA 63 B	2800	78.5	0.75	0.64	2830	76.2	0.67	0.69	0.00016	4.4	54
0.37	M2VA 71 A	2830	77.3	0.75	1	2855	75.6	0.68	1.05	0.0004	5.5	58
0.55	M2VA 71 B	2820	80.2	0.81	1.31	2845	77.7	0.73	1.38	0.00045	6.5	58
0.75	M2VA 80 A	2850	82.2	0.80	1.73	2880	79.2	0.68	1.9	0.00072	9	60
1.1	M2VA 80 B	2830	81.1	0.84	2.47	2870	80.2	0.74	2.6	0.00076	11	60
1.5	M2AA 90 S	2850	79.7	0.88	3.4	2890	79.8	0.79	3.4	0.0019	13	63
2.2	M2AA 90 L	2860	83.0	0.89	4.6	2890	83.3	0.84	4.2	0.0024	16	63
3	M2AA 100 L	2890	86.0	0.90	6.15	2910	86.0	0.85	5.95	0.0041	21	65
4	M2AA 112 M	2890	85.2	0.91	7.76	2900	85.7	0.87	7.06	0.0061	28	67
4	M2AA 112 M	2830	85.0	0.92	7.8	2865	86.5	0.90	7.2	0.01	25	63
5.5	M2AA 132 SA	2840	85.0	0.90	10.9	2865	86.5	0.87	10.2	0.014	37	69
7.5	M2AA 132 SB	2850	86.0	0.91	14.7	2870	87.5	0.88	13.6	0.016	42	69
11 ¹⁾	M2AA 160 MA	2905	87.9	0.90	21.5	2920	88.7	0.88	20	0.039	73	73
15 ¹⁾	M2AA 160 M	2890	88.9	0.91	28.5	2905	89.8	0.90	26	0.047	84	73
18.5 ¹⁾	M2AA 160 L	2905	89.2	0.91	34.5	2925	90.4	0.90	31.5	0.053	94	73
22 ¹⁾	M2AA 180 M	2915	90.5	0.91	40.5	2930	91.4	0.87	38.5	0.06	111	75
30 ¹⁾	M2AA 200 LA	2940	91.4	0.89	56	2950	92.1	0.86	52	0.094	139	75
37 ¹⁾²⁾	M2AA 200 L	2940	92.3	0.91	67	2950	92.9	0.88	63	0.115	170	75
45	M2AA 225 M	2940	93.2	0.89	83	2950	93.8	0.87	78	0.21	209	75
55 ¹⁾	M2AA 250 M	2955	93.9	0.90	100	2965	94.3	0.88	93	0.31	277	74

2

Recalculation factors

Recalculation factors for current at rated voltages other than 400 V 50 Hz.			
Rated voltage at 50 Hz and motor wound for	Recalculation factor	Rated voltage at 50 Hz and motor wound for	Recalculation factor
220 V	1.82	500 V	0.80
230 V	1.74	660 V	0.61
415 V	0.96	690 V	0.58

General purpose aluminum motors

Technical data for totally enclosed squirrel cage three phase motors



IP 55 – IC 411 – Insulation class F, temperature rise class B

Output kW	Motor type	Product code	Speed r/min	Efficiency		Power factor cos φ	Current		Torque			
				Full load 100%	3/4 load 75%		I _N	I _s	T _N	T _s	T _{max}	
1500 r/min = 4-poles			400 V 50 Hz			Basic design						
0.06	M2VA 56 A	3GVA 052 001-••A	1340	51.1	45.8	0.67	0.26	2.5	0.43	2.2	2.2	
0.09	M2VA 56 B	3GVA 052 002-••A	1370	55.5	50.2	0.62	0.38	2.8	0.63	2.9	2.9	
0.12	M2VA 63 A	3GVA 062 001-••C	1400	63.7	58.4	0.59	0.46	3.1	0.82	2.6	2.6	
0.18	M2VA 63 B	3GVA 062 002-••C	1380	65.6	62.1	0.64	0.63	3.1	1.25	2.5	2.6	
0.25	M2VA 71 A	3GVA 072 001-••C	1410	70.4	69.1	0.71	0.74	4.3	1.71	2.7	2.9	
0.37	M2VA 71 B	3GVA 072 002-••C	1420	74.6	72.1	0.69	1.05	4.4	2.51	2.6	2.8	
0.55	M2VA 80 A	3GVA 082 001-••B	1390	75.3	73.1	0.76	1.4	4.6	3.75	2.6	2.9	
0.75	M2VA 80 B	3GVA 082 002-••B	1410	78.2	75.6	0.74	1.9	4.7	5.08	3.5	3.9	
1.1	M2AA 90 S	3GAA 092 001-••E	1410	77.5	76.4	0.81	2.59	5.0	7.5	2.2	2.7	
1.5	M2AA 90 L	3GAA 092 002-••E	1420	80.3	78.1	0.79	3.45	5.0	10	2.4	2.9	
2.2	M2AA 100 LA	3GAA 102 001-••E	1430	83.0	82.7	0.81	4.8	5.5	15	2.4	2.9	
3	M2AA 100 LB	3GAA 102 002-••E	1430	85.0	83.9	0.81	6.48	5.5	20	2.5	2.9	
4	M2AA 112 M	3GAA 112 101-••E	1425	84.9	85.4	0.85	8	6.5	26.8	2.5	2.9	
4	M2AA 112 M	3GAA 112 001-••A	1435	84.5	85.5	0.80	8.6	7.0	27	2.8	3.0	
5.5	M2AA 132 S	3GAA 132 001-••A	1450	87.0	87.0	0.83	11.1	6.9	36	2.2	3.0	
7.5	M2AA 132 M	3GAA 132 002-••A	1450	88.0	88.0	0.83	14.8	7.9	49	2.5	3.2	
11	²⁾ M2AA 160 M	3GAA 162 111-••A	1460	89.1	89.8	0.81	22	6.5	72	2.7	2.7	
15	²⁾ M2AA 160 L	3GAA 162 112-••A	1460	90.4	91.0	0.82	29	7.1	98	2.7	3.3	
18.5	²⁾ M2AA 180 M	3GAA 182 111-••A	1460	91.1	91.5	0.81	36.5	7.6	121	3.1	3.5	
22	²⁾ M2AA 180 L	3GAA 182 112-••A	1460	91.8	92.3	0.82	42	7.9	144	3.1	3.8	
30	²⁾ M2AA 200 L	3GAA 202 011-••A	1470	92.0	92.1	0.80	59	7.8	195	3.0	3.4	
37	²⁾ M2AA 225 S	3GAA 222 011-••A	1475	92.8	93.0	0.85	68	6.8	240	3.0	3.1	
45	²⁾ M2AA 225 M	3GAA 222 012-••A	1475	93.0	93.1	0.84	84	8.1	291	3.5	3.2	
55	²⁾ M2AA 250 M	3GAA 252 011-••A	1475	93.7	94.3	0.84	98	6.8	356	2.5	2.6	

¹⁾ On request.

²⁾ Temperature rise class F for 380 V 50 Hz.

General purpose aluminum motors

Technical data for totally enclosed squirrel cage three phase motors

IP 55 – IC 411 – Insulation class F, temperature rise class B

Output kW	Motor type	Speed r/min	Efficiency %	Power factor cos φ	Current I _N A	Speed r/min	Efficiency %	Power factor cos φ	Current I _N A	Moment of inertia J=1/4 GD ² kgm ²	Weight kg	Sound pressure level L _p dB(A)
1500 r/min = 4-poles		380 V 50 Hz				415 V 50 Hz						
0.06	M2VA 56 A	1335	50.5	0.70	0.26	1360	49.9	0.63	0.28	0.00017	3.2	36
0.09	M2VA 56 B	1360	57.1	0.66	0.37	1390	54.9	0.58	0.4	0.00018	3.4	36
0.12	M2VA 63 A	1390	63.1	0.63	0.44	1400	62.5	0.55	0.49	0.00019	4	40
0.18	M2VA 63 B	1370	66.9	0.67	0.63	1400	64.3	0.59	0.67	0.00026	4.5	40
0.25	M2VA 71 A	1400	69.9	0.74	0.75	1420	69.2	0.67	0.77	0.00066	5.5	45
0.37	M2VA 71 B	1410	74.6	0.73	1.02	1430	73.4	0.65	1.1	0.00089	6.5	45
0.55	M2VA 80 A	1380	75.5	0.82	1.35	1400	73.8	0.68	1.55	0.00126	9	50
0.75	M2VA 80 B	1400	78.7	0.81	1.8	1410	76.0	0.67	2.05	0.00157	10.5	50
1.1	M2AA 90 S	1410	76.3	0.83	2.66	1430	77.7	0.76	2.6	0.0032	13	50
1.5	M2AA 90 L	1420	79.9	0.82	3.5	1430	80.3	0.77	3.45	0.0043	16	50
2.2	M2AA 100 LA	1430	83.0	0.83	4.83	1430	83.0	0.78	4.85	0.0069	21	64
3	M2AA 100 LB	1430	85.0	0.85	6.58	1430	85.0	0.77	6.55	0.0082	24	66
4	M2AA 112 M	1425	¹⁾	¹⁾	¹⁾	1440	¹⁾	¹⁾	¹⁾	0.01	28	60
4	M2AA 112 M	1425	84.0	0.80	8.9	1440	85.0	0.75	8.8	0.015	27	56
5.5	M2AA 132 S	1445	86.0	0.85	11.5	1455	87.5	0.81	10.9	0.031	40	59
7.5	M2AA 132 M	1445	87.0	0.85	15.3	1455	88.0	0.81	14.5	0.038	48	59
11 ²⁾	M2AA 160 M	1450	88.1	0.83	23	1465	89.2	0.79	22	0.067	75	62
15 ²⁾	M2AA 160 L	1455	89.5	0.84	30	1465	90.5	0.80	29	0.088	92	62
18.5 ²⁾	M2AA 180 M	1455	90.4	0.83	37.5	1465	91.2	0.79	36.5	0.102	110	64
22 ²⁾	M2AA 180 L	1455	91.1	0.84	43.5	1465	91.9	0.81	41.5	0.127	128	64
30 ²⁾	M2AA 200 L	1470	92.3	0.82	60	1475	92.6	0.77	58	0.225	177	67
37 ²⁾	M2AA 225 S	1470	92.4	0.86	71	1475	93.2	0.83	67	0.35	216	68
45 ²⁾	M2AA 225 M	1470	93.2	0.85	87	1475	93.8	0.82	83	0.41	237	68
55 ²⁾	M2AA 250 M	1470	93.3	0.86	103	1475	94.1	0.84	95	0.5	286	66

Recalculation factors

Recalculation factors for current at rated voltages other than 400 V 50 Hz.			
Rated voltage at 50 Hz and motor wound for	Recalculation factor	Rated voltage at 50 Hz and motor wound for	Recalculation factor
220 V	1.82	500 V	0.80
230 V	1.74	660 V	0.61
415 V	0.96	690 V	0.58

General purpose aluminum motors

Technical data for totally enclosed squirrel cage three phase motors



IP 55 – IC 411 – Insulation class F, temperature rise class B

Output kW	Motor type	Product code	Speed r/min	Efficiency		Power factor cos φ	Current		Torque			
				Full load 100%	3/4 load 75%		I _N	I _s	T _N	T _s	T _{max}	
3000 r/min = 2-poles			400 V 50 Hz			Basic design						
1.1	M3VA 80 C	3GVA 081 313-••B	2850	82.8	82.6	0.85	2.25	8.1	3.69	4.2	3.5	
1.5	M3AA 90 L	3GAA 091 312-••E	2900	85.9	86.5	0.87	3.2	7.7	5	2.7	3.6	
2.2	M3AA 90 LB	3GAA 091 313-••E	2880	85.8	87.1	0.87	4.4	7.4	7.3	3.0	3.6	
3	M3AA 100 LB	3GAA 101 312-••E	2920	87.6	87.5	0.86	5.9	10.0	9.9	3.9	4.9	
5.5 ¹⁾	M3AA 112 MB	3GAA 112 002-••E	1425	85.3	86.5	0.83	11.4	6.7	37	2.5	3.2	
4	M3AA 112 M	3GAA 111 022-••C	2860	87.7	89.4	0.93	7.1	7.5	13.4	2.6	3.4	
5.5	M3AA 132 SA	3GAA 131 023-••C	2900	88.6	89.6	0.88	10.3	9.7	18.1	3.8	4.3	
7.5	M3AA 132 SB	3GAA 131 024-••C	2915	90.9	91.3	0.90	13.3	11.0	24.6	5.1	5.2	
11	M3AA 160 MA	3GAA 161 101-••C	2930	91.0	91.2	0.88	20	6.2	36	2.1	2.8	
15	M3AA 160 M	3GAA 161 102-••C	2920	91.3	91.7	0.90	26.5	6.4	49	2.3	2.7	
18.5	M3AA 160 L	3GAA 161 103-••C	2920	92.4	93.1	0.91	32	7.2	61	2.6	2.9	
22	M3AA 180 M	3GAA 181 101-••C	2930	92.8	93.3	0.89	38.5	7.2	71	2.7	3.0	
30	M3AA 200 MLA	3GAA 201 001-••C	2955	93.2	93.2	0.88	53	8.5	97	2.9	3.1	
37	M3AA 200 MLB	3GAA 201 002-••C	2950	93.6	93.7	0.89	64	7.2	120	2.3	2.9	
45	M3AA 225 SMB	3GAA 221 001-••C	2960	94.1	93.9	0.88	79	7.7	145	2.5	2.9	
55	M3AA 250 SMA	3GAA 251 001-••C	2970	94.2	93.8	0.89	95	7.9	177	2.4	3.0	
75	M3AA 280 SMA	3GAA 281 001-••C	2970	95.1	95.2	0.90	127	8.2	241	2.4	3.1	
90 ¹⁾	M3AA 280 SMB	3GAA 281 002-••C	2970	95.4	94.8	0.90	152	8.3	290	2.7	3.4	
3000 r/min = 2-poles			400 V 50 Hz			High-output design						
0.37	M2VA 63 BB	3GVA 061 003-••C	2800	73.6	73.1	0.81	0.9	3.5	1.29	2.3	2.2	
0.68	M2VA 71 BB	3GVA 071 003-••C	2800	78.9	77.4	0.82	1.59	5.2	2.33	3.2	3.3	
0.75	M2VA 71 BC	3GVA 071 004-••C	2800	78.5	77.9	0.85	1.7	5.1	2.57	3.1	3.2	
1.5	M2VA 80 C	3GVA 081 003-••B	2840	82.4	82.2	0.83	3.16	5.5	5.13	2.8	3.1	
2.7 ¹⁾	M3AA 90 LB	3GAA 091 003-••E	2860	80.7	83.5	0.86	5.7	7.0	9	2.6	3.0	
4 ¹⁾	M3AA 100 LB	3GAA 101 002-••E	2900	85.0	84.3	0.86	8.1	7.5	13	2.7	3.6	
5.5 ¹⁾	M3AA 112 MB	3GAA 111 002-••C	2855	86.6	87.9	0.93	9.9	7.3	18.4	2.6	3.4	
9.2 ¹⁾	M3AA 132 SBB	3GAA 131 004-••C	2840	86.8	88.3	0.92	16.8	8.5	31	3.3	3.6	
11 ¹⁾	M3AA 132 SC	3GAA 131 003-••C	2835	87.9	89.2	0.93	19.6	7.7	37	3.0	3.2	
22 ¹⁾	M3AA 160 LB	3GAA 161 104-••C	2920	92.0	93.0	0.91	38	6.9	72	2.3	2.9	
30	M3AA 180 LB	3GAA 181 102-••C	2945	93.7	94.0	0.89	53	7.8	97	2.7	3.0	
45	M3AA 200 MLC	3GAA 201 003-••C	2950	94.1	94.5	0.89	78	8.2	146	3.0	3.2	
55 ¹⁾	M3AA 200 MLD	3GAA 201 004-••C	2940	94.0	94.4	0.89	95	7.9	179	3.1	3.1	
55	M3AA 225 SMC	3GAA 221 002-••C	2960	94.5	94.6	0.89	95	7.3	177	2.8	3.0	
75	M3AA 250 SMB	3GAA 251 002-••C	2970	95.0	94.9	0.90	127	8.6	241	2.7	3.3	
80 ¹⁾	M3AA 225 SMD	3GAA 221 003-••C	2960	94.7	94.7	0.86	143	7.5	258	2.9	3.1	
95 ¹⁾	M3AA 250 SMC	3GAA 251 003-••C	2965	95.4	95.6	0.90	160	8.0	306	2.6	3.1	

¹⁾ Temperature rise class F.

²⁾ On request.

The bullets in the product code indicate choice of mounting arrangement, voltage and frequency, generation code (see ordering information page).

General purpose aluminum motors

Technical data for totally enclosed squirrel cage three phase motors

IP 55 – IC 411 – Insulation class F, temperature rise class B

Output kW	Motor type	Speed r/min	Efficiency %	Power factor cos φ	Current I _N A	Speed r/min	Efficiency %	Power factor cos φ	Current I _N A	Moment of inertia J=1/4 GD ² kgm ²	Weight kg	Sound pressure level L _p dB(A)
3000 r/min = 2-poles		380 V 50 Hz				415 V 50 Hz				Basic design		
1.1	M3VA 80 C	2830	81.1	0.88	2.35	2870	81.2	0.80	2.35	0.00109	11	60
1.5	M3AA 90 L	2880	85.1	0.87	3.4	2910	85.9	0.84	3.1	0.0024	16	63
2.2	M3AA 90 LB	2860	85.1	0.88	4.5	2890	86.1	0.84	4.3	0.0027	18	63
3	M3AA 100 LB	2910	87.5	0.87	6.1	2930	87.7	0.83	5.8	0.005	25	62
5.5 ¹⁾	M3AA 112 MB	1415	^{84.7}	0.85	11.7	1430	^{85.5}	0.79	11.4	0.018	34	56
4	M3AA 112 M	2860	86.7	0.93	7.6	2860	88.0	0.93	6.9	0.012	33	63
5.5	M3AA 132 SA	2900	88.3	0.89	10.7	2900	88.7	0.86	10	0.016	42	69
7.5	M3AA 132 SB	2915	90.5	0.90	13.9	2915	91.2	0.90	12.9	0.022	56	69
11	M3AA 160 MA	2915	90.8	0.89	20.5	2935	91.0	0.86	19.4	0.039	73	69
15	M3AA 160 M	2905	91.0	0.90	27.5	2925	91.4	0.89	25.5	0.047	84	69
18.5	M3AA 160 L	2910	92.0	0.91	33.5	2930	92.6	0.90	31	0.053	94	69
22	M3AA 180 M	2930	92.4	0.90	40.5	2945	93.0	0.88	37.5	0.077	119	69
30	M3AA 200 MLA	2955	93.0	0.89	55	2960	93.3	0.86	52	0.15	175	72
37	M3AA 200 MLB	2950	93.4	0.89	68	2955	93.7	0.87	63	0.18	200	72
45	M3AA 225 SMB	2955	94.0	0.89	82	2965	94.2	0.87	77	0.26	235	74
55	M3AA 250 SMA	2960	94.1	0.89	100	2970	94.2	0.88	92	0.49	285	75
75	M3AA 280 SMA	2965	95.1	0.90	134	2970	95.2	0.89	123	0.57	330	75
90 ¹⁾	M3AA 280 SMB	2965	95.3	0.89	158	2970	95.4	0.91	148	0.59	390	75
3000 r/min = 2-poles		380 V 50 Hz				415 V 50 Hz				High-output design		
0.37	M2VA 63 BB	2790	71.6	0.84	0.92	2820	72.4	0.77	0.94	0.00036	4.9	54
0.68	M2VA 71 BB	2790	77.4	0.85	1.6	2810	77.4	0.78	1.63	0.00045	6.5	58
0.75	M2VA 71 BC	2790	76.0	0.87	1.75	2810	77.0	0.78	1.8	0.00045	6.5	58
1.5	M2VA 80 C	2800	80.9	0.88	3.2	2820	83.2	0.81	3.1	0.00109	11.5	60
2.7 ¹⁾	M3AA 90 LB	2840	80.2	0.89	5.8	2870	80.6	0.83	5.7	0.0027	18	68
4 ¹⁾	M3AA 100 LB	2890	85.0	0.88	8.3	2910	85.0	0.84	7.8	0.005	25	68
5.5 ¹⁾	M3AA 112 MB	2835	85.6	0.93	10.5	2865	87.2	0.92	9.5	0.012	33	63
9.2 ¹⁾	M3AA 132 SBB	2830	85.8	0.92	17.6	2850	87.4	0.93	16.2	0.02	50	69
11 ¹⁾	M3AA 132 SC	2815	87.0	0.93	21	2845	88.4	0.93	18.9	0.022	56	69
22 ¹⁾	M3AA 160 LB	2910	91.6	0.91	40	2925	92.4	0.90	37	0.058	100	69
30	M3AA 180 LB	2940	93.9	0.90	55	2950	93.8	0.87	52	0.092	137	70
45	M3AA 200 MLC	2945	94.0	0.89	82	2955	94.2	0.88	76	0.19	205	72
55 ¹⁾	M3AA 200 MLD	2)	2)	2)	2)	2)	2)	2)	2)	0.2	215	0
55	M3AA 225 SMC	2950	94.3	0.89	100	2965	94.7	0.88	92	0.29	260	74
75	M3AA 250 SMB	2965	94.7	0.90	134	2970	95.1	0.89	123	0.57	375	75
80 ¹⁾	M3AA 225 SMD	2)	2)	2)	2)	2)	2)	2)	2)	0.3	275	74
95 ¹⁾	M3AA 250 SMC	2)	2)	2)	2)	2)	2)	2)	2)	0.59	345	75

Recalculation factors

Recalculation factors for current at rated voltages other than 400 V 50 Hz.			
Rated voltage at 50 Hz and motor wound for	Recalculation factor	Rated voltage at 50 Hz and motor wound for	Recalculation factor
220 V	1.82	500 V	0.80
230 V	1.74	660 V	0.61
415 V	0.96	690 V	0.58

General purpose aluminum motors

Technical data for totally enclosed squirrel cage three phase motors



IP 55 – IC 411 – Insulation class F, temperature rise class B

Output kW	Motor type	Product code	Speed r/min	Efficiency		Power factor cos φ	Current		Torque			
				Full load 100%	3/4 load 75%		I _N	I _s	T _N	T _s	T _{max}	
							A	I _N	Nm	T _N	T _N	T _N
1500 r/min = 4-poles			400 V 50 Hz				Basic design					
1.1	M3AA 90 L	3GAA 092 312-••E	1420	83.9	84.3	0.80	2.4	6.1	7.4	2.9	3.4	3.4
1.5	M3AA 100 LA	3GAA 102 311-••E	1440	85.6	85.5	0.82	3.2	6.9	10	2.8	3.4	3.4
2.2	M3AA 100 LC	3GAA 102 313-••E	1450	86.8	86.5	0.77	4.8	8.5	14.5	4.0	4.6	4.6
3	M3AA 112 MA	3GAA 112 021-••C	1455	87.5	87.8	0.81	6.2	7.9	19.7	2.7	3.7	3.7
4	M3AA 112 M	3GAA 112 022-••C	1455	88.3	88.6	0.76	8.6	8.5	26.3	3.3	4.3	4.3
5.5	M3AA 132 S	3GAA 132 023-••C	1460	89.3	90.5	0.84	10.6	7.5	36	2.6	3.1	3.1
7.5	M3AA 132 M	3GAA 132 024-••C	1450	90.1	91.4	0.87	14	7.8	49	2.2	3.1	3.1
11	M3AA 160 M	3GAA 162 101-••C	1460	92.0	92.7	0.81	21.5	7.6	72	2.9	3.4	3.4
15	M3AA 160 L	3GAA 162 102-••C	1460	91.8	92.5	0.82	29	8.1	98	3.3	3.6	3.6
18.5	M3AA 180 M	3GAA 182 101-••C	1470	92.3	92.9	0.84	35	7.0	120	2.9	2.9	2.9
22	M3AA 180 L	3GAA 182 102-••C	1470	93.1	93.9	0.85	40	7.0	143	2.6	2.8	2.8
30	M3AA 200 MLB	3GAA 202 001-••C	1475	93.4	94.0	0.84	55	7.5	194	2.5	2.8	2.8
37	M3AA 225 SMA	3GAA 222 001-••C	1480	93.6	93.8	0.84	68	7.4	239	2.9	3.0	3.0
45	M3AA 225 SMB	3GAA 222 002-••C	1480	94.2	94.4	0.83	83	7.6	291	2.8	3.0	3.0
55	M3AA 250 SMA	3GAA 252 001-••C	1480	94.6	94.9	0.86	98	7.6	355	3.1	3.0	3.0
75	M3AA 280 SMA	3GAA 282 001-••C	1480	94.8	95.3	0.86	132	7.1	486	2.7	3.0	3.0
90	M3AA 280 SMB	3GAA 282 002-••C	1475	95.0	95.3	0.87	157	7.7	583	3.3	3.2	3.2
1500 r/min = 4-poles			400 V 50 Hz				High-output design					
0.25	M2VA 63 BB	3GVA 062 003-••C	1370	70.3	67.4	0.67	0.78	3.2	1.75	2.5	2.1	2.1
0.45	M2VA 71 BB	3GVA 072 003-••C	1390	75.5	75.3	0.76	1.15	4.1	3.11	2.1	2.3	2.3
0.55	M2VA 71 C	3GVA 072 004-••C	1410	77.3	76.9	0.73	1.45	4.8	3.74	2.7	2.9	2.9
0.95	M2VA 80 C	3GVA 082 003-••B	1410	78.9	77.9	0.75	2.35	4.3	6.44	2.9	3.3	3.3
1.1	M2VA 80 C	3GVA 082 004-••B	1390	74.7	76.6	0.77	2.8	4.3	7.8	3.1	2.3	2.3
1.85	¹⁾ M3AA 90 L	3GAA 092 003-••E	1390	79.5	78.1	0.80	4.4	4.5	13	2.2	2.4	2.4
2.2	¹⁾ M3AA 90 LB	3GAA 092 004-••E	1390	80.3	81.0	0.83	4.85	4.5	15	2.2	2.4	2.4
4	¹⁾ M3AA 100 LC	3GAA 102 003-••E	1420	81.0	81.7	0.82	8.65	5.5	27	2.5	2.8	2.8
5.5	¹⁾ M3AA 112 MB	3GAA 112 002-••C	1425	85.3	86.5	0.83	11.4	6.7	37	2.5	3.2	3.2
9.2	¹⁾ M3AA 132 MBA	3GAA 132 004-••C	1445	87.8	89.2	0.87	17.5	7.2	61	2.7	2.7	2.7
11	¹⁾ M3AA 132 MB	3GAA 132 003-••C	1450	88.6	89.9	0.86	21	7.4	73	2.5	2.7	2.7
18.5	¹⁾ M3AA 160 LB	3GAA 162 103-••C	1450	90.5	92.0	0.84	36	6.6	122	2.6	3.0	3.0
30	¹⁾ M3AA 180 LB	3GAA 182 103-••C	1465	92.5	93.3	0.84	56	6.8	196	2.5	2.8	2.8
37	M3AA 200 MLB	3GAA 202 002-••C	1475	93.8	94.2	0.84	68	7.4	240	2.9	2.7	2.7
48	¹⁾ M3AA 200 MLC	3GAA 202 003-••C	1470	93.6	94.1	0.84	89	8.1	311	4.4	3.2	3.2
55	M3AA 225 SMC	3GAA 222 003-••C	1480	94.6	95.0	0.84	100	7.5	356	3.5	3.0	3.0
73	¹⁾ M3AA 225 SMD	3GAA 222 004-••C	1475	94.2	94.5	0.85	132	8.1	473	3.9	3.2	3.2
75	M3AA 250 SMB	3GAA 252 002-••C	1480	94.6	95.1	0.86	132	6.9	486	2.6	3.0	3.0
95	¹⁾ M3AA 250 SMC	3GAA 252 003-••C	1475	94.5	95.3	0.88	165	7.3	616	2.6	3.1	3.1

¹⁾ Temperature rise class F.

²⁾ On request.

The bullets in the product code indicate choice of mounting arrangement, voltage and frequency, generation code (see ordering information page).

General purpose aluminum motors

Technical data for totally enclosed squirrel cage three phase motors

IP 55 – IC 411 – Insulation class F, temperature rise class B

Output kW	Motor type	Speed r/min	Efficiency %	Power factor cos φ	Current I _N A	Speed r/min	Efficiency %	Power factor cos φ	Current I _N A	Moment of inertia J=1/4 GD ² kgm ²	Weight kg	Sound pressure level L _p dB(A)
1500 r/min = 4-poles		380 V 50 Hz				415 V 50 Hz				Basic design		
1.1	M3AA 90 L	1410	83.6	0.82	2.5	1430	84.4	0.78	2.4	0.0043	16	50
1.5	M3AA 100 LA	1430	85.4	0.84	3.2	1450	86.1	0.79	3.1	0.0069	21	54
2.2	M3AA 100 LC	1440	86.8	0.80	4.8	1460	86.9	0.74	4.8	0.009	25	54
3	M3AA 112 MA	1455	87.2	0.81	6.5	1455	87.8	0.80	6.1	0.018	34	56
4	M3AA 112 M	1455	87.9	0.77	9	1455	88.6	0.77	8.2	0.018	34	56
5.5	M3AA 132 S	1460	89.2	0.84	11	1460	89.4	0.84	10.3	0.038	48	59
7.5	M3AA 132 M	1450	90.1	0.87	14.7	1450	90.2	0.87	13.5	0.048	59	59
11	M3AA 160 M	1460	91.1	0.83	22.5	1470	91.6	0.82	20.5	0.091	94	62
15	M3AA 160 L	1455	91.8	0.84	30	1465	91.9	0.81	28	0.102	103	62
18.5	M3AA 180 M	1465	91.7	0.85	36	1470	92.2	0.83	34	0.161	124	62
22	M3AA 180 L	1465	92.7	0.86	42	1475	93.3	0.84	38	0.225	161	63
30	M3AA 200 MLB	1470	93.1	0.85	58	1475	93.5	0.84	54	0.34	205	63
37	M3AA 225 SMA	1475	93.6	0.84	72	1480	93.8	0.81	68	0.37	215	66
45	M3AA 225 SMB	1475	94.0	0.85	86	1480	94.2	0.81	82	0.42	230	66
55	M3AA 250 SMA	1475	94.4	0.86	103	1480	94.5	0.84	96	0.72	275	67
75	M3AA 280 SMA	1475	94.5	0.87	139	1480	94.8	0.86	128	0.88	380	67
90	M3AA 280 SMB	1470	95.0	0.89	164	1475	95.1	0.87	153	0.95	405	67
1500 r/min = 4-poles		380 V 50 Hz				415 V 50 Hz				High-output design		
0.25	M2VA 63 BB	1360	70.9	0.71	0.76	1380	69.1	0.63	0.8	0.0003	5	40
0.45	M2VA 71 BB	1380	75.1	0.80	1.12	1400	74.0	0.72	1.2	0.00089	6.5	45
0.55	M2VA 71 C	1400	77.0	0.77	1.4	1420	76.1	0.69	1.5	0.0011	7	45
0.95	M2VA 80 C	1400	79.1	0.81	2.3	1430	76.4	0.66	2.65	0.00195	11	50
1.1	M2VA 80 C	1380	74.3	0.82	2.7	1400	74.1	0.72	2.9	0.00195	11	50
1.85	¹⁾ M3AA 90 L	1380	78.8	0.83	4.4	1400	79.5	0.76	4.35	0.0043	16	50
2.2	¹⁾ M3AA 90 LB	1380	78.4	0.85	5.1	1400	80.8	0.80	4.9	0.0048	17	50
4	¹⁾ M3AA 100 LC	1410	80.0	0.82	8.8	1420	82.0	0.75	8.7	0.009	25	60
5.5	¹⁾ M3AA 112 MB	1415	84.7	0.85	11.7	1430	85.5	0.79	11.4	0.018	34	56
9.2	¹⁾ M3AA 132 MBA	1445	88.0	0.87	18.4	1445	88.3	0.87	16.8	0.048	59	59
11	¹⁾ M3AA 132 MB	1445	88.2	0.87	22	1455	88.6	0.83	21	0.048	59	59
18.5	¹⁾ M3AA 160 LB	1440	89.8	0.85	37	1450	90.8	0.83	34	0.102	103	63
30	¹⁾ M3AA 180 LB	1465	92.2	0.85	58	1470	92.7	0.82	55	0.225	161	63
37	M3AA 200 MLB	1475	93.5	0.85	71	1475	93.9	0.82	67	0.34	205	63
48	¹⁾ M3AA 200 MLC	²⁾	²⁾	²⁾	²⁾	²⁾	²⁾	²⁾	²⁾	0.38	270	63
55	M3AA 225 SMC	1475	94.3	0.84	105	1480	94.6	0.82	99	0.49	265	66
73	¹⁾ M3AA 225 SMD	²⁾	²⁾	²⁾	²⁾	²⁾	²⁾	²⁾	²⁾	0.56	290	66
75	M3AA 250 SMB	1475	94.3	0.87	139	1480	94.8	0.86	128	0.88	335	67
95	¹⁾ M3AA 250 SMC	²⁾	²⁾	²⁾	²⁾	²⁾	²⁾	²⁾	²⁾	0.95	360	67

Recalculation factors

Recalculation factors for current at rated voltages other than 400 V 50 Hz.			
Rated voltage at 50 Hz and motor wound for	Recalculation factor	Rated voltage at 50 Hz and motor wound for	Recalculation factor
220 V	1.82	500 V	0.80
230 V	1.74	660 V	0.61
415 V	0.96	690 V	0.58

General purpose aluminum motors

Technical data for totally enclosed squirrel cage three phase motors

IP 55 – IC 411 – Insulation class F, temperature rise class B

Output kW	Motor type	Product code	Speed r/min	Efficiency		Power factor cos φ	Current		Torque			
				Full load 100%	3/4 load 75%		I _N A	I _s / I _N	T _N Nm	T _s / T _N	T _{max} / T _N	
1000 r/min = 6-poles			400 V 50 Hz				Basic design					
0.09	M2VA 63 A	3GVA 063 001-••C	910	47.1	42.5	0.56	0.51	2.1	0.95	2.1	2.1	
0.12	M2VA 63 B	3GVA 063 002-••C	910	57.5	54.0	0.58	0.54	2.1	1.27	2.1	2.1	
0.18	M2VA 71 A	3GVA 073 001-••C	920	61.1	57.7	0.69	0.64	2.9	1.88	2.1	2.2	
0.25	M2VA 71 B	3GVA 073 002-••C	920	64.9	62.3	0.65	0.86	3.2	2.61	2.5	2.7	
0.37	M2VA 80 A	3GVA 083 001-••B	925	72.9	70.8	0.72	1.04	3.8	3.82	3.1	3.4	
0.55	M2VA 80 B	3GVA 083 002-••B	925	73.3	71.9	0.71	1.55	3.4	5.68	2.9	3.1	
0.75	M3AA 90 S	3GAA 093 001-••E	930	71.5	70.7	0.67	2.36	4.0	7.5	1.9	2.3	
1.1	M3AA 90 L	3GAA 093 002-••E	930	74.4	72.5	0.69	3.25	4.0	11	2.1	2.4	
1.5	M3AA 100 L	3GAA 103 001-••E	950	80.0	77.0	0.71	3.92	4.5	15	1.9	2.3	
2.2	M3AA 112 M	3GAA 113 001-••C	940	80.5	81.0	0.74	5.4	5.6	22	2.1	2.7	
3	M3AA 132 S	3GAA 133 001-••C	960	84.5	84.8	0.75	6.9	6.5	30	2.1	3.0	
4	M3AA 132 MA	3GAA 133 002-••C	960	85.5	86.1	0.78	8.7	7.1	40	2.6	2.8	
5.5	M3AA 132 MB	3GAA 133 003-••C	955	86.0	87.0	0.78	11.9	6.6	55	2.1	2.8	
7.5	M3AA 160 M	3GAA 163 101-••C	970	89.3	90.4	0.79	15.4	6.6	74	1.9	2.6	
11	M3AA 160 L	3GAA 163 102-••C	970	89.8	90.5	0.78	23	6.9	109	2.1	3.4	
15	M3AA 180 L	3GAA 183 101-••C	970	90.8	91.5	0.78	31	6.8	147	2.0	3.3	
18.5	M3AA 200 MLA	3GAA 203 001-••C	985	91.1	91.7	0.81	36	7.0	180	2.7	2.5	
22	M3AA 200 MLB	3GAA 203 002-••C	980	91.7	92.2	0.81	43	6.8	214	2.9	3.0	
30	M3AA 225 SMB	3GAA 223 001-••C	985	92.8	93.0	0.83	56	7.2	291	3.1	2.9	
37	M3AA 250 SMA	3GAA 253 001-••C	985	93.4	93.7	0.83	69	7.3	358	3.1	2.8	
45 ¹⁾	M3AA 280 SMA	3GAA 283 001-••C	985	93.4	93.7	0.84	83	7.2	436	3.2	2.8	
45	M3AA 280 SMA	3GAA 283 001-••C	985	93.4	93.7	0.84	83	7.2	436	3.2	2.8	
1000 r/min = 6-poles			400 V 50 Hz				High-output design					
0.15	M2VA 63 BB	3GVA 063 003-••C	900	56.9	52.1	0.54	0.74	2.2	1.61	2.2	2.3	
0.32	M2VA 71 C	3GVA 073 003-••C	920	64.8	61.6	0.63	1.15	3.2	3.33	2.6	2.8	
0.37	M2VA 71 C	3GVA 073 004-••C	900	60.1	60.4	0.70	1.2	2.6	4.1	2.2	2.0	
0.75	M2VA 80 C	3GVA 083 003-••B	920	67.9	70.5	0.76	2.1	3.4	8.1	2.4	2.2	
1.3 ¹⁾	M3AA 90 LB	3GAA 093 003-••E	910	69.0	69.0	0.71	3.85	4.0	13.5	1.9	2.2	
2.2 ¹⁾	M3AA 100 LC	3GAA 103 002-••E	940	77.0	72.8	0.71	5.9	4.5	22	1.9	2.3	
3 ¹⁾	M3AA 112 MB	3GAA 113 002-••C	935	80.0	81.2	0.76	7.2	5.5	31	2.5	2.7	
6.3 ¹⁾	M3AA 132 MC	3GAA 133 004-••C	960	84.9	85.0	0.75	14.5	7.3	63	2.3	3.1	
14 ¹⁾	M3AA 160 LB	3GAA 163 103-••C	960	89.8	90.1	0.77	29.5	7.0	138	2.5	3.1	
18.5 ¹⁾	M3AA 180 LB	3GAA 183 102-••C	965	90.7	91.7	0.80	37	6.1	183	2.1	2.5	
30 ¹⁾	M3AA 200 MLC	3GAA 203 003-••C	980	91.9	92.5	0.81	56	7.1	293	3.3	2.9	
37	M3AA 225 SMC	3GAA 223 002-••C	985	92.8	93.4	0.83	69	6.9	360	3.0	2.9	
45 ¹⁾	M3AA 250 SMB	3GAA 253 002-••C	985	93.4	93.7	0.84	83	7.2	436	3.2	2.8	

¹⁾ Temperature rise class F.

²⁾ On request.

The bullets in the product code indicate choice of mounting arrangement, voltage and frequency, generation code (see ordering information page).

General purpose aluminum motors

Technical data for totally enclosed squirrel cage three phase motors

IP 55 – IC 411 – Insulation class F, temperature rise class B

Output kW	Motor type	Speed r/min	Efficiency %	Power factor cos φ	Current I _N A	Speed r/min	Efficiency %	Power factor cos φ	Current I _N A	Moment of inertia J=1/4 GD ² kgm ²	Weight kg	Sound pressure level L _p dB(A)
1000 r/min = 6-poles		380 V 50 Hz			415 V 50 Hz			Basic design				
0.09	M2VA 63 A	905	49.6	0.59	0.46	925	44.9	0.52	0.55	0.0002	4	38
0.12	M2VA 63 B	905	59.1	0.61	0.52	925	54.8	0.54	0.57	0.00027	4.5	38
0.18	M2VA 71 A	910	60.3	0.73	0.62	930	59.8	0.62	0.7	0.00063	5.5	42
0.25	M2VA 71 B	910	65.4	0.68	0.85	930	63.6	0.61	0.9	0.00081	6.5	42
0.37	M2VA 80 A	905	72.7	0.77	1.03	920	71.4	0.66	1.1	0.00184	9	47
0.55	M2VA 80 B	905	73.1	0.77	1.5	915	71.2	0.65	1.65	0.00218	10	47
0.75	M3AA 90 S	920	70.6	0.72	2.3	930	70.6	0.64	2.36	0.0032	13	44
1.1	M3AA 90 L	920	73.9	0.73	3.2	930	74.2	0.66	3.25	0.0043	16	44
1.5	M3AA 100 L	940	79.0	0.74	3.96	960	80.0	0.67	3.95	0.0082	23	49
2.2	M3AA 112 M	930	80.0	0.78	5.4	950	80.5	0.71	5.4	0.015	27	54
3	M3AA 132 S	955	84.0	0.77	7.1	965	84.0	0.72	6.9	0.031	39	61
4	M3AA 132 MA	955	85.0	0.81	8.9	965	85.5	0.75	8.7	0.038	46	61
5.5	M3AA 132 MB	950	85.5	0.81	12.2	960	86.0	0.76	11.8	0.045	54	61
7.5	M3AA 160 M	960	88.7	0.80	16.1	970	89.6	0.77	15.1	0.089	88	59
11	M3AA 160 L	960	89.4	0.80	23.5	970	90.0	0.76	22.5	0.107	102	59
15	M3AA 180 L	970	90.9	0.79	32	975	91.1	0.74	30.5	0.217	151	59
18.5	M3AA 200 MLA	980	90.8	0.81	38	985	91.1	0.78	36	0.37	165	63
22	M3AA 200 MLB	980	91.6	0.81	45	985	91.8	0.79	42	0.43	185	63
30	M3AA 225 SMB	985	92.6	0.83	59	985	92.9	0.82	55	0.64	225	63
37	M3AA 250 SMA	985	93.3	0.84	72	990	93.5	0.81	67	1.16	280	63
45 ¹⁾	M3AA 280 SMA	985	93.5	0.84	87	985	93.6	0.83	81	1.49	375	63
45	M3AA 280 SMA	985	93.5	0.84	87	985	93.6	0.83	81	1.49	375	63
1000 r/min = 6-poles		380 V 50 Hz			415 V 50 Hz			High-output design				
0.15	M2VA 63 BB	895	55.9	0.59	0.71	915	53.9	0.52	0.8	0.00032	5	38
0.32	M2VA 71 C	910	65.6	0.67	1.1	930	63.3	0.59	1.2	0.0011	7	42
0.37	M2VA 71 C	880	59.1	0.75	1.25	920	59.8	0.66	1.2	0.0011	7	42
0.75	M2VA 80 C	900	66.9	0.80	2.1	930	67.6	0.72	2.2	0.00258	10	47
1.3 ¹⁾	M3AA 90 LB	900	69.0	0.75	3.8	920	69.0	0.67	3.9	0.0048	18	44
2.2 ¹⁾	M3AA 100 LC	930	76.0	0.75	5.9	940	77.0	0.67	5.9	0.009	26	49
3 ¹⁾	M3AA 112 MB	925	79.5	0.79	7.3	940	80.0	0.73	7.2	0.018	33	54
6.3 ¹⁾	M3AA 132 MC	960	84.8	0.75	14.5	965	84.6	0.71	14.4	0.049	59	61
14 ¹⁾	M3AA 160 LB	955	89.7	0.79	30.5	965	89.6	0.75	29.5	0.127	117	62
18.5 ¹⁾	M3AA 180 LB	960	90.1	0.82	38	970	90.9	0.79	36	0.237	160	59
30 ¹⁾	M3AA 200 MLC	980	91.7	0.83	57	985	92.1	0.83	52	0.49	200	63
37 ¹⁾	M3AA 225 SMC	980	92.6	0.83	72	985	93.2	0.81	68	0.75	252	63
45 ¹⁾	M3AA 250 SMB	985	93.5	0.84	87	985	93.6	0.83	81	1.49	320	63

Recalculation factors

Recalculation factors for current at rated voltages other than 400 V 50 Hz.			
Rated voltage at 50 Hz and motor wound for	Recalculation factor	Rated voltage at 50 Hz and motor wound for	Recalculation factor
220 V	1.82	500 V	0.80
230 V	1.74	660 V	0.61
415 V	0.96	690 V	0.58

General purpose aluminum motors

Technical data for totally enclosed squirrel cage three phase motors

IP 55 – IC 411 – Insulation class F, temperature rise class B

Output kW	Motor type	Product code	Speed r/min	Efficiency		Power factor cos φ	Current		Torque			
				Full load 100%	3/4 load 75%		I _N A	I _s A	T _N Nm	T _s Nm	T _{max} Nm	
750 r/min = 8-poles				400 V 50 Hz				Basic design				
0.055	M2VA 63 B	3GVA 064 002-••C	680	38.3	31.8	0.48	0.45	1.8	0.78	2.1	2.1	
0.09	M2VA 71 A	3GVA 074 001-••C	690	45.8	37.5	0.57	0.52	2.2	1.25	2.3	2.3	
0.12	M2VA 71 B	3GVA 074 002-••C	690	46.4	38.1	0.55	0.69	2.2	1.67	2.5	2.5	
0.18	M2VA 80 A	3GVA 084 001-••B	700	59.9	54.5	0.60	0.75	3.1	2.46	3.2	3.6	
0.25	M2VA 80 B	3GVA 084 002-••B	700	70.7	67.4	0.62	0.85	3.1	3.52	2.9	3.1	
0.37	M3AA 90 S	3GAA 094 001-••E	700	61.5	43.4	0.56	1.6	3.0	5	1.9	2.4	
0.55	M3AA 90 L	3GAA 094 002-••E	690	62.9	56.4	0.57	2.35	3.0	7.5	1.7	2.1	
0.75	M3AA 100 LA	3GAA 104 001-••E	700	72.0	63.6	0.59	2.55	3.5	10	2.1	2.7	
1.1	M3AA 100 LB	3GAA 104 002-••E	700	73.0	68.8	0.64	3.35	3.5	15	2.1	2.7	
1.5	M3AA 112 M	3GAA 114 001-••C	695	74.5	74.6	0.65	4.5	4.1	21	1.9	2.5	
2.2	M3AA 132 S	3GAA 134 001-••C	720	80.5	80.2	0.67	5.9	5.3	29	1.9	2.5	
3	M3AA 132 M	3GAA 134 002-••C	720	82.0	82.0	0.68	7.8	5.5	40	2.4	2.6	
4	M3AA 160 MA	3GAA 164 101-••C	715	84.1	84.7	0.69	10	5.1	53	2.1	2.6	
5.5	M3AA 160 M	3GAA 164 102-••C	710	84.7	85.6	0.70	13.4	5.5	74	2.4	2.6	
7.5	M3AA 160 L	3GAA 164 103-••C	715	86.3	87.3	0.70	18.1	5.4	100	2.4	2.7	
11	M3AA 180 L	3GAA 184 101-••C	720	89.6	90.3	0.76	23.5	5.7	146	2.1	2.5	
15	M3AA 200 MLA	3GAA 204 001-••C	740	91.1	91.6	0.82	29	7.5	196	3.0	3.2	
18.5	M3AA 225 SMA	3GAA 224 001-••C	730	91.1	91.6	0.79	37	6.8	242	2.8	3.1	
22	M3AA 225 SMB	3GAA 224 002-••C	730	91.5	92.2	0.77	45	6.4	287	2.4	2.6	
30	M3AA 250 SMA	3GAA 254 001-••C	735	92.8	93.1	0.79	59	7.3	389	2.2	2.6	
37	M3AA 280 SMA	3GAA 284 001-••C	735	93.0	93.3	0.81	74	7.4	479	2.0	2.6	
37	M3AA 280 SMA	3GAA 284 001-••C	735	93.0	93.3	0.81	74	7.4	478	2.9	3.1	
750 r/min = 8-poles				400 V 50 Hz				High-output design				
0.18	M2VA 71 C	3GVA 074 003-••C	680	51.3	49.9	0.61	0.8	2.2	2.6	2.5	2.2	
0.37	M2VA 80 C	3GVA 084 003-••B	690	64.6	65.3	0.69	1.2	3.0	5.3	2.3	2.1	
0.75	¹⁾ M3AA 90 LB	3GAA 094 003-••E	680	64.0	60.0	0.60	3.1	3.0	10	1.8	2.0	
1.5	¹⁾ M3AA 100 LC	3GAA 104 003-••E	670	71.0	65.9	0.70	4.4	3.3	21	1.8	2.2	
1.9	¹⁾ M3AA 112 MB	3GAA 114 002-••C	690	74.0	74.8	0.67	5.6	4.3	26.5	2.0	2.6	
3.8	¹⁾ M3AA 132 MB	3GAA 134 003-••C	710	80.5	80.7	0.69	9.9	5.2	51	2.3	2.6	
8.5	¹⁾ M3AA 160 LB	3GAA 164 104-••C	700	85.1	85.7	0.70	21	5.3	114	2.3	2.6	
15	¹⁾ M3AA 180 LB	3GAA 184 102-••C	720	88.7	89.6	0.76	32.5	6.0	199	2.4	2.6	
18.5	M3AA 200 MLB	3GAA 204 002-••C	735	91.4	91.8	0.81	36	7.3	241	2.6	3.1	
30	¹⁾ M3AA 225 SMC	3GAA 224 003-••C	735	90.5	91.3	0.79	64	6.7	391	2.5	3.0	
37	M3AA 250 SMB	3GAA 254 002-••C	735	93.0	93.3	0.81	74	7.4	479	2.0	2.6	

¹⁾ Temperature rise class F.

²⁾ On request.

The bullets in the product code indicate choice of mounting arrangement, voltage and frequency, generation code (see ordering information page).

General purpose aluminum motors

Technical data for totally enclosed squirrel cage three phase motors

IP 55 – IC 411 – Insulation class F, temperature rise class B

Output kW	Motor type	Speed r/min	Efficiency %	Power factor cos φ	Current I _N A	Speed r/min	Efficiency %	Power factor cos φ	Current I _N A	Moment of inertia J=1/4 GD ² kgm ²	Weight kg	Sound pressure level L _p dB(A)
750 r/min = 8-poles		380 V 50 Hz				415 V 50 Hz				Basic design		
0.055	M2VA 63 B	675	41.2	0.50	0.41	690	35.7	0.44	0.5	0.00027	4.5	36
0.09	M2VA 71 A	680	46.3	0.60	0.5	700	43.8	0.53	0.55	0.00063	5.5	40
0.12	M2VA 71 B	680	47.7	0.59	0.65	700	44.4	0.53	0.7	0.00081	6.5	40
0.18	M2VA 80 A	690	61.1	0.64	0.7	705	57.8	0.57	0.77	0.00184	9	45
0.25	M2VA 80 B	675	70.2	0.66	0.84	690	69.6	0.58	0.87	0.00218	10	45
0.37	M3AA 90 S	690	62.7	0.59	1.57	700	60.5	0.54	1.7	0.0032	13	43
0.55	M3AA 90 L	680	64.9	0.61	2.27	690	61.5	0.55	2.43	0.0043	16	43
0.75	M3AA 100 LA	690	72.0	0.63	2.5	700	71.0	0.55	2.7	0.0069	20	46
1.1	M3AA 100 LB	700	74.0	0.68	3.3	710	73.0	0.60	3.5	0.0082	23	46
1.5	M3AA 112 M	685	74.0	0.69	4.6	700	74.0	0.61	4.7	0.016	28	52
2.2	M3AA 132 S	715	80.0	0.71	5.9	725	80.0	0.65	5.9	0.038	46	56
3	M3AA 132 M	715	82.0	0.72	7.8	720	82.0	0.68	7.7	0.045	53	56
4	M3AA 160 MA	710	83.5	0.71	10.2	720	84.1	0.66	9.9	0.072	75	59
5.5	M3AA 160 M	705	84.0	0.72	13.8	715	85.0	0.68	13.3	0.091	88	59
7.5	M3AA 160 L	710	85.7	0.72	18.6	715	86.6	0.68	17.8	0.131	118	59
11	M3AA 180 L	715	89.0	0.77	24.5	720	89.8	0.75	23	0.224	147	59
15	M3AA 200 MLA	735	91.0	0.83	30	740	91.2	0.79	29	0.45	175	60
18.5	M3AA 225 SMA	730	91.0	0.79	39	735	91.3	0.76	36	0.61	210	63
22	M3AA 225 SMB	730	91.0	0.81	47	735	91.7	0.76	44	0.68	225	63
30	M3AA 250 SMA	735	92.6	0.81	61	740	92.7	0.77	58	1.25	280	63
37	M3AA 280 SMA	735	92.5	0.82	77	735	92.8	0.81	73	1.52	375	63
37	M3AA 280 SMA	735	92.5	0.82	77	735	92.8	0.81	73	1.52	375	63
750 r/min = 8-poles		380 V 50 Hz				415 V 50 Hz				High-output design		
0.18	M2VA 71 C	670	52.3	0.65	0.8	700	51.4	0.58	0.8	0.0011	7	40
0.37	M2VA 80 C	670	63.1	0.72	1.2	700	65.1	0.66	1.3	0.00258	11	45
0.75	¹⁾ M3AA 90 LB	670	64.0	0.69	3	690	63.0	0.61	3.2	0.0048	18	43
1.5	¹⁾ M3AA 100 LC	660	71.0	0.73	4.5	675	70.0	0.65	4.6	0.009	26	46
1.9	¹⁾ M3AA 112 MB	680	73.8	0.71	5.9	695	73.6	0.65	5.8	0.018	33	52
3.8	¹⁾ M3AA 132 MB	705	80.0	0.72	10	715	80.5	0.67	9.9	0.049	59	56
8.5	¹⁾ M3AA 160 LB	695	84.6	0.73	21.5	705	85.3	0.68	20.5	0.131	118	62
15	¹⁾ M3AA 180 LB	715	88.1	0.78	33.5	720	89.1	0.74	32	0.24	155	62
18.5	M3AA 200 MLB	735	91.2	0.83	37	735	91.6	0.79	35	0.54	200	60
30	¹⁾ M3AA 225 SMC	730	90.4	0.80	65	735	90.9	0.77	63	0.8	255	63
37	M3AA 250 SMB	735	92.5	0.82	77	735	92.8	0.81	73	1.52	320	63

Recalculation factors

Recalculation factors for current at rated voltages other than 400 V 50 Hz.			
Rated voltage at 50 Hz and motor wound for	Recalculation factor	Rated voltage at 50 Hz and motor wound for	Recalculation factor
220 V	1.82	500 V	0.80
230 V	1.74	660 V	0.61
415 V	0.96	690 V	0.58

General purpose aluminum motors, premium efficiency

Data acc. to IEC 60034-2, determination of efficiency

IP 55 – IC 411 – Insulation class F, temperature rise class B

Output kW	Motor type	Product code	Speed r/min	Efficiency		Power factor cos φ	Current		Torque			Moment of inertia J=1/4 GD ² kgm ²	Weight kg	Sound pressure level L _p dB(A)	
				Full load 100%	3/4 load 75%		I _N A	I _s A	T _N Nm	T _s Nm	T _{max} Nm				
3000 r/min = 2 poles															
400 V 50 Hz															
Basic design															
1.5	M3AA 90 L	3GAA 091 312-••C	2900	85.9	86.5	0.87	3	7.7	5	2.7	3.6	0.002	16	63	
2.2	M3AA 90 LB	3GAA 091 313-••C	2880	85.8	87.1	0.87	4.4	7.4	7.3	3.0	3.6	0.002	18	63	
3	M3AA 100 LB	3GAA 101 312-••C	2920	87.6	87.5	0.86	5.9	10.0	9.9	3.9	4.9	0.005	25	62	
4	M3AA 112 M	3GAA 111 022-••C	2860	87.6	89.2	0.93	7.1	7.5	13.4	2.6	3.4	0.012	33	63	
5.5	M3AA 132 SA	3GAA 131 023-••C	2900	88.6	89.6	0.88	10.3	9.7	18.1	3.8	4.3	0.016	42	69	
7.5	M3AA 132 SB	3GAA 131 024-••C	2915	91.0	91.4	0.90	13.3	11.0	24.6	5.1	5.2	0.022	56	69	
11	M3AA 160 MA	3GAA 161 121-••C	2935	92.1	92.3	0.90	19.2	7.4	36	2.7	3.1	0.047	84	69	
15	M3AA 160 M	3GAA 161 122-••C	2940	92.9	93.1	0.90	26	8.0	49	3.0	3.3	0.053	94	69	
18.5	M3AA 160 L	3GAA 161 123-••C	2935	93.2	93.4	0.89	32.5	8.3	60	3.1	3.3	0.058	100	69	
22	M3AA 180 M	3GAA 181 121-••C	2945	93.6	93.9	0.91	37.5	7.1	71	2.7	2.9	0.092	137	70	
30	M3AA 200 MLB	3GAA 201 021-••C	2950	93.8	93.8	0.90	52	7.9	97	3.0	2.9	0.18	200	72	
37	M3AA 200 MLC	3GAA 201 022-••C	2960	94.6	94.6	0.89	64	8.8	120	3.6	3.3	0.19	205	72	
45	M3AA 225 SMC	3GAA 221 021-••C	2970	94.7	94.7	0.88	78	6.9	145	2.3	2.9	0.29	260	74	
55	M3AA 250 SMB	3GAA 251 021-••C	2970	94.8	94.6	0.91	93	7.5	177	2.5	3.0	0.57	330	75	
75	M3AA 250 SMC	3GAA 251 022-••C	2965	95.4	95.8	0.93	124	7.5	242	2.3	2.7	0.6	345	75	
1500 r/min = 4 poles															
400 V 50 Hz															
Basic design															
1.1	M3AA 90 L	3GAA 092 312-••C	1420	83.9	84.3	0.80	2.4	6.1	7.4	2.9	3.4	0.0043	16	50	
1.5	M3AA 100 LA	3GAA 102 311-••C	1440	85.6	85.5	0.82	3.2	6.9	10	2.8	3.4	0.0069	21	54	
2.2	M3AA 100 LC	3GAA 102 313-••C	1450	86.8	86.5	0.77	4.8	8.5	14.5	4.0	4.6	0.009	25	54	
3	M3AA 100 LD	3GAA 102 314-••E	1455	87.4	87.0	0.77	6.5	8.2	19.7	3.6	4.3	0.011	29	40	
3	M3AA 112 MA	3GAA 112 021-••C	1455	87.5	87.8	0.81	6.2	7.9	19.7	2.7	3.7	0.018	34	56	
4	M3AA 112 M	3GAA 112 022-••C	1455	87.8	88.4	0.76	8.6	8.5	26.3	3.3	4.3	0.018	34	56	
5.5	M3AA 132 S	3GAA 132 023-••C	1460	89.3	90.5	0.84	10.6	7.5	36	2.6	3.1	0.038	48	59	
7.5	M3AA 132 M	3GAA 132 024-••C	1450	90.3	91.7	0.87	14	7.8	49	2.2	3.1	0.048	59	59	
11	M3AA 160 M	3GAA 162 121-••C	1470	92.0	92.5	0.83	21	7.7	72	3.2	3.2	0.091	94	62	
15	M3AA 160 L	3GAA 162 122-••C	1460	92.1	92.5	0.83	28.5	7.6	98	3.3	3.1	0.102	103	62	
18.5	M3AA 180 M	3GAA 182 121-••C	1470	93.3	93.9	0.84	34	6.6	121	2.7	2.8	0.191	141	62	
22	M3AA 180 L	3GAA 182 122-••C	1475	93.9	94.3	0.84	41	7.8	143	3.1	3.4	0.225	161	62	
30	M3AA 200 MLB	3GAA 202 021-••C	1475	94.2	94.4	0.84	55	8.0	194	4.0	3.1	0.34	205	63	
37	M3AA 225 SMB	3GAA 222 021-••C	1480	94.3	94.4	0.85	68	7.4	239	2.8	3.0	0.42	230	66	
45	M3AA 225 SMC	3GAA 222 022-••C	1480	95.0	95.0	0.86	80	8.0	291	3.8	3.2	0.49	265	66	
55	M3AA 250 SMB	3GAA 252 021-••C	1480	95.1	95.3	0.87	96	7.4	356	3.0	3.1	0.88	335	67	
55	M3AA 225 SMD	3GAA 222 023-••C	1480	95.1	95.1	0.86	98	8.5	355	4.3	3.8	0.56	290	66	
75	M3AA 250 SMC	3GAA 252 022-••C	1480	95.3	95.3	0.85	135	8.2	484	3.2	3.6	0.95	360	66	

The bullets in the product code indicate choice of mounting arrangement, voltage and frequency, generation code (see ordering information page).

General purpose aluminum motors, premium efficiency

Data acc. to IEC 60034-2, determination of efficiency

IP 55 – IC 411 – Insulation class F, temperature rise class B

Output kW	Motor type	Product code	Speed r/min	Efficiency		Power factor cos φ	Current		Torque			Moment of inertia J=1/4 GD ² kgm ²	Weight kg	Sound pressure level L _p dB(A)	
				Full load 100%	3/4 load 75%		I _N A	I _s A	T _N Nm	T _s Nm	T _{max} Nm				
1000 r/min = 6 poles			400 V 50 Hz						Basic design						
2.2	M3AA 112 M	3GAA 113 022-••C	945	83.6	84.2	0.76	5.1	6.0	22.3	2.4	2.9	0.018	33	54	
3	M3AA 132 S	3GAA 133 024-••C	965	86.7	87.1	0.79	6.4	7.0	29.8	2.2	2.8	0.038	46	61	
4	M3AA 132 MA	3GAA 133 025-••C	960	87.4	88.2	0.80	8.3	7.0	39.8	2.9	2.7	0.045	54	61	
5.5	M3AA 132 MB	3GAA 133 026-••C	960	87.0	87.6	0.78	12	7.3	54	3.5	3.0	0.049	59	61	
7.5	M3AA 160 M	3GAA 163 121-••C	975	90.7	91.1	0.77	15.6	7.8	74	2.4	3.3	0.107	102	59	
11	M3AA 160 L	3GAA 163 122-••C	970	90.9	91.5	0.78	23	6.8	108	2.3	2.8	0.127	117	61	
15	M3AA 180 L	3GAA 183 121-••C	970	92.2	92.4	0.75	31	8.3	147	2.8	3.9	0.237	160	59	
18.5	M3AA 200 MLB	3GAA 203 021-••C	985	92.4	92.4	0.81	36	8.3	180	3.7	3.3	0.43	185	¹⁾	
22	M3AA 200 MLC	3GAA 203 022-••C	985	92.9	93.0	0.82	42	8.3	214	4.0	3.0	0.49	200	¹⁾	
30	M3AA 225 SMC	3GAA 223 021-••C	985	93.6	93.8	0.83	56	7.5	291	3.8	2.8	0.75	252	¹⁾	
37	M3AA 250 SMB	3GAA 253 021-••C	985	94.4	94.4	0.82	69	7.4	358	3.3	2.8	1.49	320	¹⁾	
750 r/min = 8 poles			400 V 50 Hz						Basic design						
1.5	M3AA 112 M	3GAA 114 022-••C	695	74.6	75.5	0.69	4.1	4.0	20.8	1.6	2.2	0.018	33	¹⁾	
2.2	M3AA 132 S	3GAA 134 023-••C	720	83.7	83.3	0.67	5.9	5.4	29.2	1.9	2.7	0.045	53	¹⁾	
3	M3AA 132 M	3GAA 134 024-••C	715	82.8	83.1	0.70	7.8	5.2	40.1	2.1	2.5	0.049	59	¹⁾	
4	M3AA 160 MA	3GAA 164 121-••C	720	86.3	87.1	0.69	9.8	5.0	53	2.1	2.5	0.091	88	¹⁾	
5.5	M3AA 160 M	3GAA 164 122-••C	725	86.9	87.3	0.66	14.1	5.8	73	2.4	3.1	0.131	118	¹⁾	
7.5	M3AA 160 L	3GAA 164 123-••C	715	87.0	87.7	0.70	18.2	5.4	100	2.1	2.7	0.131	118	¹⁾	
11	M3AA 180 L	3GAA 184 121-••C	720	87.8	89.2	0.75	24	6.0	147	3.2	2.6	¹⁾	¹⁾	¹⁾	
15	M3AA 200 MLB	3GAA 204 021-••C	735	92.1	92.5	0.81	29	7.9	195	3.2	3.3	0.54	200	¹⁾	
18.5	M3AA 225 SMB	3GAA 224 021-••C	735	92.4	92.8	0.76	38	6.6	241	2.5	3.0	0.68	225	¹⁾	
22	M3AA 225 SMC	3GAA 224 022-••C	735	92.5	92.8	0.75	46	7.1	286	3.0	3.3	0.8	255	¹⁾	
30	M3AA 250 SMB	3GAA 254 021-••C	740	93.6	94.0	0.78	60	7.5	389	2.8	3.3	1.52	320	¹⁾	

¹⁾ On request.

The bullets in the product code indicate choice of mounting arrangement, voltage and frequency, generation code (see ordering information page).

Data at voltage ranges

Rated data at voltage codes S and D



Single-speed motors of size 112 to 132 can be produced with voltage codes S and D, i.e., voltage range at both 50 and 60 Hz. The current rating for each voltage range is specified on the rating plate. It represents the highest current that can exist within the voltage

range at the rated output. The power factor and speed specified on the rating plate apply at the average voltage within the range.

Output in kW		Design ³⁾	Motor type	Product code	Current in A ¹⁾ at		Speed in r/min		Power factor cos φ	
50 Hz	60 Hz				380-420 V 50 Hz	440-480 V 60 Hz	380-420 V 50 Hz	440-480 V 60 Hz	380-420 V 50 Hz	440-480 V 60 Hz
3000/3600 r/min = 2 poles										
4	4.6	⁴⁾	M2AA 112 M	111 001-••A	7.8	7.7	2850	3450	0.91	0.91
4	4.6		M3AA 112 M	111 022-••C	7.6	7.4	2860	3460	0.93	0.93
5.5	6.4	²⁾ HO	M3AA 112 MB	111 002-••C	10.5	10.4	2855	3455	0.93	0.93
5.5	6.4	⁴⁾	M2AA 132 SA	131 001-••A	10.9	11	2855	3455	0.88	0.88
5.5	6.4		M3AA 132 SA	131 023-••C	10.7	10.7	2900	3500	0.88	0.87
7.5	8.6	⁴⁾	M2AA 132 SB	131 002-••A	14.7	14.4	2855	3455	0.90	0.90
7.5	8.6		M3AA 132 SB	131 024-••C	13.9	13.8	2915	3515	0.90	0.89
9.2	10.6	²⁾ HO	M3AA 132 SBB	131 004-••C	17.6	17.3	2840	3440	0.92	0.92
11	12.6	²⁾ HO	M3AA 132 SC	131 003-••C	21	20	2835	3445	0.93	0.93
1500/1800 r/min = 4 poles										
3	3.5		M3AA 112 MA	112 021-••C	6.5	6.4	1450	1750	0.81	0.8
4	4.6	⁴⁾	M2AA 112 M	112 001-••A	8.9	8.6	1435	1735	0.80	0.81
4	4.6		M3AA 112 M	112 022-••C	9	8.6	1455	1755	0.76	0.76
5.5	6.4	²⁾ HO	M3AA 112 MB	112 002-••C	11.7	11.6	1425	1725	0.83	0.83
5.5	6.4	⁴⁾	M2AA 132 S	132 001-••A	11.5	11.5	1450	1750	0.83	0.83
5.5	6.4		M3AA 132 S	132 023-••C	11.1	11.1	1460	1760	0.84	0.84
7.5	8.6	⁴⁾	M2AA 132 M	132 002-••A	15.3	15.1	1450	1750	0.83	0.83
7.5	8.6		M3AA 132 M	132 024-••C	14.6	14.3	1450	1750	0.87	0.86
9.2	10.6	²⁾ HO	M3AA 132 MBA	132 004-••C	18.4	18.2	1445	1745	0.87	0.87
11	12.6	²⁾ HO	M3AA 132 MB	132 003-••C	22	22	1450	1750	0.86	0.86

¹⁾ Recalculation factors

Multiply by 1.73 when recalculating:
from 380-420 V to 220-240 V 50 Hz
from 440-480 V to 250-280 V 50 Hz

²⁾ Class F temperature rise

³⁾ High-output design.

⁴⁾ Efficiency class EFF2.

Data at voltage ranges

Rated data at voltage codes S and D

Single-speed motors of size 112 to 132 can be produced with voltage codes S and D, i.e., voltage range at both 50 and 60 Hz. The current rating for each voltage range is specified on the rating plate. It represents the highest current that can exist within the voltage range

at the rated output. The power factor and speed specified on the rating plate apply at the average voltage within the range.

Output in kW		Design ³⁾	Motor type	Product code	Current in A ¹⁾ at		Speed in r/min		Power factor cos φ	
50 Hz	60 Hz				380-420 V 50 Hz	440-480 V 60 Hz	380-420 V 50 Hz	440-480 V 60 Hz	380-420 V 50 Hz	440-480 V 60 Hz
1000/1200 r/min = 6 poles										
2.2	2.5		M3AA 112 M	113 001-••C	5.4	5.3	940	1140	0.74	0.74
3.0	3.5	HO	M3AA 112 MB	113 002-••C	7.3	7.3	935	1135	0.76	0.75
3.0	3.5		M3AA 132 S	133 001-••C	7.1	7.0	960	1160	0.75	0.75
4.0	4.6		M3AA 132 MA	133 002-••C	8.9	8.9	960	1160	0.78	0.78
5.5	6.4		M3AA 132 MB	133 003-••C	12.2	12.2	955	1155	0.78	0.78
6.5	7.5	HO	M3AA 132 MC	133 004-••C	15.2	14.9	960	1160	0.75	0.76
750/900 r/min = 8 poles										
1.5	1.7		M3AA 112 M	114 001-••C	4.6	4.4	695	845	0.65	0.65
2.0	2.3	HO	M3AA 112 MB	114 002-••C	6	6	685	835	0.67	0.66
2.2	2.5		M3AA 132 S	134 001-••C	5.9	5.9	720	870	0.67	0.66
3.0	3.5		M3AA 132 M	134 002-••C	7.8	7.8	720	870	0.68	0.68
3.8	4.4	HO	M3AA 132 MB	134 003-••C	10	10	710	860	0.69	0.69

1) Recalculation factors.

Multiply by 1.73 when recalculating:

from 380-420 V to 220-240 V 50 Hz

from 440-480 V to 250-280 V 60 Hz

2) Class F temperature rise.

3) High-output design.

4) Efficiency class EFF2.

General purpose aluminum motors

Technical data for totally enclosed squirrel cage three phase motors, two-speed

IP 55 – IC 411 – Insulation class F, temperature rise class F

Output kW	Motor type	Product code	Speed r/min	Efficiency %	Power factor cos φ	Current		Torque			Moment of inertia J=1/4 GD ² kgm ²	Weight kg
						I _N A	I _s / I _N	T _N Nm	T _s / T _N	T _{max} / T _N		
3000/1500 r/min = 2/4 poles			400 V 50 Hz			Fan drive, two separate windings						
0.65/0.14	M3VA 80 A	3GVA 087 121-••B	2860/1450	73.0/57.0	0.85/0.57	1.5/0.58	4.8/3.6	2.18/0.93	1.9/2.0	2.2/2.3	0.0008	9
0.95/0.2	M3VA 80 B	3GVA 087 122-••B	2850/1440	75.0/61.0	0.87/0.69	2.1/0.7	5.0/3.7	3.19/1.33	2.0/1.8	2.2/2.2	0.0009	11
1.1/0.25	M3VA 80 C	3GVA 087 123-••B	2860/1440	77.0/63.0	0.87/0.70	2.4/0.85	5.3/3.8	3.7/1.7	2.0/1.8	2.2/2.0	0.0012	12
1.4/0.22	M3AA 90 S	3GAA 098 201-••E	2870/1470	77.0/48.0	0.87/0.63	3/1.1	5.3/3.3	4.6/1.4	1.7/1.0	2.4/2.3	0.0019	13
1.9/0.3	M3AA 90 L	3GAA 098 202-••E	2880/1470	78.0/53.0	0.87/0.68	4/1.1	5.8/3.7	6.3/1.9	1.9/1.0	2.5/2.3	0.0024	16
2.5/0.4	M3AA 100 L	3GAA 108 201-••E	2900/1470	80.0/60.0	0.87/0.67	5.2/1.5	6.5/4.1	8.2/2.6	2.1/1.0	3.0/2.7	0.0041	21
3.5/0.6	M3AA 112 M	3GAA 118 204-••C	2895/1470	83.0/68.0	0.92/0.60	6.6/2.1	7.0/5.8	11.5/3.9	1.7/1.8	2.3/2.8	0.012	32
5.5/1	M3AA 132 S	3GAA 138 207-••C	2900/1470	84.0/64.0	0.88/0.65	10.8/3.5	7.8/5.7	18.1/6.5	2.4/2.0	2.9/2.8	0.016	42
7.4/1.2	M3AA 132 M	3GAA 138 208-••C	2875/1475	85.0/67.0	0.93/0.64	13.5/4.1	7.5/5.9	24.6/7.8	2.1/2.0	2.6/2.8	0.022	56
13/1.9	M3AA 160 M	3GAA 168 352-••C	2940/1470	88.5/79.5	0.92/0.79	23/4.4	7.8/6.4	42/12	2.1/2.1	3.0/2.5	0.054	92
17.5/2.5	M3AA 160 L	3GAA 168 353-••C	2925/1475	89.0/81.0	0.92/0.77	31/5.8	7.1/6.7	57/16	2.0/2.5	2.6/2.9	0.057	99
20/2.8	M3AA 180 M	3GAA 188 357-••C	2930/1465	89.0/77.0	0.90/0.77	36/6.9	6.4/5.8	65/18	2.1/1.9	2.4/2.0	0.094	132
25/3.6	M3AA 180 L	3GAA 188 358-••C	2940/1465	90.0/78.0	0.88/0.78	46/8.6	7.5/7.3	81/24	2.6/1.9	2.9/1.9	0.108	152
30/4.1	M3AA 200 MLA	3GAA 208 210-••C	2945/1480	91.5/85.0	0.89/0.72	54/10	8.0/7.1	97/26	2.2/2.7	2.8/2.8	0.15	175
38/5.5	M3AA 200 MLB	3GAA 208 211-••C	2945/1480	92.5/86.5	0.91/0.74	67/13	7.7/6.8	123/35	2.2/2.6	2.6/2.6	0.19	205
43/6	M3AA 225 SMB	3GAA 228 207-••C	2950/1475	92.5/86.5	0.90/0.78	75/13	7.1/5.8	139/39	2.3/2.7	2.4/2.0	0.26	235
50/7	M3AA 225 SMC	3GAA 228 208-••C	2955/1480	93.0/87.5	0.91/0.78	86/15	7.3/6.1	162/45	2.4/2.9	2.4/2.1	0.29	260
70/10	M3AA 250 SMB	3GAA 258 204-••C	2965/1485	94.0/89.5	0.90/0.76	119/22	9.3/7.1	225/64	2.3/2.5	3.1/2.3	0.57	330
3000/1500 r/min = 2-4 poles			400 V 50 Hz			Fan drive, Dahlander-connection						
0.22/0.044	M3VA 63 A	3GVA 068 121-••A	2770/1420	65.0/50.0	0.76/0.65	0.65/0.2	3.6/3.5	0.75/0.29	2.1/2.4	2.2/2.5	0.00019	4
0.33/0.07	M3VA 63 B	3GVA 068 122-••A	2700/1380	53.0/45.0	0.82/0.77	1.1/0.3	2.7/2.7	1.17/0.49	1.6/2.0	1.7/2.1	0.00026	4.5
0.37/0.08	M3VA 71 A	3GVA 078 121-••C	2690/1460	64.0/42.0	0.92/0.47	0.9/0.6	3.3/4.3	1.31/0.52	1.8/2.1	1.9/2.2	0.00066	5.5
0.55/0.12	M3VA 71 B	3GVA 078 122-••C	2700/1470	67.0/55.0	0.91/0.42	1.3/0.75	3.8/3.4	1.94/0.78	1.4/2.2	1.5/2.2	0.00089	6.5
0.65/0.13	M3VA 71 C	3GVA 078 123-••C	2800/1400	69.0/50.0	0.85/0.44	1.6/0.85	4.1/3.5	2.2/0.88	1.5/2.3	1.6/2.4	0.0011	7
0.85/0.2	M3VA 80 A	3GVA 088 121-••B	2850/1440	77.0/65.0	0.85/0.64	1.9/0.7	5.0/4.1	2.86/1.33	2.1/2.3	2.3/2.6	0.0008	9
1.1/0.25	M3VA 80 B	3GVA 088 122-••B	2855/1450	79.0/68.0	0.84/0.63	2.4/0.85	5.3/4.2	3.7/1.65	2.3/2.5	2.5/2.7	0.0009	11
1.4/0.35	M3VA 80 C	3GVA 088 123-••B	2845/1440	79.0/70.0	0.85/0.67	3/1.1	5.4/4.4	4.7/2.32	2.3/2.4	2.4/2.6	0.0012	11
1.5/0.33	M3AA 90 S	3GAA 098 101-••E	2860/1460	77.0/66.0	0.87/0.67	3.3/1.1	5.2/3.9	5.2/1	1.8/1.1	2.4/2.1	0.0019	13
2.2/0.45	M3AA 90 L	3GAA 098 102-••E	2860/1460	80.0/73.0	0.88/0.65	4.6/1.4	5.9/4.4	7.3/2.9	2.1/1.2	2.6/2.3	0.0024	16
2.5/0.47	M3AA 90 LB	3GAA 098 103-••E	2860/1460	78.0/75.0	0.88/0.62	5.2/1.5	6.1/4.5	8.3/3.1	2.2/1.4	2.5/2.3	0.0027	18
3/0.6	M3AA 100 L	3GAA 108 101-••E	2880/1470	81.0/74.0	0.89/0.61	6.2/1.9	6.3/4.8	9.9/3.9	2.2/1.4	2.8/2.8	0.0041	21
4.5/1	M3AA 112 M	3GAA 118 104-••C	2875/1450	83.0/80.0	0.93/0.76	8.4/2.4	7.0/6.0	14.9/6.6	1.8/1.9	2.3/2.8	0.012	32
6.2/1.3	M3AA 132 S	3GAA 138 127-••C	2880/1455	84.0/80.0	0.91/0.67	11.8/3.5	7.0/6.5	20.6/8.5	2.0/2.6	2.6/3.3	0.016	42
8.3/1.7	M3AA 132 M	3GAA 138 108-••C	2875/1455	84.0/82.0	0.93/0.71	15.4/4.2	7.4/6.6	27.6/11.2	2.5/2.7	2.7/3.3	0.022	56
10/2	M3AA 160 MA	3GAA 168 301-••C	2910/1465	85.0/83.5	0.89/0.73	19/4.8	5.9/6.1	30/43	1.5/2.4	2.3/2.8	0.039	73
16/3.2	M3AA 160 M	3GAA 168 302-••C	2915/1465	87.5/86.5	0.92/0.76	28.5/7	6.6/6.3	52/21	1.8/2.5	2.4/2.8	0.054	92
19.5/4.5	M3AA 160 L	3GAA 168 303-••C	2930/1465	89.0/88.0	0.89/0.77	36/9.7	7.6/6.4	64/29	2.3/2.5	2.9/2.8	0.057	99
21.5/4.7	M3AA 180 M	3GAA 188 305-••C	2935/1465	90.0/88.0	0.91/0.77	38/10	7.0/5.3	70/28	2.1/2.1	2.6/2.3	0.094	132
26/5.2	M3AA 180 L	3GAA 188 306-••C	2940/1470	90.5/89.5	0.89/0.75	47/11	6.9/5.8	85/34	2.3/2.4	2.6/2.4	0.108	152
32/8	M3AA 200 MLA	3GAA 208 110-••C	2940/1465	90.0/89.5	0.89/0.85	58/16	7.1/6.2	104/52	2.0/2.0	2.5/2.2	0.28	180
39/10	M3AA 200 MLB	3GAA 208 111-••C	2950/1475	91.5/91.0	0.89/0.85	69/19	7.4/6.2	126/65	2.0/2.0	2.6/2.3	0.34	205
42/11	M3AA 200 MLC	3GAA 208 112-••C	2950/1470	92.5/91.0	0.89/0.77	75/23	7.7/5.6	136/71	2.2/2.1	3.0/2.5	0.19	205
45/13	M3AA 225 SMB	3GAA 228 107-••C	2955/1475	93.0/91.5	0.92/0.82	76/25	7.4/5.3	145/84	2.0/2.0	2.6/2.1	0.27	235
55/15	M3AA 225 SMC	3GAA 228 108-••C	2955/1475	93.5/92.5	0.91/0.82	94/29	7.3/5.4	178/97	2.0/2.0	2.6/2.2	0.3	260
75/25	M3AA 250 SMB	3GAA 258 104-••C	2965/1475	94.5/93.0	0.92/0.82	125/48	8.9/5.5	241/162	2.3/2.0	3.1/2.2	0.36	330

Data for motor size 280 on request.

The bullets in the product code indicate choice of mounting arrangement, voltage and frequency, generation code (see ordering information page).

General purpose aluminum motors

Technical data for totally enclosed squirrel cage three phase motors, two-speed

IP 55 – IC 411 – Insulation class F, temperature rise class F

Output kW	Motor type	Product code	Speed r/min	Efficiency %	Power factor cos φ	Current		Torque			Moment of inertia J=1/4 GD ² Weight	
						I _N A	I _s I _N	T _N Nm	T _s T _N	T _{max} T _N	kgm ²	kg
1500/750 r/min = 4/8 poles			400 V 50 Hz			Fan drive, two separate windings						
0.18/0.025	M3VA 71 A	3GVA 077 241-••C	1420/710	50.0/26.0	0.76/0.60	0.7/0.35	2.7/2.1	1.22/0.34	1.5/3.9	1.9/3.9	0.00066	5.5
0.3/0.05	M3VA 71 B	3GVA 077 242-••C	1400/700	54.0/34.0	0.80/0.60	1/0.45	2.7/2.1	2.1/0.69	1.5/2.8	1.7/2.8	0.00089	6.5
0.48/0.075	M3VA 80 A	3GVA 087 241-••B	1400/710	64.0/35.0	0.79/0.51	1.4/0.55	3.4/2.4	3.3/1	1.7/2.2	1.7/2.6	0.0013	9
0.63/0.1	M3VA 80 B	3GVA 087 242-••B	1400/710	68.0/40.0	0.81/0.50	1.65/0.75	3.7/2.5	4.4/1.35	1.8/2.3	1.8/2.6	0.0016	11
0.73/0.12	M3VA 80 C	3GVA 087 243-••B	1400/710	70.0/42.0	0.80/0.50	1.9/0.85	4.1/2.6	5/1.7	2.0/2.3	2.0/2.5	0.002	12
1/0.13	M3AA 90 S	3GAA 098 207-••E	1400/700	71.0/38.0	0.83/0.70	2.6/0.72	3.9/2.1	6.8/1.8	1.5/1.0	2.0/1.7	0.0032	13
1.4/0.18	M3AA 90 L	3GAA 098 208-••E	1420/710	74.0/41.0	0.81/0.60	3.5/1.1	4.5/2.3	9.4/2.4	1.7/1.1	2.3/2.1	0.0043	16
1.85/0.25	M3AA 100 LA	3GAA 108 206-••E	1430/720	78.0/45.0	0.84/0.60	4.2/1.4	4.9/2.5	12/3.3	1.7/1.1	2.3/2.1	0.0069	20
2.3/0.33	M3AA 100 LB	3GAA 108 207-••E	1430/720	80.0/49.0	0.86/0.60	5/1.6	5.2/2.6	15/4.3	1.8/1.1	2.4/2.2	0.0082	23
3/0.4	M3AA 112 M	3GAA 118 206-••C	1440/730	81.0/51.0	0.87/0.58	6.2/2	6.8/3.8	19.9/5.2	1.5/1.6	2.4/2.6	0.018	32
4/0.6	M3AA 132 S	3GAA 138 231-••C	1465/740	84.0/51.0	0.84/0.53	8.2/3.2	6.5/3.5	26.1/7.7	1.5/1.1	2.4/2.5	0.038	48
5.5/0.9	M3AA 132 M	3GAA 138 232-••C	1455/735	84.0/53.0	0.87/0.64	10.9/3.9	6.2/3.1	36.1/11.7	1.5/1.1	2.2/2.0	0.048	59
9/1.3	M3AA 160 M	3GAA 168 356-••C	1460/735	87.0/60.0	0.84/0.53	18/5.9	6.6/4.0	59/17	2.0/2.2	2.5/2.7	0.089	92
13/1.8	M3AA 160 L	3GAA 168 357-••C	1455/735	88.0/64.0	0.85/0.53	26/8.2	6.0/4.1	89/26	1.9/2.2	2.3/2.6	0.119	117
16/2.3	M3AA 180 M	3GAA 188 361-••C	1475/740	88.5/64.0	0.82/0.53	32/9.7	6.8/4.1	104/30	2.2/2.2	2.7/2.6	0.176	130
19/2.7	M3AA 180 L	3GAA 188 362-••C	1475/740	89.5/68.0	0.83/0.54	37/10.5	7.5/7.2	123/35	2.6/2.6	2.9/2.6	0.224	159
26/3.3	M3AA 200 MLA	3GAA 208 216-••C	1475/740	91.0/73.0	0.85/0.59	49/11	6.9/4.6	168/46	2.1/2.2	2.5/2.3	0.28	180
30/3.8	M3AA 200 MLB	3GAA 208 217-••C	1470/740	91.5/75.5	0.86/0.59	55/12.5	6.7/4.6	195/49	2.1/2.2	2.4/2.2	0.34	205
38/5.2	M3AA 225 SMB	3GAA 228 211-••C	1480/740	91.5/80.5	0.84/0.63	72/15	7.3/5.2	245/67	2.1/2.3	2.6/2.3	0.41	230
46/7	M3AA 225 SMC	3GAA 228 212-••C	1480/740	92.5/82.0	0.86/0.66	85/19	7.7/4.9	297/90	2.3/2.1	2.7/2.1	0.49	265
63/10	M3AA 250 SMB	3GAA 258 206-••C	1475/740	93.5/83.0	0.89/0.65	110/27	7.5/6.0	408/129	2.4/3.0	2.7/2.7	0.89	335
1500/750 r/min = 4-8 poles			400 V 50 Hz			Fan drive, Dahlander-connection						
0.18/0.037	M3VA 71 A	3GVA 078 241-••C	1380/720	58.0/17.0	0.74/0.50	0.6/0.7	3.5/1.7	1.24/0.49	1.7/1.7	1.8/1.8	0.00066	5.5
0.37/0.09	M3VA 71 B	3GVA 078 242-••C	1360/700	58.0/19.0	0.84/0.52	1.1/1.2	3.1/1.7	2.6/1.2	1.3/1.8	1.4/1.9	0.00089	6.5
0.45/0.1	M3VA 71 C	3GVA 078 243-••C	1390/685	60.0/24.0	0.78/0.51	1.4/1.2	3.5/2.6	3.1/1.4	1.7/1.3	1.8/1.4	0.0011	7
0.55/0.13	M3VA 80 A	3GVA 088 241-••B	1410/680	64.0/50.0	0.70/0.60	1.8/0.65	3.8/2.4	3.74/1.83	2.2/1.6	2.2/1.6	0.0013	9
0.75/0.17	M3VA 80 B	3GVA 088 242-••B	1400/675	67.0/53.0	0.75/0.62	2.15/0.75	4.0/2.4	5.13/2.41	2.0/1.4	2.0/1.4	0.0016	10
0.9/0.2	M3VA 80 C	3GVA 088 243-••B	1400/680	70.0/56.0	0.76/0.62	2.45/0.85	4.3/2.5	6.15/2.82	2.3/1.5	2.3/2.5	0.002	11
1.1/0.26	M3AA 90 S	3GAA 098 104-••E	1410/700	73.0/53.0	0.80/0.63	2.8/1.2	4.2/2.4	7.4/3.6	1.8/1.2	2.3/1.9	0.0032	13
1.7/0.35	M3AA 90 L	3GAA 098 105-••E	1390/700	74.0/57.0	0.82/0.57	4/1.6	4.5/2.5	10.3/4.7	2.2/1.5	2.6/2.1	0.0043	16
1.8/0.35	M3AA 90 LB	3GAA 098 106-••E	1400/710	76.0/60.0	0.83/0.56	4.2/1.5	4.3/2.7	12/4.8	1.9/1.6	2.3/2.3	0.0048	18
2.3/0.5	M3AA 100 LA	3GAA 108 103-••E	1415/715	76.0/63.0	0.84/0.60	5.2/1.9	4.6/2.7	15.5/6.7	1.8/1.2	2.4/1.9	0.0069	20
2.8/0.6	M3AA 100 LB	3GAA 108 104-••E	1430/720	81.0/68.0	0.82/0.58	6.4/2.2	5.2/3.0	18/8	2.0/1.2	2.6/2.2	0.0082	23
3/0.65	M3AA 100 LC	3GAA 108 105-••E	1430/720	81.0/67.0	0.81/0.56	6.8/2.5	5.6/3.0	20/8.7	2.2/1.3	2.8/2.3	0.009	26
3.5/0.7	M3AA 112 M	3GAA 118 126-••C	1430/720	81.0/71.0	0.89/0.58	7/2.5	6.8/4.4	23.4/9.3	1.6/1.7	2.5/2.7	0.018	32
5/1	M3AA 132 S	3GAA 138 131-••C	1450/725	83.0/74.0	0.87/0.59	9.9/3.3	6.4/3.6	32.9/13.2	1.5/1.0	2.3/2.0	0.038	48
6.8/1.4	M3AA 132 M	3GAA 138 132-••C	1460/730	85.0/73.0	0.84/0.55	13.7/5.1	7.6/3.6	44.5/18.3	2.0/1.4	2.8/2.7	0.048	59
10.5/2.2	M3AA 160 M	3GAA 168 304-••C	1460/735	87.5/79.0	0.84/0.54	21/7.4	6.9/3.7	69/29	2.2/1.5	2.7/2.3	0.089	92
15.5/2.7	M3AA 160 L	3GAA 168 305-••C	1460/735	88.5/79.5	0.85/0.51	30.9/5	6.9/3.9	101/35	2.2/1.7	2.6/2.6	0.119	117
17/3.4	M3AA 180 M	3GAA 188 307-••C	1470/730	88.5/78.0	0.85/0.56	33/11	5.8/4.3	111/44	1.7/1.2	2.3/1.9	0.176	137
22/4.4	M3AA 180 L	3GAA 188 308-••C	1475/735	89.5/79.0	0.83/0.53	43/15	6.7/3.9	143/57	2.0/1.7	2.6/2.3	0.224	161
29/6.5	M3AA 200 MLA	3GAA 208 116-••C	1470/730	90.5/86.0	0.86/0.64	54/17	6.9/4.2	188/81	2.2/1.9	2.4/1.9	0.28	180
33/8	M3AA 200 MLB	3GAA 208 117-••C	1475/730	91.5/86.5	0.86/0.64	61/21	7.8/4.2	214/105	2.6/1.9	2.6/1.8	0.34	205
42/10	M3AA 225 SMB	3GAA 228 111-••C	1480/740	92.0/89.5	0.86/0.64	85/27	7.8/5.0	271/129	2.5/2.2	3.0/2.3	0.49	265
50/11	M3AA 225 SMC	3GAA 228 112-••C	1465/735	92.5/89.5	0.87/0.65	91/28	7.3/4.7	324/143	2.3/2.0	2.5/2.0	0.49	265
60/15	M3AA 250 SMB	3GAA 258 106-••C	1475/735	93.0/90.0	0.86/0.70	104/34	7.9/4.7	388/195	2.6/2.1	2.7/2.0	0.89	335

General purpose aluminum motors

Technical data for totally enclosed squirrel cage three phase motors, two-speed

IP 55 – IC 411 – Insulation class F, temperature rise class F

Output kW	Motor type	Product code	Speed r/min	Efficiency %	Power factor cos φ	Current		Torque			Moment of inertia J=1/4 GD ² kgm ²	Weight kg
						I _N A	I _s / I _N	T _N Nm	T _s / T _N	T _{max} / T _N		
1500/1000 r/min = 4/6 poles			400 V 50 Hz			Fan drive, two separate windings						
0.18/0.05	M3VA 71 A	3GVA 077 231-••C	1400/900	56.0/27.0	0.76/0.79	0,6/0,4	3,0/2,1	1,22/0,53	1,1/1,1	1,2/1,2	0.00066	5.5
0.3/0.1	M3VA 71 B	3GVA 077 232-••C	1350/900	54.0/30.0	0.86/0.79	0,9/0,6	2,8/2,0	2,1/1,06	1,0/1,1	1,1/1,1	0.00089	6.5
0.5/0.19	M3VA 80 A	3GVA 087 231-••B	1370/930	60.0/53.0	0.84/0.77	1,4/0,7	2,9/3,1	3,5/1,96	1,4/1,5	1,4/1,5	0.0019	9
0.66/0.25	M3VA 80 B	3GVA 087 232-••B	1390/935	63.0/59.0	0.85/0.78	1,75/0,8	3,3/3,3	4,55/2,56	1,6/1,5	1,6/1,6	0.0022	10
0.78/0.3	M3VA 80 C	3GVA 087 233-••B	1400/940	66.0/60.0	0.84/0.73	2/1	3,6/3,8	5,33/3,06	1,8/1,9	1,8/2,1	0.0025	10
1/0.3	M3AA 90 S	3GAA 098 204-••E	1400/940	73.0/53.0	0.83/0.70	2,5/1,2	4,2/2,6	6,8/3	1,8/1,0	2,2/1,7	0.0032	13
1.5/0.45	M3AA 90 L	3GAA 098 205-••E	1400/930	72.0/52.0	0.84/0.73	3,5/1,6	4,3/2,9	10/4,5	1,7/1,0	2,1/1,8	0.0043	16
2/0.6	M3AA 100 LA	3GAA 108 203-••E	1430/960	77.0/62.0	0.85/0.72	4,5/2	5,0/3,3	13/5,9	1,8/1,0	2,4/1,9	0.0069	20
2.5/0.8	M3AA 100 LB	3GAA 108 204-••E	1430/960	79.0/68.0	0.84/0.71	5,5/2,5	5,6/3,5	16/7,9	2,0/1,1	2,5/2,0	0.0082	23
3/1	M3AA 112 M	3GAA 118 205-••C	1445/975	82.0/67.0	0.84/0.68	6,3/3,1	6,0/4,0	19,8/9,8	1,3/1,0	2,3/2,2	0.018	33
4.5/1.5	M3AA 132 S	3GAA 138 229-••C	1460/985	83.0/67.0	0.85/0.64	9,2/5,1	6,5/4,2	29,4/14,5	1,5/1,0	2,3/2,2	0.038	48
6/2	M3AA 132 M	3GAA 138 230-••C	1460/980	84.0/71.0	0.86/0.73	12/5,6	7,1/4,5	39,2/19,5	1,8/1,3	2,5/2,0	0.048	59
10.5/3.5	M3AA 160 M	3GAA 168 354-••C	1460/965	87.0/75,5	0.84/0.78	21/8,6	6,4/4,1	69/35	2,0/1,3	2,5/1,7	0.089	93
14.5/4.5	M3AA 160 L	3GAA 168 355-••C	1460/970	88.5/77.0	0.85/0.76	28/11	6,9/4,6	95/44	2,2/1,5	2,6/1,9	0.119	117
16/5	M3AA 180 M	3GAA 188 359-••C	1470/980	89.0/78.0	0.83/0.73	31/12,5	6,3/4,6	104/49	1,9/1,5	2,5/2,0	0.176	131
20/6.5	M3AA 180 L	3GAA 188 360-••C	1470/980	90.0/79.5	0.83/0.74	39,0/16	7,2/5,0	130/63	2,4/1,8	2,7/2,0	0.224	159
23/7.2	M3AA 200 MLA	3GAA 208 213-••C	1475/985	89.5/84.0	0.88/0.87	43/15	7,7/7,8	149/70	1,6/1,9	2,8/2,9	0.44	175
30/9	M3AA 200 MLB	3GAA 208 214-••C	1470/990	90.0/86.6	0.90/0.84	54/18,2	7,7/9,5	195/87	1,6/1,7	2,7/2,9	0.53	200
34/11	M3AA 225 SMB	3GAA 228 209-••C	1470/985	91.0/85.0	0.91/0.89	60/21	7,7/6,7	221/107	1,5/1,3	2,7/2,3	0.67	225
42/14	M3AA 225 SMC	3GAA 228 210-••C	1475/985	91.5/89.0	0.89/0.89	75/27	8,4/6,8	272/136	1,7/1,4	3,0/2,3	0.78	255
63/18.5	M3AA 250 SMB	3GAA 258 205-••C	1475/985	93.5/87.0	0.89/0.79	110/40	7,5/7,3	408/179	2,4/3,0	2,7/2,6	0.89	335
1000/750 r/min = 6/8 poles			400 V 50 Hz			Fan drive, two separate windings						
0.25/0.1	M3VA 80 A	3GVA 087 341-••B	945/725	57.0/41.0	0.68/0.55	0,95/0,65	3,2/2,8	2,6/1,32	2,0/2,4	2,2/2,9	0.0019	9
0.33/0.14	M3VA 80 B	3GVA 087 342-••B	940/720	62.0/46.0	0.74/0.56	1,05/0,8	3,4/3,1	3,36/1,86	1,9/2,5	1,9/3,0	0.0022	10
0.45/0.2	M3AA 90 S	3GAA 098 210-••E	940/700	59.0/44.0	0.72/0.67	1,6/1	3,1/2,2	4,6/2,7	1,4/1,0	2,0/1,7	0.0032	13
0.7/0.3	M3AA 90 L	3GAA 098 211-••E	930/690	63.0/45.0	0.75/0.64	2,2/1,5	3,1/2,3	7,2/4,1	1,3/1,1	1,8/1,8	0.0043	16
0.9/0.4	M3AA 100 LA	3GAA 108 209-••E	950/720	68.0/55.0	0.77/0.61	2,5/1,8	3,4/2,7	9,1/5,3	1,2/1,1	1,8/1,8	0.0069	20
1.2/0.5	M3AA 100 LB	3GAA 108 210-••E	950/710	71.0/57.0	0.71/0.61	3,5/2,1	3,7/2,9	12/6,6	1,3/1,2	2,0/2,0	0.0082	23
17/7.5	M3AA 200 MLB	3GAA 208 221-••C	985/740	88.0/81.5	0.85/0.77	33/17	7,1/6,4	165/97	2,2/2,2	2,5/2,5	0.42	185
20/9	M3AA 200 MLC	3GAA 208 222-••C	985/740	88.5/82.5	0.84/0.74	39/21	7,6/7,0	194/116	2,4/2,6	2,7/2,9	0.48	200
26/12	M3AA 225 SMB	3GAA 228 215-••C	985/740	89.5/84.5	0.85/0.76	49/27	7,4/7,1	252/155	2,2/2,4	2,5/2,7	0.63	225
32/14	M3AA 225 SMC	3GAA 228 216-••C	985/740	90.5/85.5	0.83/0.76	62/31	7,0/7,2	310/180	2,4/2,5	2,4/2,5	0.74	250
43/15	M3AA 250 SMB	3GAA 258 208-••C	990/745	91.0/86.0	0.84/0.75	81/34	7,3/7,4	415/198	2,2/2,7	2,5/2,8	1.41	320
1000/500 r/min = 6-12 poles			400 V 50 Hz			Fan drive, Dahlander-connection						
0.4/0.08	M3VA 80 A	3GVA 088 361-••B	900/460	62.0/30.0	0.78/0.56	1,2/0,7	3,1/1,9	4,26/1,67	1,6/1,6	1,6/1,7	0.0019	9
0.5/0.105	M3VA 80 B	3GVA 088 362-••B	915/465	66.0/31.0	0.75/0.52	1,45/0,95	3,7/2,0	5,23/2,16	1,9/1,9	2,0/2,0	0.0022	10
0.5/0.08	M3AA 90 S	3GAA 098 107-••E	920/440	60.0/31.0	0.74/0.59	1,7/0,63	2,9/1,7	5,2/1,7	1,2/1,4	1,8/2,0	0.0032	13
0.6/0.12	M3VA 80 C	3GVA 088 363-••B	920/470	68.0/32.0	0.74/0.50	1,75/1,05	3,8/2,1	6,24/2,45	2,0/2,0	2,0/2,0	0.0025	11
0.75/0.12	M3AA 90 L	3GAA 098 108-••E	930/450	64.0/36.0	0.73/0.54	2,4/0,9	3,0/1,8	7,7/2,5	1,3/1,6	1,9/1,9	0.0043	16
0.9/0.16	M3AA 100 LA	3GAA 108 106-••E	940/470	69.0/45.0	0.73/0.49	2,6/0,96	3,6/2,1	9/3,2	1,3/1,2	2,0/1,8	0.0069	20
1.3/0.2	M3AA 100 LB	3GAA 108 107-••E	940/460	71.0/52.0	0.76/0.47	3,5/1,2	3,4/2,2	13/4	1,2/1,0	1,8/1,5	0.0082	23

Data for other sizes on request.

The bullets in the product code indicate choice of mounting arrangement, voltage and frequency, generation code (see ordering information page).

General purpose aluminum motors

Technical data for totally enclosed squirrel cage three phase motors, two-speed

IP 55 – IC 411 – Insulation class F, temperature rise class F

Output kW	Motor type	Product code	Speed r/min	Efficiency %	Power factor cos φ	Current		Torque			Moment of inertia J=1/4 GD ² kgm ²	Weight kg
						I _N A	I _s / I _N	T _N Nm	T _s / T _N	T _{max} / T _N		
3000/1500 r/min = 2/4 poles 400 V 50 Hz Constant torque, two separate windings												
0.58/0.28	M3VA 80 A	3GVA 089 121-••B	2850/1400	70.0/60.0	0.88/0.78	1.35/0.85	4.4/3.1	1.95/1.92	1.6/1.5	1.9/1.5	0.0008	9
0.7/0.36	M3VA 80 B	3GVA 089 122-••B	2860/1400	74.0/64.0	0.88/0.78	1.55/1.05	5.0/3.4	2.35/2.46	1.8/1.6	2.2/1.8	0.0009	11
0.85/0.42	M3VA 80 C	3GVA 089 123-••B	2890/1410	76.0/66.0	0.87/0.76	1.85/1.25	5.6/3.5	2.82/2.85	1.9/1.7	2.5/1.7	0.0012	12
1.1/0.55	M3AA 90 S	3GAA 098 213-••E	2900/1450	74.0/62.0	0.85/0.64	2.5/2	5.1/3.6	3.6/3.6	1.4/1.5	2.3/2.3	0.0019	13
1.5/0.75	M3AA 90 L	3GAA 098 214-••E	2900/1450	77.0/70.0	0.87/0.67	3.3/2.4	5.7/4.1	4.9/4.9	1.5/1.5	2.5/2.3	0.0024	16
2/1	M3AA 100 L	3GAA 108 212-••E	2900/1460	76.0/67.0	0.89/0.66	4.3/3.3	6.2/4.0	6.5/6.5	1.9/1.4	2.8/2.6	0.0041	21
2.6/1.3	M3AA 112 M	3GAA 118 201-••C	2900/1460	80.0/75.0	0.92/0.72	5.1/3.5	6.4/5.0	8.6/8.5	1.6/1.6	2.3/2.3	0.012	32
4.4/2.2	M3AA 132 SB	3GAA 138 201-••C	2925/1450	81.0/74.0	0.86/0.73	9.1/5.9	7.3/4.4	14.4/14.5	2.0/1.3	2.3/2.2	0.016	42
5.6/2.8	M3AA 132 M	3GAA 138 202-••C	2885/1440	82.0/77.0	0.93/0.75	10.6/7	6.7/5.0	18.5/18.6	1.8/1.4	2.1/2.2	0.022	56
12/6	M3AA 160 M	3GAA 168 359-••C	2835/1460	87.5/84.5	0.92/0.80	22/13	7.7/6.0	39/39	2.1/2.3	2.8/2.4	0.054	92
15/7.5	M3AA 160 L	3GAA 168 360-••C	2940/1460	88.5/84.5	0.93/0.78	27/16.5	7.9/6.0	49/49	2.2/2.4	2.9/2.4	0.057	99
18/9	M3AA 180 L	3GAA 188 352-••C	2945/1460	89.0/84.0	0.90/0.77	32/20	7.7/5.2	58/59	2.5/2.3	2.8/2.1	0.108	152
23/12	M3AA 200 MLA	3GAA 208 201-••C	2960/1475	90.0/89.0	0.89/0.85	42/23	7.8/7.4	74/77	1.7/2.2	2.8/2.5	0.28	178
30/16	M3AA 200 MLB	3GAA 208 202-••C	2960/1475	91.0/90.0	0.90/0.87	53/30	8.2/7.3	97/104	1.8/2.2	2.9/2.5	0.34	204
36/18	M3AA 225 SMB	3GAA 228 201-••C	2960/1480	91.5/91.5	0.91/0.76	63/38	8.0/7.2	116/116	2.5/3.8	2.7/2.5	0.26	236
40/20	M3AA 225 SMC	3GAA 228 202-••C	2960/1475	92.0/91.5	0.91/0.79	69/41	8.5/6.5	129/129	2.8/3.3	2.8/2.2	0.29	261
50/25	M3AA 250 SMB	3GAA 258 201-••C	2965/1485	93.0/93.0	0.91/0.76	86/52	8.9/8.5	161/161	2.1/3.5	2.9/2.9	0.57	333
3000/1500 r/min = 2-4 poles 400 V 50 Hz Constant torque, Dahlander-connection												
0.11/0.07	M3VA 56 B	3GVA 050 122-••A	2730/1370	53.0/44.0	0.75/0.58	0.4/0.4	3.4/2.6	0.38/0.48	2.5/2.7	2.6/2.8	0.00018	3.5
0.2/0.15	M3VA 63 A	3GVA 060 121-••A	2800/1400	63.0/54.0	0.70/0.63	0.65/0.65	3.6/2.8	0.68/1.02	2.0/1/2	2.2/2.1	0.00019	4
0.3/0.2	M3VA 63 B	3GVA 060 122-••A	2740/1370	59.0/55.0	0.78/0.63	0.95/0.85	2.8/2.8	1.05/1.4	1.7/2.1	1.8/2.2	0.00026	4.5
0.37/0.25	M3VA 71 A	3GVA 070 121-••C	2700/1390	64.0/60.0	0.89/0.79	0.95/0.7	3.3/3.1	1.3/1.72	1.9/1.5	2.0/1.6	0.00066	5.5
0.48/0.31	M3VA 71 B	3GVA 070 122-••C	2780/1400	68.0/68.0	0.91/0.76	1.2/0.9	3.6/4.0	1.66/2.15	1.4/2.0	1.5/2.1	0.00089	6.5
0.55/0.37	M3VA 71 C	3GVA 070 123-••C	2800/1400	66.0/64.0	0.80/0.65	1.5/1.2	4.7/4.3	1.87/2.52	1.8/1.9	1.9/2.0	0.0011	7
0.63/0.5	M3VA 80 A	3GVA 080 121-••B	2690/1400	66.0/67.0	0.87/0.79	1.6/1.35	3.6/4.2	2.25/3.42	1.8/1.9	1.9/2.1	0.0013	9
0.85/0.65	M3VA 80 B	3GVA 080 122-••B	2725/1405	70.0/70.0	0.88/0.80	2/1.7	4.0/4.4	2.99/4.43	1.9/2.0	1.9/2.2	0.0016	10
1.1/0.8	M3VA 80 C	3GVA 080 123-••B	2730/1410	72.0/71.0	0.88/0.79	2.55/2.05	4.2/4.7	3.8/5.38	2.0/2.0	2.1/2.4	0.002	11
1.3/1	M3AA 90 S	3GAA 098 110-••E	2730/1400	71.0/71.0	0.88/0.80	3.1/2.6	3.9/3.8	4.5/6.8	2.0/1.5	2.2/2.0	0.0032	13
1.9/1.5	M3AA 90 L	3GAA 098 111-••E	2820/1420	74.0/75.0	0.82/0.76	4.4/3.9	5.1/4.4	6.4/10	2.8/2.0	3.0/2.5	0.0043	16
2.5/2.1	M3AA 100 LA	3GAA 108 109-••E	2800/1430	68.0/76.0	0.88/0.81	6/5	4.8/4.4	8.5/14	2.2/1.6	2.5/2.2	0.0069	20
3.4/2.7	M3AA 100 LB	3GAA 108 110-••E	2810/1430	78.0/80.0	0.88/0.85	7.2/5.9	5.3/5.4	11.5/18	2.2/1.9	2.5/2.5	0.0082	23
4/2.6	M3AA 112 M	3GAA 118 101-••C	2865/1430	82.0/77.0	0.94/0.76	7.6/6.5	6.3/6.2	13.3/17.4	1.8/2.3	2.1/2.6	0.012	32
4.7/3.1	M3AA 132 SB	3GAA 138 101-••C	2820/1420	79.0/77.0	0.93/0.76	9.2/7.7	5.5/5.7	15.9/20.8	1.8/2.2	2.1/2.4	0.016	42
7.2/4.8	M3AA 132 M	3GAA 138 102-••C	2870/1435	84.0/81.0	0.93/0.76	13.3/11.5	7.1/6.2	24/31.9	2.4/2.5	2.6/2.7	0.022	56
9/6.5	M3AA 160 MA	3GAA 168 306-••C	2885/1440	83.0/82.0	0.92/0.74	17.1/15.6	4.6/4.3	40/43	1.3/1.7	1.9/1.9	0.039	73
12.5/9	M3AA 160 M	3GAA 168 307-••C	2890/1440	85.5/85.5	0.93/0.80	22.5/19	5.2/4.6	41/60	1.4/1.8	1.9/1.9	0.054	92
15/10.5	M3AA 160 L	3GAA 168 308-••C	2900/1445	87.0/86.0	0.93/0.77	27/23	5.8/4.9	49/69	1.6/2.1	2.1/2.1	0.057	99
18/12	M3AA 180 M	3GAA 188 301-••C	2940/1455	89.0/89.0	0.88/0.79	33/25	6.8/5.3	59/79	2.1/2.4	2.6/2.2	0.094	132
24/17	M3AA 180 L	3GAA 188 302-••C	2945/1455	90.0/90.0	0.89/0.80	43/34	7.4/5.2	78/111	2.4/2.4	2.8/2.1	0.108	152
32/24	M3AA 200 MLA	3GAA 208 101-••C	2940/1470	89.0/90.5	0.89/0.86	58/45	6.8/5.9	104/156	1.8/2.1	2.4/2.1	0.28	180
39/29	M3AA 200 MLB	3GAA 208 102-••C	2950/1470	90.5/91.0	0.84/0.86	75/53	6.8/7.0	126/188	1.7/2.2	2.6/2.4	0.34	205
42/32	M3AA 225 SMB	3GAA 228 101-••C	2955/1475	92.5/93.0	0.92/0.88	71/57	7.1/6.5	136/207	1.5/1.9	2.5/2.3	0.49	230
50/40	M3AA 225 SMC	3GAA 228 102-••C	2965/1480	92.5/93.0	0.84/0.87	87/72	7.4/7.1	161/259	2.4/2.8	3.3/3.0	0.49	265
68/50	M3AA 250 SMB	3GAA 258 101-••C	2940/1475	93.0/93.5	0.93/0.88	113/87	6.6/6.9	220/324	1.5/2.1	2.4/2.5	0.89	335

General purpose aluminum motors

Technical data for totally enclosed squirrel cage three phase motors, two-speed

IP 55 – IC 411 – Insulation class F, temperature rise class F

Output kW	Motor type	Product code	Speed r/min	Efficiency %	Power factor cos φ	Current		Torque			Moment of inertia J=1/4 GD ² kgm ²	Weight kg
						I _N A	I _s / I _N	T _N Nm	T _s / T _N	T _{max} / T _N		
3000/750 r/min = 2/8 poles			400 V 50 Hz			Constant torque, two separate windings						
0.25/0.06	M3VA 71 A	3GVA 079 141-••C	2760/660	52.0/36.0	0.94/0.70	0.75/0.35	2.9/1.9	0.86/0.86	1.0/1.3	1.1/1.4	0.00066	5.5
0.37/0.09	M3VA 71 B	3GVA 079 142-••C	2800/660	68.0/41.0	0.87/0.65	0.9/0.5	2.8/2.0	1.26/1.3	1.0/1.6	1.1/1.7	0.00089	6.5
0.5/0.12	M3VA 80 A	3GVA 089 141-••B	2730/700	60.0/38.0	0.87/0.58	1.4/0.8	3.2/2.3	1.78/1.64	1.3/2.0	1.6/2.0	0.0013	9
0.66/0.15	M3VA 80 B	3GVA 089 142-••B	2780/700	65.0/40.0	0.87/0.58	1.65/0.95	3.8/2.5	2.55/2.45	1.4/2.2	1.8/2.2	0.0016	10
0.78/0.18	M3VA 80 C	3GVA 089 143-••B	2800/700	68.0/43.0	0.87/0.57	1.9/1.15	4.0/2.6	2.67/2.46	1.5/2.4	2.2/2.4	0.002	11
0.75/0.18	M3AA 90 LA	3GAA 098 700-••E	2875/720	71.2/46.3	0.80/0.51	0.8/0.51	1.9/1.1	5.7/2.4	2.5/2.4	2.3/1.3	0.0043	16
1.3/0.33	M3AA 90 LB	3GAA 098 701-••E	2780/690	71.0/52.0	0.92/0.62	2.9/1.5	4.5/2.3	4.4/4.5	1.8/1.2	2.0/1.7	0.0043	16
1.8/0.5	M3AA 100 LB	3GAA 108 700-••E	2860/705	80.0/54.0	0.93/0.64	3.5/2.1	5.3/2.6	6/6,7	1.7/1.3	2.2/1.9	0.0082	24
1500/1000 r/min = 4/6 poles			400 V 50 Hz			Constant torque, two separate windings						
0.11/0.08	M3VA 63 B	3GVA 069 232-••A	1390/860	40.0/25.0	0.70/0.72	0.55/0.62	2.5/1.8	0.75/0.88	1.4/1.8	1.9/1.9	0.00026	4.5
0.3/0.2	M3VA 71 A	3GVA 079 231-••C	1390/900	51.0/40.0	0.82/0.72	0.7/0.5	2.8/2.0	1.37/0.79	1.1/1.1	1.1/1.1	0.00066	5.5
0.37/0.22	M3VA 71 B	3GVA 079 232-••C	1380/900	58.0/40.0	0.83/0.80	0.9/0.8	2.7/1.9	2.07/1.91	1.0/1.1	1.1/1.1	0.00089	6.5
0.43/0.28	M3VA 80 A	3GVA 089 231-••B	1380/910	60.0/54.0	0.85/0.81	1.4/1.2	3.1/2.9	2.54/3.02	1.5/1.4	1.5/1.4	0.0019	9
0.58/0.37	M3VA 80 B	3GVA 089 232-••B	1390/920	63.0/58.0	0.85/0.80	1.6/1.15	3.3/3.2	4/3.85	1.5/1.5	1.6/1.6	0.0022	10
0.7/0.45	M3VA 80 C	3GVA 089 233-••B	1390/925	65.0/60.0	0.85/0.78	1.85/1.4	3.4/3.4	4.82/4.66	1.6/1.7	1.7/1.8	0.0025	10
0.8/0.5	M3AA 90 S	3GAA 098 216-••E	1430/940	68.0/57.0	0.80/0.66	2.2/2	3.9/2.8	5.3/5	1.5/1.4	2.1/2.1	0.0032	13
1.2/0.75	M3AA 90 L	3GAA 098 217-••E	1430/940	73.0/63.0	0.81/0.67	3.0/2.6	4.4/3.1	8/7.6	1.7/1.5	2.3/2.1	0.0043	16
1.5/0.9	M3AA 100 LA	3GAA 108 214-••E	1440/960	75.0/69.0	0.84/0.65	3.5/3	4.7/3.8	9.9/8.9	1.5/1.5	2.2/2.4	0.0069	20
1.8/1.1	M3AA 100 LB	3GAA 108 215-••E	1460/960	77.0/70.0	0.78/0.64	4.4/3.6	5.8/3.9	11/11	2.1/1.6	3.0/2.5	0.0082	23
2.6/1.7	M3AA 112 M	3GAA 118 202-••C	1445/960	80.0/73.0	0.86/0.76	5.5/4.4	5.9/5.2	17.2/16.9	1.5/1.5	2.2/2.4	0.018	33
3.3/2.2	M3AA 132 S	3GAA 138 223-••C	1470/980	82.0/76.0	0.82/0.65	7.1/6.4	6.8/4.6	21.4/21.4	1.4/1.2	2.5/2.4	0.038	48
4.5/3	M3AA 132 M	3GAA 138 224-••C	1470/980	82.0/77.0	0.85/0.70	9.3/8	7.2/5.6	29.2/29.2	1.4/1.5	2.3/2.6	0.048	59
7.5/5.5	M3AA 160 M	3GAA 168 361-••C	1465/965	85.5/80.5	0.83/0.77	15.5/13	7.1/4.7	49/54	2.1/1.8	2.7/1.9	0.089	93
11.5/8.5	M3AA 160 L	3GAA 168 362-••C	1465/965	86.5/82.5	0.84/0.76	23/19.5	7.0/4.9	75/84	2.1/1.8	2.8/2.0	0.119	117
13/8	M3AA 180 M	3GAA 188 353-••C	1475/975	88.0/82.5	0.82/0.75	26/19	6.5/4.3	84/78	1.9/1.4	2.6/1.8	0.176	131
15/10	M3AA 180 L	3GAA 188 354-••C	1475/975	88.5/84.0	0.83/0.74	30/23	7.1/4.4	97/98	2.3/1.5	2.7/1.9	0.224	159
18/12	M3AA 200 MLA	3GAA 208 204-••C	1475/985	88.5/86.0	0.91/0.86	33/24	7.6/7.8	117/116	2.1/2.6	2.5/2.6	0.42	185
22/14.7	M3AA 200 MLB	3GAA 208 205-••C	1480/985	89.5/86.5	0.89/0.87	40/29	8.2/7.6	142/143	2.4/2.6	2.8/2.5	0.48	200
25/16.7	M3AA 200 MLC	3GAA 208 206-••C	1475/980	89.0/85.5	0.87/0.88	47/32	7.7/6.7	162/162	2.3/2.3	2.6/2.2	0.48	200
32/21	M3AA 225 SMB	3GAA 228 203-••C	1480/985	90.0/89.5	0.88/0.86	58/40	8.6/8.0	206/204	2.3/2.4	2.8/2.7	0.63	225
36/24	M3AA 225 SMC	3GAA 228 204-••C	1480/985	90.5/90.0	0.88/0.87	66/45	8.4/7.4	232/233	2.2/2.2	2.8/2.5	0.74	250
50/32	M3AA 250 SMB	3GAA 258 202-••C	1475/985	92.5/90.5	0.89/0.80	89/65	7.5/7.1	324/310	2.3/3.1	2.6/2.6	0.89	335

Data for other sizes on request.

The bullets in the product code indicate choice of mounting arrangement, voltage and frequency, generation code (see ordering information page).

General purpose aluminum motors

Technical data for totally enclosed squirrel cage three phase motors, two-speed

IP 55 – IC 411 – Insulation class F, temperature rise class F

Output kW	Motor type	Product code	Speed r/min	Efficiency %	Power factor cos φ	Current		Torque			Moment of inertia J=1/4 GD ² kgm ²	Weight kg
						I _N A	I _s I _N	T _N Nm	T _s T _N	T _{max} T _N		
1500/750 r/min = 4/8 poles 400 V 50 Hz Constant torque, two separate windings												
0.28/0.14	M3VA 80 A	3GVA 089 241-••B	1425/700	60.0/50.0	0.77/0.68	0.9/0.6	4.0/3.0	1.88/1.92	1.9/1.9	2.2/2.0	0.0019	9
0.38/0.19	M3VA 80 B	3GVA 089 242-••B	1430/705	64.0/52.0	0.77/0.68	1.1/0.8	4.2/3.1	2.55/2.58	2.0/2.0	2.4/2.0	0.0022	10
0.46/0.23	M3VA 80 C	3GVA 089 243-••B	1430/710	66.0/55.0	0.78/0.65	1.3/0.95	4.3/3.3	3.1/3.1	2.0/2.1	2.4/2.2	0.0025	11
0.55/0.25	M3AA 90 S	3GAA 098 219-••E	1450/700	62.0/51.0	0.78/0.59	1.9/1.2	4.2/2.3	3.6/3.4	1.3/1.4	2.2/2.1	0.0032	13
0.75/0.37	M3AA 90 L	3GAA 098 220-••E	1450/700	66.0/57.0	0.75/0.57	2.2/1.7	4.1/2.5	4.9/5	1.4/1.5	2.4/2.2	0.0043	16
1.1/0.55	M3AA 100 LA	3GAA 108 217-••E	1460/710	68.0/62.0	0.77/0.61	3.1/2.2	4.2/2.6	7.2/7.4	1.2/1.2	2.3/1.9	0.0069	20
1.5/0.75	M3AA 100 LB	3GAA 108 218-••E	1440/700	72.0/60.0	0.82/0.60	3.7/2.9	4.6/2.7	9.8/10	1.3/1.2	2.2/1.9	0.0082	23
1.8/0.9	M3AA 112 M	3GAA 118 203-••C	1470/715	77.0/65.0	0.76/0.66	4.4/3	6.5/4.0	11.7/12	1.2/1.6	2.2/2.4	0.018	32
2.5/1.3	M3AA 132 S	3GAA 138 225-••C	1470/730	80.0/69.0	0.79/0.58	5.7/4.7	6.7/4.4	16.2/17	1.6/1.4	2.6/2.7	0.038	48
3.3/1.7	M3AA 132 M	3GAA 138 226-••C	1470/725	81.0/71.0	0.83/0.67	7.1/5.2	8.0/4.8	21.4/22.4	1.8/1.8	2.7/2.2	0.048	59
5.5/2.7	M3AA 160 M	3GAA 168 363-••C	1465/730	85.0/71.0	0.83/0.57	11.5/9.6	5.6/4.0	36/35	1.7/2.0	2.2/2.3	0.089	92
9/4.5	M3AA 160 L	3GAA 168 364-••C	1465/730	86.5/73.5	0.83/0.56	18/16	7.0/4.1	59/59	2.1/2.1	2.7/2.5	0.119	117
14/7	M3AA 180 L	3GAA 188 356-••C	1475/735	88.0/76.0	0.83/0.56	28/24	7.7/4.2	91/91	2.6/2.3	2.9/2.3	0.225	159
18.5/9.4	M3AA 200 MLA	3GAA 208 207-••C	1475/730	89.5/82.5	0.85/0.65	35/26	7.3/4.3	120/123	2.2/1.9	2.5/1.8	0.28	180
22/11	M3AA 200 MLB	3GAA 208 208-••C	1480/735	90.5/83.0	0.84/0.60	42/32	8.4/4.7	142/143	2.6/2.4	2.9/2.2	0.34	205
28/14	M3AA 225 SMB	3GAA 228 205-••C	1480/735	90.0/85.5	0.85/0.61	53/39	7.7/4.9	181/182	2.1/2.4	2.7/2.2	0.41	230
34/17	M3AA 225 SMC	3GAA 228 206-••C	1480/735	92.0/87.0	0.86/0.66	63/43	7.9/4.8	219/221	2.2/2.2	2.7/2.0	0.49	265
50/25	M3AA 250 SMB	3GAA 258 203-••C	1480/740	92.5/88.0	0.87/0.60	90/68	8.6/6.0	323/323	2.6/3.5	3.0/2.9	0.89	335
1500/750 r/min = 4-8 poles 400 V 50 Hz Constant torque, Dahlander-connection												
0.11/0.06	M3VA 63 B	3GVA 060 242-••A	1390/660	54.0/33.0	0.60/0.49	0.5/0.55	3.0/1.7	0.75/0.87	1.6/2.5	1.7/2.6	0.00026	4.5
0.18/0.11	M3VA 71 A	3GVA 070 241-••C	1380/680	54.0/37.0	0.70/0.53	0.7/0.8	3.2/2.5	1.24/1.54	1.9/2.2	2.0/2.3	0.00066	5.5
0.3/0.15	M3VA 71 B	3GVA 070 242-••C	1400/700	60.0/47.0	0.74/0.51	0.9/0.9	3.2/2.6	2.05/2.05	2.0/2.5	2.1/2.6	0.00089	6.5
0.45/0.25	M3VA 80 A	3GVA 080 241-••B	1380/700	65.0/48.0	0.87/0.58	1.15/1.3	3.5/2.7	3.12/3.42	1.7/2.1	1.7/2.1	0.0019	9
0.63/0.33	M3VA 80 B	3GVA 080 242-••B	1380/705	67.0/50.0	0.88/0.56	1.55/1.7	3.5/2.8	4.37/4.48	1.7/2.2	1.7/2.2	0.0022	10
0.7/0.37	M3AA 90 S	3GAA 098 113-••E	1420/700	72.0/50.0	0.80/0.57	1.8/1.9	4.4/2.3	4.7/5.1	1.6/1.6	2.3/2.2	0.0032	13
0.75/0.37	M3VA 80 C	3GVA 080 243-••B	1390/710	70.0/52.0	0.86/0.51	1.8/2	3.9/2.9	5.16/4.98	1.9/2.5	1.9/2.5	0.0025	10
1.1/0.55	M3AA 90 L	3GAA 098 114-••E	1390/685	70.0/55.0	0.84/0.58	2.6/2.6	4.1/2.3	7.4/7.5	1.4/1.5	2.0/2.1	0.0043	16
1.5/0.75	M3AA 100 LA	3GAA 108 112-••E	1440/710	76.0/62.0	0.85/0.57	3.4/3.2	4.6/2.8	10/10	1.4/1.5	2.2/2.2	0.0069	20
2/0.95	M3AA 100 LB	3GAA 108 113-••E	1440/710	78.0/64.0	0.86/0.55	4.4/4	4.8/2.9	13/12	1.4/1.6	2.2/2.3	0.0082	23
2.5/1.5	M3AA 112 M	3GAA 118 103-••C	1410/705	82.0/67.0	0.90/0.66	5.1/4.9	5.5/4.1	16.9/20.3	1.4/1.5	2.1/2.4	0.018	32
3.8/1.9	M3AA 132 S	3GAA 138 125-••C	1450/730	82.0/70.0	0.86/0.52	7.7/7.6	5.6/3.7	25/24.9	1.4/1.3	2.1/2.7	0.038	48
5/2.5	M3AA 132 M	3GAA 138 126-••C	1455/730	85.0/73.0	0.88/0.52	9.6/9.6	6.9/4.8	32.8/32.7	1.7/2.0	2.4/2.8	0.048	59
8/4.5	M3AA 160 M	3GAA 168 309-••C	1440/730	84.5/79.5	0.86/0.60	16/13.5	4.5/3.4	53/59	1.3/1.4	1.8/1.9	0.089	92
12/7	M3AA 160 L	3GAA 168 310-••C	1445/730	86.5/81.0	0.87/0.59	23/21	5.0/3.5	79/92	1.5/1.4	1.9/1.9	0.119	117
16/8	M3AA 180 L	3GAA 188 304-••C	1460/730	88.0/78.5	0.86/0.53	31/28	1.9/3.4	105/104	1.4/1.6	1.9/2.1	0.224	159
22/13	M3AA 200 MLA	3GAA 208 107-••C	1475/735	87.5/86.0	0.81/0.69	45/32	6.5/5.9	142/169	2.0/2.5	2.6/2.7	0.36	165
25/15	M3AA 200 MLB	3GAA 208 108-••C	1475/735	89.0/86.0	0.86/0.67	47/38	7.6/6.0	162/195	2.2/2.6	2.7/2.7	0.42	185
29/17	M3AA 200 MLC	3GAA 208 109-••C	1475/735	90.0/88.0	0.91/0.75	52/38	7.2/6.1	188/221	2.2/2.6	2.4/2.4	0.48	200
35/21	M3AA 225 SMB	3GAA 228 105-••C	1475/735	90.0/89.0	0.90/0.74	63/47	6.7/5.8	227/273	1.7/2.1	2.2/2.3	0.63	225
42/25	M3AA 225 SMC	3GAA 228 106-••C	1475/735	91.0/89.5	0.91/0.75	74/54	6.8/5.9	272/325	1.8/2.1	2.2/2.2	0.74	250
55/33	M3AA 250 SMB	3GAA 258 103-••C	1480/740	92.0/90.5	0.90/0.75	97/71	7.3/6.4	355/426	2.1/2.5	2.5/2.5	1.5	320
1000/750 r/min = 6/8 poles 400 V 50 Hz Constant torque, two separate windings												
1.6/0.8	M3AA 112 M	3GAA 118 207-••C	965/725	72.9/60.0	0.70/0.64	0.70/0.64	4.5/3.0	5.6/4.4	15.8/10.6	2.3/2.3	0.015	35
2.3/1.3	M3AA 132 S	3GAA 138 213-••C	975/730	77.2/63.5	0.72/0.64	0.72/0.64	6.8/4.6	6.4/4.2	25.4/17.0	1.6/1.5	0.04	48
3.5/1.6	M3AA 132 M	3GAA 138 214-••C	975/730	78.8/65.8	0.72/0.66	0.72/0.66	9.0/5.2	7.1/5.1	34.2/20.9	2.0/1.9	0.041	48
16/12	M3AA 200 MLB	3GAA 208 219-••C	985/740	86.5/82.5	0.85/0.73	0.85/0.73	31.0/29.0	7/6.3	155/155	2.1/2.4	0.42	185
18/13.5	M3AA 200 MLC	3GAA 208 220-••C	985/740	87.5/83.5	0.83/0.72	0.83/0.72	36.0/32.0	7.9/6.6	174/174	2.5/2.6	0.48	200
23/17	M3AA 225 SMB	3GAA 228 213-••C	985/740	89.0/85.5	0.84/0.78	0.84/0.78	46.0/37.0	7.9/6.3	222/220	2.3/2.2	0.63	225
28/20	M3AA 225 SMC	3GAA 228 214-••C	985/740	89.0/86.5	0.86/0.77	0.86/0.77	57.0/43.0	7.1/6.5	272/259	2.0/2.3	0.74	250
37/27	M3AA 250 SMB	3GAA 258 207-••C	990/740	90.0/87.5	0.83/0.75	0.83/0.75	71/59	7.8/6.7	357/348	2.3/2.5	1.41	320

General purpose aluminum motors - Variant codes

Code	Variant	Motor size			M2AA	M2AA	M2AA	M3AA	M3AA	M3AA	M3AA
		56-63	71-80	90-100	112-132	160-200	225-250	112-132	160-180	200-250	280
Balancing											
052	Vibration acc. to grade A (IEC 60034-14).	P	P	P	S	S	S	S	S	S	S
417	Vibration acc. to grade B (IEC 60034-14).	NA	NA	NA	R	R	R	R	R	R	R
423	Balanced without key.	P	P	P	R	R	R	R	R	R	R
424	Full key balancing.	P	P	P	P	P	P	P	P	P	P
Bearings and lubrication											
036	Transport lock for bearings.	NA	NA	M	M	M	M	M	M	M	M
037	Roller bearing at D-end.	NA	NA	M	NA	M	M	NA	M	M	M
039	Cold resistant grease (-55... +100° C).	M	M	M	M	M	M	M	M	M	M
040	Heat resistant grease (-25... +150° C).	M	M	M	S	S	S	S	S	S	S
041	Bearings regreasable via grease nipples.	NA	NA	M	M	M	S	M	M	S	S
042	Locked drive-end. Standard for sizes 112-132, flanged versions.	NA	M	S	M	S	S	M	S	S	S
043	SPM nipples.	NA	NA	R	M	M	M	M	M	M	M
057	2RS bearings at both ends. Grease for bearing temperatures -20 - +110° C.	M	M	M	M	R	R	M	M	M	M
058	Angular contact ball bearing at D-end, shaft force away from bearing. Transport lock included.	NA	NA	M	M	R	R	M	M	M	M
059	Angular contact ball bearing at N-end, shaft force towards bearing. Transport lock included.	NA	NA	M	M	R	R	M	M	M	M
107	Pt100 2-wire in bearings.	NA	NA	NA	NA	NA	NA	NA	R	R	R
188	63-series bearings.	NA	NA	M	M	S	S	M	S	S	S
796	Grease nipples JIS B 1575 PT 1/8 Type A. Stainless steel. Head type to be defined when ordering.	NA	NA	NA	M	M	M	M	M	M	M
797	Stainless steel SMP nipples.	NA	NA	NA	M	M	M	M	M	M	M
798	Stainless steel grease nipples.	NA	NA	NA	M	M	M	M	M	M	M
Branch standard design											
071	Cooling tower duty.	NA	NA	NA	P	P	P	P	P	P	P
079	Silumin-alloy rotor cage.	NA	R	P	R	R	R	R	R	R	R
142	"Manilla connection".	NA	NA	P	P	P	P	P	P	P	P
178	Stainless steel/acid proof bolts.	M	M	M	M	M	M	M	M	M	M
199	Extreme heavy duty design. Type designation M3AP.	NA	NA	NA	M	NA	NA	M	M	M	M
209	Non-standard voltage or frequency (special winding).	P	P	P	P	P	P	P	P	P	P
425	Corrosion protected stator and rotor core.	P	P	P	P	R	R	P	P	P	P
785	Reinforced tropicalisation.	NA	NA	NA	R	R	R	R	R	R	R
Cooling system											
053	Metal fan cover.	S	S	S	M	S	S	M	S	S	S
068	Metal fan.	NA	M	M	M	M	M	M	M	M	M
075	Cooling method IC418 (without fan).	P	P	P	R	R	R	R	R	R	R
183	Separate motor cooling (fan axial, N-end).	NA	M	M	NA	R	R	NA	M	M	M
189	Separate motor cooling, IP44, 400V 50Hz (fan axial, N-end)	NA	NA	NA	M	M	M	M	M	M	M
793	Fan for reduced noise level (2-p fan).	NA	NA	NA	R	R	R	R	R	R	R
794	Fan for reduced noise level (4-p fan).	NA	NA	NA	R	R	R	R	R	R	R

¹⁾ Certain variant codes cannot be used simultaneously.

S = Included as standard.
M = On modification of a stocked motor, or on new manufacture, the number per order may be limited.

P = New manufacture only.
R = On request.

Code	Variant	Motor size			M2AA	M2AA	M2AA	M3AA	M3AA	M3AA	M3AA
		56-63	71-80	90-100	112-132	160-200	225-250	112-132	160-180	200-250	280
Coupling											
035	Assembly of customer supplied coupling-half.	NA	NA	NA	R	R	R	R	R	R	R
Dimension drawing											
141	Binding dimension drawing	M	M	M	M	M	M	M	M	M	M
Drain holes											
065	Plugged existing drain holes.	M	M	M	M	M	M	M	M	M	M
076	Drain holes with plugs.	S	S	NA	NA	NA	NA	NA	NA	NA	NA
Earthing bolt											
067	External earthing bolt.	M	M	M	M	M	M	M	M	M	M
Hazardous environments											
See catalogue 'Motors for Hazardous Environments' for details.											
Heating elements											
	Motor size	Element capacity									
	56-71	8 W									
	80-160	25 W									
	180-280	50 W									
450	Heating element, 100-120 V.	M	M	M	M	M	M	M	M	M	M
451	Heating element, 200-240 V.	M	M	M	M	M	M	M	M	M	M
Insulation system											
014	Winding insulation class H.	P	P	P	P	R	R	P	P	P	P
405	Special winding insulation for frequency converter supply.	NA	NA	R	P	R	R	P	P	P	P
406	Winding for supply > 690 <= 1000 V.	NA	NA	NA	R	R	R	R	R	P	P
Marine Motors											
See catalogue "Marine Motors" for details.											
Mounting arrangements											
NOTE: Multiple flange sizes available using two-piece flange system, see page 48.											
007	IM 3001 flange mounted, IEC flange, from IM 1001 (B5 from B3).	NA	M	M	NA	NA	M	NA	NA	M	M
008	IM 2101 foot/flange mounted, from IM 1001 (B34 from B3).	NA	M	M	M	M	NA	M	M	NA	NA
009	IM 2001 foot/flange mounted, from IM 1001 (B35 from B3).	M	M	M	M	M	M	M	M	M	M
047	IM 3601 flange mounted, IEC flange, from IM 3001 (B14 from B5).	M	M	M	M	M	NA	M	M	NA	NA
048	IM 3001 flange mounted, IEC flange, from IM 3601 (B5 from B14).	M	M	M	M	NA	NA	M	NA	NA	NA
066	Modified for non-standard mounting position. (please specify IM xxxx). (must be ordered for all mounting arrangements excluding IM B3 (1001) and B5 (3001)).	M	M	M	M	M	M	M	M	M	M
078	IM 3601 flange mounted, DIN C-flange. Small flange with clearance holes. Larger flange than standard version.	NA	NA	R	NA	NA	NA	NA	NA	NA	NA
080	IM 3001 flange mounted, DIN A-flange. Large flange with clearance holes. Larger flange than standard version.	NA	NA	R	NA	NA	NA	NA	NA	NA	NA
090	IM 2101 foot/flange mounted, DIN C-flange, from IM 1001 (B34 from B3).	NA	NA	R	NA	NA	NA	NA	NA	NA	NA
091	IM 2001 foot/flange mounted, DIN A-flange, from IM 1001 (B35 from B3).	NA	NA	R	NA	NA	NA	NA	NA	NA	NA
200	Flange ring holder.	NA	M	M	R	NA	NA	R	R	R	R
217	Cast iron D-end shield (on foot-mounted aluminum motor).	NA	NA	M	R	R	R	R	M	M	M

¹⁾ Certain variant codes cannot be used simultaneously.

S = Included as standard.

M = On modification of a stocked motor, or on new manufacture, the number per order may be limited.

P = New manufacture only.

R = On request.
NA = Not applicable.

Code	Variant	Motor size			M2AA	M2AA	M2AA	M3AA	M3AA	M3AA	M3AA
		56-63	71-80	90-100	112-132	160-200	225-250	112-132	160-180	200-250	280
1)											
218	Flange ring FT 85.	NA	M	M	NA	NA	NA	NA	NA	NA	NA
219	Flange ring FT 100.	NA	M	M	NA	NA	NA	NA	NA	NA	NA
220	Flange ring FF 100.	NA	M	M	NA	NA	NA	NA	NA	NA	NA
223	Flange ring FF 115.	NA	M	M	NA	NA	NA	NA	NA	NA	NA
224	Flange ring FT 115.	NA	M	M	NA	NA	NA	NA	NA	NA	NA
226	Flange ring FF 130.	NA	M	M	NA	NA	NA	NA	NA	NA	NA
227	Flange ring FT 130.	NA	M	M	NA	NA	NA	NA	NA	NA	NA
233	Flange ring FF 165.	NA	M	M	NA	NA	NA	NA	NA	NA	NA
234	Flange ring FT 165.	NA	M	M	NA	NA	NA	NA	NA	NA	NA
243	Flange ring FF 215.	NA	NA	M	NA	NA	NA	NA	NA	NA	NA
244	Flange ring FT 215.	NA	NA	M	NA	NA	NA	NA	NA	NA	NA
304	PAD mounted according to BS 4999-141.	NA	NA	NA	NA	NA	NA	R	NA	R	R
Painting											
114	Special paint colour, standard grade. RAL-colour no. must be specified.	M	M	M	M	M	M	M	M	M	M
179	Special paint specification.	R	R	R	R	R	R	R	R	R	R
Protection											
005	Metal protective roof, vertical motor, shaft down.	M	M	M	M	M	M	M	M	M	M
072	Radial seal at D-end.	M	M	M	M	R	R	M	M	M	M
073	Sealed against oil at D-end.	M	M	NA	NA	NA	NA	NA	NA	NA	NA
158	Degree of protection IP65. Dust proof version.	M	M	P	M	M	M	M	M	M	M
211	Weather protected, IP xx W.	NA	NA	P	P	P	P	P	P	P	P
403	Degree of protection IP 56.	M	M	P	M	M	M	M	M	M	M
784	Gamma-seal at D-end.	NA	NA	M	R	R	R	M	M	M	M
Rating and instruction plates											
002	Restamping voltage, frequency, and output, continuous duty.	M	M	M	M	M	M	M	M	M	M
003	Individual serial number.	P	P	M	M	M	M	M	M	M	M
004	Additional text on std rating plate.	NA	NA	NA	M	M	M	M	M	M	M
095	Restamping of output (maintained voltage and frequency), intermittent duty.	M	M	M	M	M	M	M	M	M	M
098	Stainless rating plate.	M	M	M	M	R	R	M	M	M	M
135	Mounting of additional identification plate, stainless.				R	NA	NA	R	R	R	R
138	Mounting of additional identification plate, aluminum.	M	M	M	M	M	M	M	M	M	M
139	Additional identification plate delivered loose.	M	M	M	M	M	M	M	M	M	M
160	Additional rating plate affixed.	R	R	M	M	M	M	M	M	M	M
161	Additional rating plate delivered loose.	M	M	M	M	M	M	M	M	M	M
162	Rating plate fixed to stator.	NA	NA	S	M	S	S	M	S	S	S
163	Frequency converter rating plate. Rating data according to quotation.	NA	NA	NA	M	M	M	M	M	M	M
198	Aluminum rating plate.	S	S	S	M	S	S	M	S	S	S

1) Certain variant codes cannot be used simultaneously.

S = Included as standard.
M = On modification of a stocked motor, or on new manufacture, the number per order may be limited.

P = New manufacture only.
R = On request.
NA = Not applicable

Code	Variant	Motor size			M2AA	M2AA	M2AA	M3AA	M3AA	M3AA	M3AA
		56-63	71-80	90-100	112-132	160-200	225-250	112-132	160-180	200-250	280
Shaft and rotor											
069	Two shaft extensions as per basic catalogue.	P	P	P	P	R	R	P	P	P	P
070	One or two special shaft extensions, std shaft material.	R	R	R	R	R	R	R	R	R	R
131	Motor delivered with half-key (key not exceeding shaft material).				M	M	M	M	M	M	M
165	Shaft extension with open keyway.	P	P	P	P	NA	NA	P	P	P	P
410	Stainless steel shaft (standard or non-std design).	P	P	R	R	R	R	R	R	R	R
Standards and regulations											
010	Fulfilling CSA Safety Certificate.	P	P	P	M	R	R	M	M	M	M
011	Fulfilling CSA Energy Efficiency Verification (code 010 included).	NA	NA	R	NA	NA	NA	M	M	M	M
029	Fulfilling Underwriters Laboratory (UL) requirements.	P	P	P	NA	NA	NA	NA	NA	NA	NA
408	Fulfilling EPA certification requirements, CC031A.	NA	P	NA	NA	NA	NA	R	R	R	R
778	GOST R Export/Import Certificate (Russia)	NA	NA	NA	M	M	M	M	M	M	M
779	SASO Export/Import Certificate (Saudi Arabia)	NA	NA	NA	M	M	M	M	M	M	M
Stator winding temperature sensors											
121	Bimetal detectors, break type (NCC), (3 in series), 130°C, in stator winding.	M	M	M	M	M	M	M	M	M	M
122	Bimetal detectors, break type (NCC), (3 in series), 150°C, in stator winding.	M	M	M	M	M	M	M	M	M	M
123	Bimetal detectors, break type (NCC), (3 in series), 170°C, in stator winding.	M	M	M	M	M	M	M	M	M	M
124	Bimetal detectors, break type (NCC), (2x3 in series), 140°C, in stator winding.	NA	NA	NA	M	M	M	M	M	M	M
125	Bimetal detectors, break type (NCC), (2x3 in series), 150°C, in stator winding.	M	M	M	M	M	M	M	M	M	M
127	Bimetal detectors, break type (NCC), (3 in series, 130°C & 3 in series, 150°C), in stator winding.	M	M	M	M	M	M	M	M	M	M
321	Bimetal detectors, closing type (NO), (3 in parallel), 130°C, in stator winding.	NA	NA	P	R	NA	NA	R	R	R	R
322	Bimetal detectors, closing type (NO), (3 in parallel), 150°C, in stator winding.	NA	NA	P	R	R	R	R	R	R	R
323	Bimetal detectors, closing type (NO), (3 in parallel), 170°C, in stator winding.	NA	NA	P	R	R	R	R	R	R	R
325	Bimetal detectors, closing type (NO), (2x3 in parallel), 150°C, in stator winding.	NA	NA	P	R	R	R	R	R	R	R
435	PTC-thermistors (3 in series), 130°C, in stator winding.	M	M	M	M	M	M	M	M	M	M
436	PTC-thermistors (3 in series), 150°C, in stator winding.	M	M	M	M	M	S	M	M	S	S
437	PTC-thermistors (3 in series), 170°C, in stator winding.	M	M	M	M	M	M	M	M	M	M
439	PTC-thermistors (2x3 in series), 150°C, in stator winding.	M	M	M	M	M	M	M	M	M	M
440	PTC-thermistors (3 in series, 110°C & 3 in series, 130°C), in stator winding.	M	M	M	R	R	R	R	R	R	R
441	PTC-thermistors (3 in series, 130°C & 3 in series, 150°C), in stator winding.	M	M	M	M	M	M	M	M	M	M
442	PTC-thermistors (3 in series, 150°C & 3 in series, 170°C), in stator winding.	M	M	R	M	M	M	M	M	M	M
445	Pt100 2-wire in stator winding, 1 per phase.	NA	NA	R	M	M	M	M	M	M	M

¹⁾ Certain variant codes cannot be used simultaneously.

S = Included as standard.

M = On modification of a stocked motor, or on new manufacture, the number per order may be limited.

P = New manufacture only.

R = On request.

NA = Not applicable.

Code	Variant	Motor size			M2AA	M2AA	M2AA	M3AA	M3AA	M3AA	M3AA
		56-63	71-80	90-100	112-132	160-200	225-250	112-132	160-180	200-250	280
Terminal box											
015	Motor supplied in D-connection.	M	M	M	M	M	M	M	M	M	M
017	Motor supplied in Y-connection.	M	M	M	M	M	M	M	M	M	M
019	Larger than standard terminal box.	NA	NA	NA	M	M	M	M	M	M	NA
021	Terminal box LHS, seen from D-end (= L prod.code).	NA	M	M	NA	NA	R	NA	NA	P	P
180	Terminal box RHS, seen from D-end (= R prod.code).	NA	M	M	NA	NA	R	NA	NA	P	P
112	Mounting of plug-in contact.	R	R	R	R	NA	NA	R	NA	NA	NA
136	Extended cable connection, standard terminal box.	NA	NA	R	R	R	R	R	R	R	R
137	Extended cable connection, low terminal box. "Flying leads".	NA	P	P	R	R	R	R	R	R	R
157	Terminal box degree of protection IP 65.	NA	NA	NA	R	R	R	R	R	R	R
187	Cable glands of non-standard design.	NA	NA	NA	R	R	R	R	R	R	R
230	Standard metal cable glands.	M	M	M	M	M	M	M	M	M	M
402	Terminal box adapted for Al cables.	NA	NA	NA	NA	NA	NA	NA	NA	P	P
375	Standard plastic cable gland.	M	M	M	M	NA	NA	M	NA	NA	NA
402	Terminal box adapted for Al cables.	NA	NA	NA	NA	NA	R	NA	NA	P	P
413	Extended cable connection, no terminal box.	NA	NA	NA	NA	NA	NA	NA	NA	R	R
418	Separate terminal box for auxiliaries, standard material.	NA	NA	R	M	M	M	M	M	M	M
467	Lower than standard terminal box and rubber extended cable. Cable, length 2 m, included.	NA	NA	NA	M	R	R	M	M	M	M
468	Cable entry from D-end.	NA	NA	NA	R	R	R	R	R	R	R
469	Cable entry from N-end.	NA	NA	NA	R	R	R	R	R	R	R
729	Cable flanges without holes / Blank gland plates.	NA	NA	NA	NA	NA	M	NA	NA	M	M
376	Two standard plastic cable glands.	M	M	M	M	NA	NA	M	NA	NA	NA
731	Two standard metal cable glands.	M	M	M	M	M	M	M	M	M	M
Testing											
140	Test confirmation.	M	M	M	M	M	M	M	M	M	M
145	Type test report from a catalogue motor, 400 V 50 Hz.	M	M	M	M	M	M	M	M	M	M
146	Type test with report for motor from specific delivery batch.	P	P	M	M	M	M	M	M	M	M
147	Type test report with motor from spec. del. batch, customer witnessed.	P	P	M	M	M	M	M	M	M	M
148	Routine test report. Witnessed routine test = 146.	P	P	M	M	M	M	M	M	M	M
149	Test according to separate test specification.	NA	NA	R	R	R	R	R	R	R	R
153	Reduced test for classification society.	M	M	M	M	M	M	M	M	M	M
221	Type test and multi-point load test with report for motor from specific delivery batch.	R	R	M	M	M	M	M	M	M	M
222	Torque/speed curve, type test and multi-point load test with report from specific delivery batch.	R	R	M	M	M	M	M	M	M	M
760	Vibration level test.	R	R	M	M	M	M	M	M	M	M
761	Vibration spectrum test.	NA	NA	NA	R	R	R	R	R	R	R
762	Noise level test.	R	R	M	M	M	M	M	M	M	M
763	Noise spectrum test.	NA	NA	M	R	R	R	R	R	R	R
764	Complete test with ABB frequency converter available at ABB Motors test field.	NA	NA	R	R	R	R	R	R	R	R

¹⁾ Certain variant codes cannot be used simultaneously.

S = Included as standard.
M = On modification of a stocked motor, or on new manufacture, the number per order may be limited.

P = New manufacture only.
R = On request.
NA = Not applicable.

Code	Variant	Motor size			M2AA	M2AA	M2AA	M3AA	M3AA	M3AA	M3AA
		56-63	71-80	90-100	112-132	160-200	225-250	112-132	160-180	200-250	280
Variable speed drives											
See also the Accessories section for further information. For long cables, see code 405 "Insulation systems".											
701	Insulated bearing at N-end. For fan and pump duty up to 500 V.	NA	NA	NA	NA	NA	NA	NA	NA	M	M
704	EMC cable gland.	NA	NA	NA	M	R	R	M	M	M	M
Separate motor cooling											
183	Separate motor cooling (fan axial, N-end).	NA	M	M	NA	R	R	NA	M	M	M
189	Separate motor cooling, IP44, 400V 50Hz (fan axial, N-end).	NA	NA	NA	M	M	M	M	M	M	M
Mounting of tacho; tacho not included											
182	Pulse sensor mounted as specified.	R	R	R	R	NA	NA	R	R	R	R
470	Prepared for hollow shaft pulse tacho (Leine & Linde equivalent).	R	R	R	P	R	R	P	M	M	M
570	Prepared for hollow shaft pulse tacho (L&L 503).	R	R	R	P	M	M	P	M	M	M
Mounting of tacho; tacho included											
472	1024 of pulse tacho (Leine & Linde 861) mounted.	NA	NA	R	P	R	R	P	M	M	M
473	2048 of pulse tacho (Leine & Linde 861) mounted.	NA	NA	R	P	R	R	P	M	M	M
572	1024 pulse tacho (L&L 503).	NA	NA	R	M	M	M	M	M	M	M
573	2048 pulse tacho (L&L 503).	NA	NA	R	P	M	M	P	M	M	M
Separate motor cooling & prepared for tacho; tacho not included											
474	Separate motor cooling (fan axial, N-end) and prepared for hollow shaft tacho (Leine&Linde equivalent).	NA	NA	R	P	R	R	P	M	M	M
574	Separate motor cooling (fan axial, N-end) and prepared for hollow shaft tacho (L&L 503).	NA	NA	R	NA	R	R	NA	M	M	M
578	Separate motor cooling, IP44, 400V, 50Hz (fan axial, N-end) and prepared for hollow shaft tacho (L&L 503).	NA	NA	R	P	M	M	P	M	M	M
Separate motor cooling & tacho; tacho included											
476	Separate motor cooling (fan axial, N-end) and 1024 pulse tacho (Leine & Linde 861) mounted.	NA	NA	R	P	R	R	P	M	M	M
477	Separate motor cooling (fan axial, N-end) and 2048 pulse tacho (Leine & Linde 861) mounted.	NA	NA	R	P	R	R	P	M	M	M
576	Separate motor cooling (fan axial, N-end) and 1024 pulse tacho (L&L 503).	NA	NA	R	NA	R	R	NA	M	M	M
577	Separate motor cooling (fan axial, N-end) and 2048 pulse tacho (L&L 503).	NA	NA	R	NA	R	R	NA	M	M	M
580	Separate motor cooling IP44, 400V 50Hz (fan axial, N-end) and 1024 pulse tacho (L&L 503).	NA	NA	R	P	M	M	P	M	M	M
581	Separate motor cooling IP44 400V, 50Hz (fan axial, N-end) and 2048 pulse tacho (L&L 503).	NA	NA	R	P	M	M	P	M	M	M
Y/D starting											
117	Terminals for Y/D start at both speeds (two-speed separate windings).	NA	NA	P	NA	P	NA	NA	P	P	P
118	Terminals for Y/D start at high speed (two-speed separate windings).	NA	NA	NA	P	NA	NA	P	NA	NA	NA

¹⁾ Certain variant codes cannot be used simultaneously.

S = Included as standard.

M = On modification of a stocked motor, or on new manufacture, the number per order may be limited.

P = New manufacture only.

R = On request.

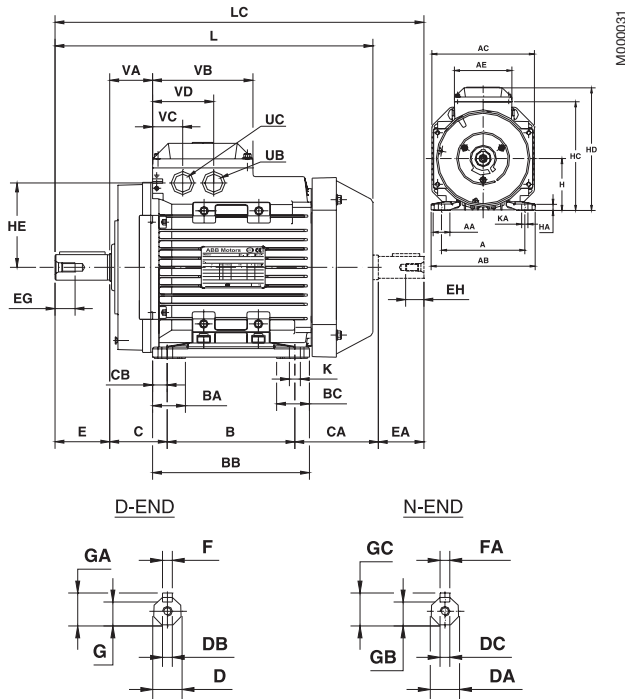
NA = Not applicable.

General purpose aluminum motors

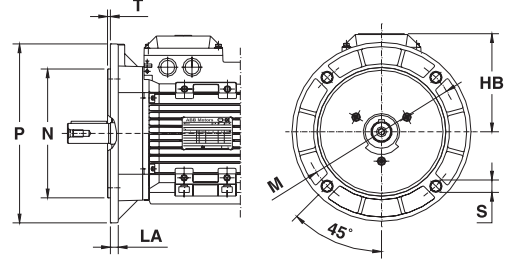
Sizes 56-112

Dimension drawings

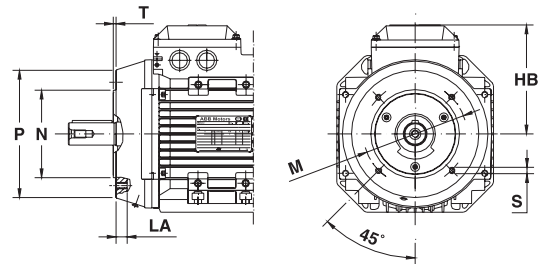
**Foot-mounted motor;
IM B3 (IM 1001), IM 1002**



**Flange-mounted motor, large flange;
IM B5 (IM 3001), IM 3002**



**Flange-mounted motor, small flange;
IM B14 (IM 3601)**



IM B3 (IM 1001), IM 1002

Motor size	A	AA	AB	AC	AE	B	BB	C	CA	CB	D	DA	DB	DC	E	EA	EG	EH	F	FA
56	90	18	108	110	72	71	85	36	78	7	9	9	M3	M3	20	20	9	9	3	3
63	100	25	120	120	85	80	98	40	74	10	11	11	M4	M4	23	23	10	10	4	4
71	112	24	136	130	85	90	110	45	78	10	14	11	M5	M4	30	23	13	10	5	4
80	125	28	154	150	97	100	125	50	80	12.5	19	14	M6	M5	40	30	16	13	6	5
90 S	140	27	170	177	110	100	125	56	81	12.5	24	14	M8	M5	50	30	19	12.5	8	5
90 L	140	27	170	177	110	125	150	56	81	12.5	24	14	M8	M5	50	30	19	12.5	8	5
100	160	32	197	197	110	140	172	63	91	16	28	19	M10	M6	60	40	22	19	8	6
112 ¹⁾	190	41	230	197	110	140	172	70	106	16	28	19	M10	M6	60	40	22	10	8	6

Motor size	G	GA	GB	GC	H	HA	HC	HD	HE	K	KA	L	LC	UB	UC	VA	VB	VC	VD
56	7.2	10.2	7.2	10.2	56	8	110	159	71	5.8	9	197	225	Pg11	M16x1.5	30	72	26	53
63	8.5	12.5	8.5	12.5	63	7	120	151	50	7	11	214	237	Pg11	M16x1.5	31	92	30.5	61.5
71	11	16	8.5	12.5	71	9	130	176	63	7	10	238	266	Pg16	M20x1.5	35	92	22	57
80	15.5	21.5	11	16	80	10	150	190	67	10	15	265	300	Pg16	M20x1.5	37	100	26	61
90 S	20	27	11	16	90	11	177	217	82.5	10	14	282	317	M20x1.5	M25x1.5	43.5	110	33	67
90 L	20	27	11	16	90	11	177	217	82.5	10	14	307	342	M20x1.5	M25x1.5	43.5	110	33	67
100	24	31	15.5	21.5	100	12	198	237	92.5	12	15	349	394	M20x1.5	M25x1.5	47	110	33	67
112 ¹⁾	24	31	15.5	21.5	112	12	221	249	92.5	12	15	371	416	M20x1.5	M25x1.5	47	110	33	67

¹⁾ Frame size 112, only generation code -E

IM B5 (IM 3001), IM 3002

Motor size	HB	LA	M	N	P	S	T
56	103	10	100	80	120	7	3
63	108	10	115	95	140	10	3
71	105	10	130	110	160	10	3.5
80	110	12	165	130	200	12	3.5
90	127	10	165	130	200	12	3.5
100	137	11	215	180	250	15	4

IM B14 (IM 3601), IM 3602

Motor size	HB	LA	M	N	P	S	T
56	103	10	65	50	80	M5	2.5
63	108	10	75	60	90	M5	2.5
71	105	10	85	70	105	M6	2.5
80	110	10	100	80	120	M6	3
90	127	13	115	95	140	M8	3
100	137	14	130	110	160	M8	3.5

Above table gives the main dimensions in mm.

For detailed drawings please see our web-pages
'www.abb.com/motors&drives' or contact us.

Tolerances:

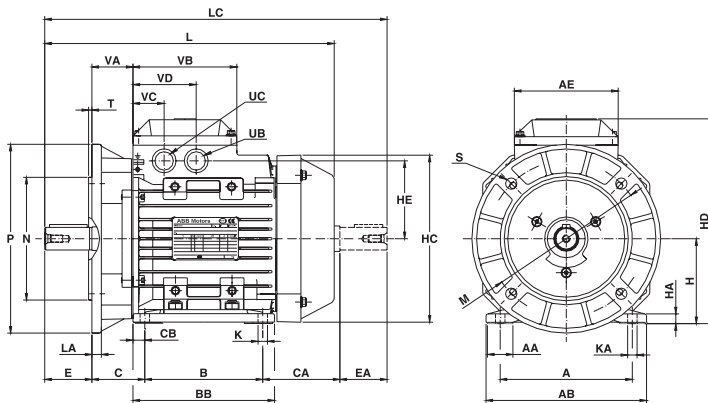
A, B	+ - 0.8	H	+0 -0.5
D, DA	ISO j6	N	ISO j6
F, FA	ISO h9	C, CA	+ - 0.8

General purpose aluminum motors

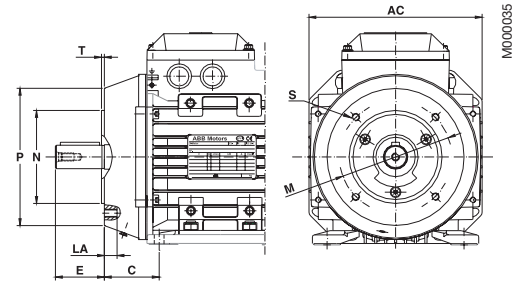
Sizes 56-112

Dimension drawings

Foot- and flange-mounted motor;
IM B35 (IM 2001), IM 2002, large flange



Foot- and flange-mounted motor;
IM B34 (IM 2101), IM 2102, small flange



IM B35 (IM 2001), IM 2002, IM B34 (IM 2101), IM 2102

Motor size	A	AA	AB	AC	AE	B	BB	C	CA	CB	D	DA	DB	DC	E	EA	EG	EH	F	FA
56	90	18	108	110	72	71	85	36	78	7	9	9	M3	M3	20	20	9	9	3	3
63	100	25	120	120	85	80	98	40	74	10	11	11	M4	M4	23	23	10	10	4	4
71	112	24	136	130	85	90	110	45	78	10	14	11	M5	M4	30	23	13	10	5	4
80	125	28	154	150	97	100	125	50	80	12.5	19	14	M6	M5	40	30	16	13	6	5
90 S	140	27	170	177	110	100	125	56	81	12.5	24	14	M8	M5	50	30	19	12.5	8	5
90 L	140	27	170	177	110	125	150	56	81	12.5	24	14	M8	M5	50	30	19	12.5	8	5
100	160	32	197	197	110	140	172	63	91	16	28	19	M10	M6	60	40	22	19	8	6
112 ¹⁾	190	41	230	197	110	140	172	70	106	16	28	19	M10	M6	60	40	22	19	8	6

Motor size	G	GA	GB	GC	H	HA	HC	HD	HE	K	KA	L	LC	UB	UC	VA	VB	VC	VD
56	7.2	10.2	7.2	10.2	56	8	110	159	71	5.8	9	197	225	Pg11	M16x1.5	30	72	26	53
63	8.5	12.5	8.5	12.5	63	7	120	151	50	7	11	214	240	Pg11	M16x1.5	31	92	30.5	61.5
71	11	16	8.5	12.5	71	9	130	176	63	7	10	238	266	Pg16	M20x1.5	35	92	22	57
80	15.5	21.5	11	16	80	10	150	190	67	10	15	265	300	Pg16	M20x1.5	37	100	26	61
90 S	20	27	11	16	90	10	177	217	82.5	10	14	282	317	M20x1.5	M25x1.5	43.5	110	33	67
90 L	20	27	11	16	90	10	177	217	82.5	10	14	307	342	M20x1.5	M25x1.5	43.5	110	33	67
100	24	31	15.5	21.5	100	12	197	237	92.5	12	15	349	394	M20x1.5	M25x1.5	47	110	33	67
112 ¹⁾	24	31	15.5	21.5	112	12	221	249	92.5	12	15	371	416	M20x1.5	M25x1.5	47	110	33	67

¹⁾ Frame size 112, only generation code -E

IM B35 (IM 2001), IM 2002

Motor size	HB	LA	M	N	P	S	T
56	103	10	100	80	120	7	3
63	108	10	115	95	140	10	3
71	105	10	130	110	160	10	3.5
80	110	12	165	130	200	12	3.5
90	127	10	165	130	200	12	3.5
100	137	11	215	180	250	15	4

IM B34 (IM 2101), IM 2102

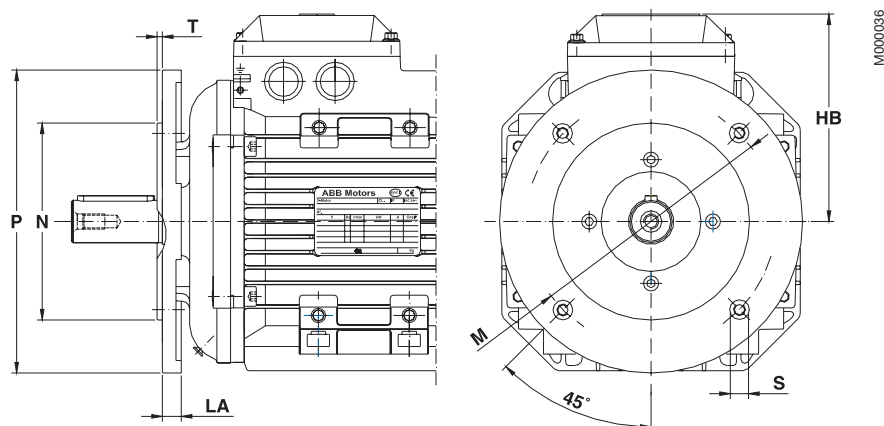
Motor size	HB	LA	M	N	P	S	T
56	103	10	65	50	80	M5	2.5
63	108	10	75	60	90	M5	2.5
71	105	10	85	70	105	M6	2.5
80	110	10	100	80	120	M6	3
90	127	13	115	95	140	M8	3
100	137	14	130	110	160	M8	3.5

Tolerances:

A, B	+ - 0.8	H	+0 -0.5
D, DA	ISO j6	N	ISO j6
F, FA	ISO h9	C, CA	+ - 0.8

Above table gives the main dimensions in mm.

For detailed drawings please see our web-pages
'www.abb.com/motors&drives' or contact us.



Motor size	IEC Flange	Flange dimensions							Variant code ¹⁾	
		HB	P	M	N	LA	S ²⁾	T	FF	FT
71	FT85	105	105	85	70	7.5	M6	2.5	-	218
	FF100 / FT100	105	120	100	80	7.5	M6	3	220	219
	FF115 / FT115	105	140	115	95	9.5	M8	3	223	224
	FF130 / FT130	105	160	130	110	9.5	M8	3.5	226	227
	FF165 / FT165	105	200	165	130	10.5	M10	3.5	233	234
80	FT85	110	105	85	70	7.5	M6	2.5	-	218
	FF100 / FT100	110	120	100	80	7.5	M6	3	220	219
	FF115 / FT115	110	140	115	95	9.5	M8	3	223	224
	FF130 / FT130	110	160	130	110	9.5	M8	3.5	226	227
	FF165 / FT165	110	200	165	130	10.5	M10	3.5	233	234
90	FT85	127	105	85	70	7.5	M6	2.5	-	218
	FF100 / FT100	127	120	100	80	7.5	M6	3	220	219
	FF115 / FT115	127	140	115	95	9.5	M8	3	223	224
	FF130 / FT130	127	160	130	110	9.5	M8	3.5	226	227
	FF165 / FT165	127	200	165	130	10.5	M10	3.5	233	234
100	FF130 / FT130	137	160	130	110	9.5	M8	3.5	226	227
	FF165 / FT165	137	200	165	130	10.5	M10	3.5	233	234
	FF215 / FT215	137	250	215	180	12.5	M12	4	243	244
112 ³⁾	FF130 / FT130	137	160	130	110	9.5	M8	3.5	226	227
	FF165 / FT165	137	200	165	130	10.5	M10	3.5	233	234
	FF215 / FT215	137	250	215	180	12.5	M12	4	243	244

Data for smaller frame sizes on request.

¹⁾ Variant code 200 'Flange ring holder' must be added when using the variant codes mentioned below.

²⁾ Flanges with clearance (FF) or tapped (FT) holes for indicated screws.

³⁾ Frame size 112, only generation code E

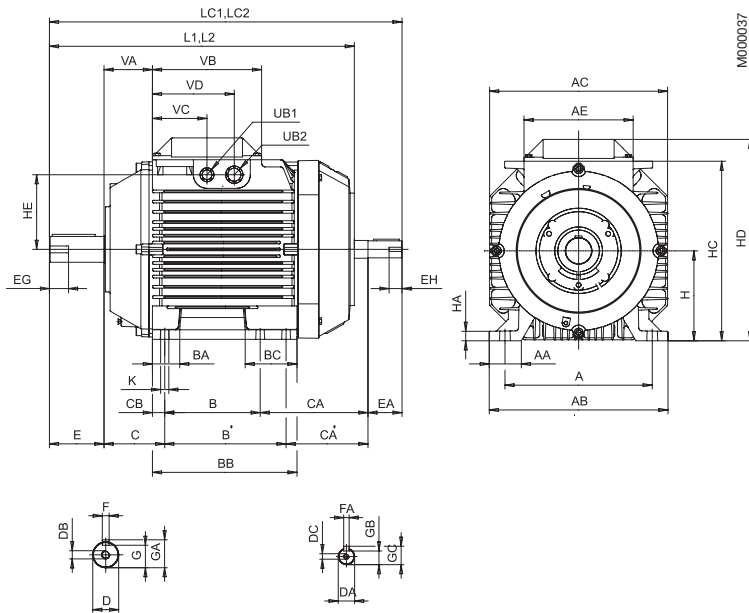
Tolerances:

General purpose aluminum motors

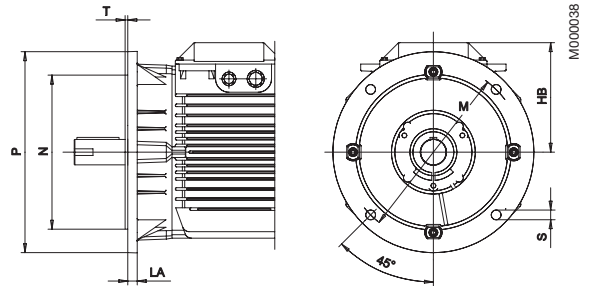
Dimension drawings

Sizes 112-132

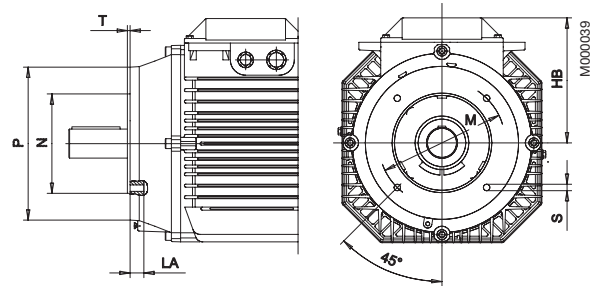
Foot-mounted motor; IM B 3 (IM 1001), IM 1002



Flange-mounted motor, large flange;



Flange-mounted motor, small flange; IM B 14 (IM 3601), IM 3602



IM B 3 (IM 1001)

Motor size	A	AA	AB	AC	AE	B	B'	BA	BB	BC	C	CA	CA'	CB	D	DA	DB	DC	E ^{B)}	EA	EG	EH	F	FA
112 ¹⁾	190	41	222	221	160	140	-	31	168	31	70	115.5	-	14	28	19	M10	M8	60	40	22	19	8	6
112 ²⁾	190	41	222	221	160	140	-	31	168	31	70	138	-	14	28	19	M10	M8	60	40	22	19	8	6
132 ³⁾	216	47	262	261	160	140	178 ^{A)}	40	212	76	89	158	120	18	38	24	M12	M8	80	50	28	19	10	8
132 ⁴⁾	216	47	262	261	160	140 ^{A)}	178	40	212	76	89	191	153	18	38	24	M12	M8	80	50	28	19	10	8

Motor size	G	GA	GB	GC	H	HA	HC	HD	HE	K	L	L1	L2	LC	LC1	LC2	UB1 ^{C)}	UB2 ^{C)}	VA	VB	VC ^{D)}	VD1	VD2
112 ¹⁾	24	31	15.5	21.5	112	12	226	258	92	12	361 ^{F)}	361 ^{F)}	361 ^{F)}	421.5	421.5	421.5	M20	M25	60	160	80	120	40
112 ²⁾	24	31	15.5	21.5	112	12	226	258	92	12	388 ^{F)}	388 ^{F)}	388 ^{F)}	448	448	448	M20	M25	60	160	80	120	40
132 ³⁾	33	41	20	27	132	14	263.5	295.5	109.5	12	447 ^{G)}	447 ^{G)}	447 ^{G)}	517	517	517	M20	M25	71	160	80	120	40
132 ⁴⁾	33	41	20	27	132	14	263.5	295.5	109.5	12	481.5 ^{G)}	481.5 ^{G)}	481.5 ^{G)}	550	550	550	M20	M25	71	160	80	120	40

IM B 5 (IM 3001)

Motor size	HB	LA	M	N	P	S	T
112 ¹⁾	146	11	215	180	250	14.5	4
112 ²⁾	146	11	215	180	250	14.5	4
132 ³⁾	163.5	14	265	230	300	14.5	4
132 ⁴⁾	163.5	14	265	230	300	14.5	4

IM B14 (IM 3601)

Motor size	HB	LA	M	N	P	S	T
112 ¹⁾	146	20	130	110	160	M8	3.5
112 ²⁾	146	20	130	110	160	M8	3.5
132 ³⁾	163.5	18	165	130	200	M10	3.5
132 ⁴⁾	163.5	18	165	130	200	M10	3.5

Tolerances

A, B ISO js14
 C, CA +2 -2
 D28 ISO j6
 D38 ISO k6
 DA ISO j6
 F, FA ISO h9
 H +0 -0.5
 N ISO j6

¹⁾ M2AA: M-2, M-4. M3AA: M-6, M8
²⁾ all 112 excl ¹⁾
³⁾ M2AA: SA-2, SB-2, S-4, M-4. M3AA: SA-2, S-4, S-6, MA-6, MB-6, S-8, M-8, S-Two-speed
⁴⁾ all 132 excl ³⁾

^{A)} Not acc to IEC.
^{B)} For IM B5 and IM B35: Shoulder of shaft extension and contact surface of flange are in the same plane.
^{C)} Knockout openings.
^{D)} Dimensions to UB1.

^{E)} Dimensions to UB2 (VD1 = right side, VD2 = left side) as viewed from the D-end.
^{F)} For variant code 053 increased by 7.5mm
^{G)} For variant code 053 increased by 5.5mm

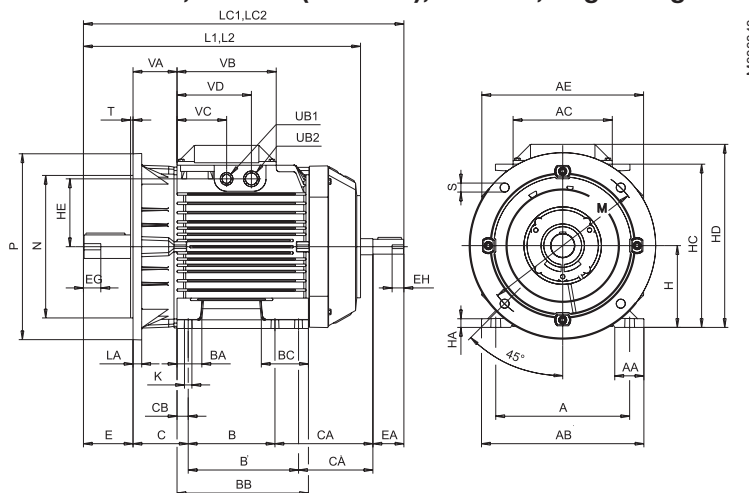
Above table gives the main dimensions in mm. For detailed drawings please see our web-pages 'www.abb.com/motors&drives' or contact us.

General purpose aluminum motors

Sizes 112-132

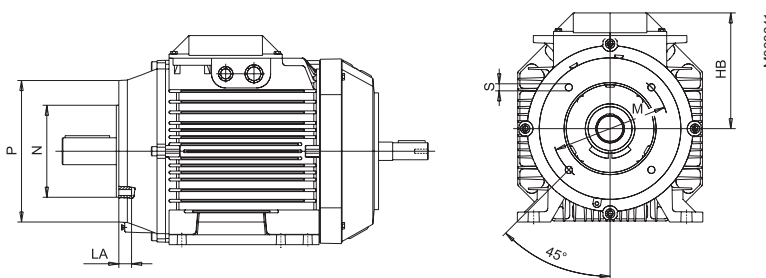
Dimension drawings

Foot- and flange-mounted motor; IM B 35 (IM 2001), IM 2002, large flange



M000040

Foot- and flange-mounted motor; IM B 34 (IM 2101), IM 2102, small flange



M000041

IM B 35 (IM 2001), IM 2002

Motor size	A	AA	AB	AC	AE	B	B'	BA	BB	BC	C	CA	CA'	CB	D	DA	DB	DC	E ⁵⁾	EA	EG	EH	F	FA
112 ¹⁾	190	41	222	221	160	140	-	31	168	31	70	115.5	-	14	28	19	M10	M8	60	40	22	19	8	6
112 ²⁾	190	41	222	221	160	140	-	31	168	31	70	138	-	14	28	19	M10	M8	60	40	22	19	8	6
132 ³⁾	216	47	262	261	160	140	178 ^{A)}	40	212	76	89	158	120	18	38	24	M12	M8	80	50	28	19	10	8
132 ⁴⁾	216	47	262	261	160	140 ^{A)}	178	40	212	76	89	191	153	18	38	24	M12	M8	80	50	28	19	10	8

Motor size	G	GA	GB	GC	H	HA	HC	HD	HE	K	L	L1	L2	LC	LC1	LC2	UB1 ⁶⁾	UB2 ⁶⁾	VA	VB	VC ⁷⁾	VD1	VD2
112 ¹⁾	24	31	15.5	21.5	112	12	226	258	92	12	361 ^{F)}	361 ^{F)}	361 ^{F)}	421.5	421.5	421.5	M20	M25	60	160	80	120	40
112 ²⁾	24	31	15.5	21.5	112	12	226	258	92	12	388 ^{F)}	388 ^{F)}	388 ^{F)}	448	448	448	M20	M25	60	160	80	120	40
132 ³⁾	33	41	20	27	132	14	263.5	295.5	109.5	12	447 ^{G)}	447 ^{G)}	447 ^{G)}	517	517	517	M20	M25	71	160	80	120	40
132 ⁴⁾	33	41	20	27	132	14	263.5	295.5	109.5	12	481.5 ^{G)}	481.5 ^{G)}	481.5 ^{G)}	550	550	550	M20	M25	71	160	80	120	40

IM B 35 (IM 2001)

Motor size	HB	LA	M	N	P	S	T
112 ¹⁾	146	11	215	180	250	14.5	4
112 ²⁾	146	11	215	180	250	14.5	4
132 ³⁾	163.5	14	265	230	300	14.5	4
132 ⁴⁾	163.5	14	265	230	300	14.5	4

IM B 34 (IM 2101)

Motor size	HB	LA	M	N	P	S	T
112 ¹⁾	146	20	130	110	160	M8	3.5
112 ²⁾	146	20	130	110	160	M8	3.5
132 ³⁾	163.5	18	165	130	200	M10	3.5
132 ⁴⁾	163.5	18	165	130	200	M10	3.5

Tolerances

A, B ISO js14
 C, CA +2 -2
 D28 ISO j6
 D38 ISO k6
 DA ISO j6
 F, FA ISO h9
 H +0 -0.5
 N ISO j6

¹⁾ M2AA: M-2, M-4. M3AA: M-6, M8
²⁾ all 112 excl 1)
³⁾ M2AA: SA-2, SB-2, S-4, M-4. M3AA: SA-2, S-4, S-6, MA-6, MB-6, S-8, M-8, S-Two-speed
⁴⁾ all 132 excl 3)

^{A)} not acc to IEC.

^{B)} For IM B5 and IM B35: Shoulder of shaft extension and contact surface of flange are in the same plane.

^{C)} Knockout openings.

^{D)} Dimensions to UB1.

^{E)} Dimensions to UB2 (VD1 = right side, VD2 = left side) as viewed from the D-end.

^{F)} For variant code 053 increased by 7.5mm

^{G)} For variant code 053 increased by 5.5mm

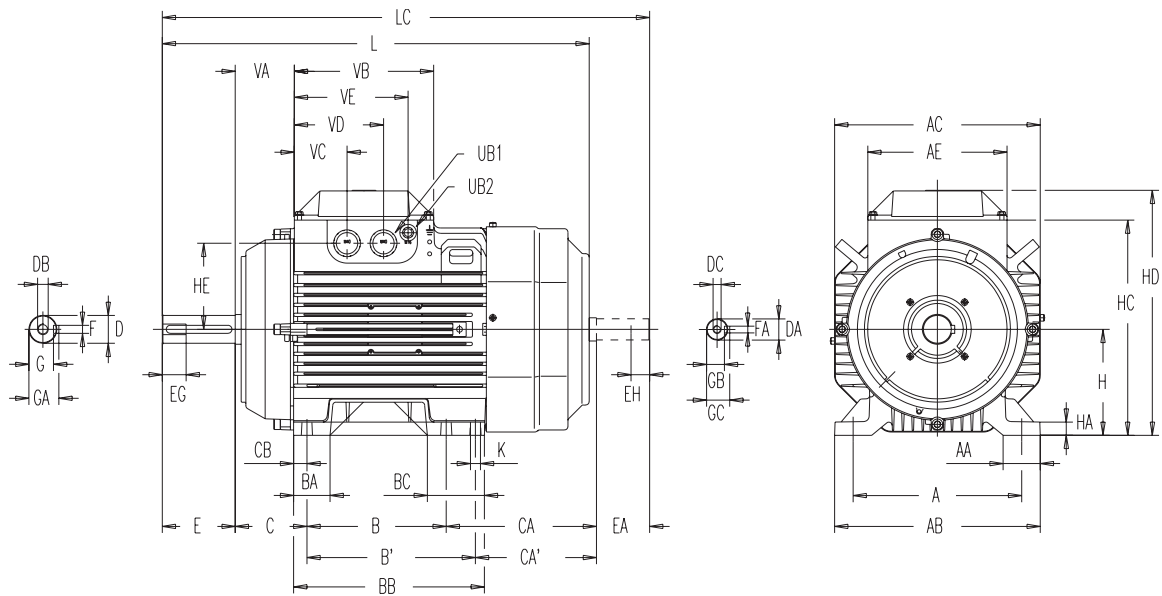
Above table gives the main dimensions in mm. For detailed drawings please see our web-pages 'www.abb.com/motors&drives' or contact us.

General purpose aluminum motors

Dimension drawings

M2AA 160-200

Foot-mounted motor; IM B3 (IM 1001), IM 1002



M000042

2

IM B3 (IM 1001), IM 1002

Motor size	A	AA	AB	AC	AE	B ⁸⁾	B' ⁸⁾	BA	BB	BC	C	CA	CA'	CB	D	DA	DB	DC	E	EA	EG	EH	F
160 ³⁾	254	56	310	310	210	210	254	55	287.5	86	108	185.5	141.5	20	42	32	M16	M12	110	80	36	28	12
180 ⁴⁾	279	65.5	340	310	210	241	279	58	316	88	121	185.5	141.5	25	48	32	M16	M12	110	80	36	28	14
180 ⁵⁾	279	65.5	340	310	210	241	279	58	316	88	121	226.5	182.5	25	48	32	M16	M12	110	80	36	28	14
200 ⁶⁾	318	64	380	360	210	267	305	98	365	98	133	218	180	30	55	32	M20	M12	110	80	42	28	16
200 ⁷⁾	318	64	380	360	210	267	305	98	365	98	133	238	200	30	55	32	M20	M12	110	80	42	28	16

Motor size	FA	G	GA	GB	GC	H	HA	HC	HD	HE	K	L	LC	UB1 ²⁾	UB2 ²⁾	VA	VB	VC	VD	VE
160 ³⁾	10	37	45	27	35	160	20	325	370	130	15	602.5	693.5	2*M40	M16	89	210	84.5	134.5	167.5
180 ⁴⁾	10	42.5	51.5	27	35	180	20	345	390	130	15	602.5	693.5	2*M40	M16	89	210	84.5	134.5	167.5
180 ⁵⁾	10	42.5	51.5	27	35	180	20	345	390	130	15	643.5	734.5	2*M40	M16	89	210	84.5	134.5	167.5
200 ⁶⁾	10	49	59	27	35	200	25	380	425	145	18	711.5	801.5	2*M40	M16	109	210	84.5	134.5	167.5
200 ⁷⁾	10	49	59	27	35	200	25	380	425	145	18	732	821.5	2*M40	M16	109	210	84.5	134.5	167.5

Tolerances

A, B ISO js14
 C, CA 0 +2
 DA 32 ISO k6
 D 45-48 ISO k6
 D 55 ISO m6
 F, FA ISO h9
 H +0 -0.5

²⁾ Knockout openings.

³⁾ MA-2, M-2, L-2, M-4, L-4

⁴⁾ M-2, M-4

⁵⁾ L-4

⁶⁾ LA-4

⁷⁾ L-2, L-4

⁸⁾ 160 M, 180 M: B' not acc. to IEC

160 L, 180 L, 200 LA: B not acc. to IEC

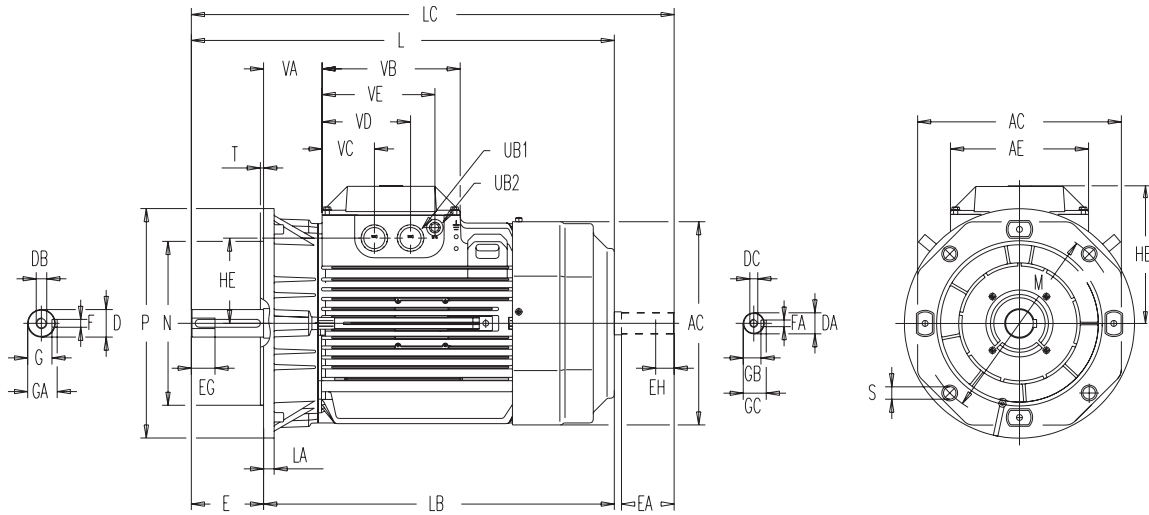
Above table gives the main dimensions in mm.
 For detailed drawings please see our web-pages
 'www.abb.com/motors&drives' or contact us.

General purpose aluminum motors

Dimension drawings

M2AA 160-200

Flange-mounted motor; IM B5 (IM 3001), IM 3002



IM B5 (IM 3001), IM 3002

Motor size	AC	AE	D	DA	DB	DC	E ⁶⁾	EA	EG	EH	F	FA	G	GA	GB	GC	HB	HE
160 ³⁾	310	210	42	32	M16	M12	110	80	36	28	12	10	37	45	27	35	210	130
180 ⁴⁾	310	210	48	32	M16	M12	110	80	36	28	14	10	42.5	51.5	27	35	210	130
180 ⁵⁾	310	210	48	32	M16	M12	110	80	36	28	14	10	42.5	51.5	27	35	210	130
200 ⁶⁾	360	210	55	32	M20	M12	110	80	42	28	16	10	49	59	27	35	210	145
200 ⁷⁾	360	210	55	32	M20	M12	110	80	42	28	16	10	49	59	27	35	210	145

Motor size	L	LA	LB	LC	M	N	P	S	T	UB1 ²⁾	UB2 ²⁾	VA	VB	VC	VD	VE
160 ³⁾	602.5	16	492.5	693.5	300	250	350	19	5	2*M40	M16	89	210	79.5	134.5	171.5
180 ⁴⁾	602.5	16	492.5	693.5	300	250	350	19	5	2*M40	M16	89	210	79.5	134.5	171.5
180 ⁵⁾	643.5	16	533.5	734.5	300	250	350	19	5	2*M40	M16	89	210	79.5	134.5	171.5
200 ⁶⁾	711.5	20	601.5	801.5	350	300	400	19	5	2*M40	M16	109	210	79.5	134.5	171.5
200 ⁷⁾	732	20	622	821.5	350	300	400	19	5	2*M40	M16	109	210	79.5	134.5	171.5

Tolerances

DA 32 ISO k6
D 45-48 ISO k6
D 55 ISO m6
F, FA ISO h9
N ISO j6

²⁾ Knockout openings.

³⁾ MA-2, M-2, L-2, M-4, L-4

⁴⁾ M-2, M-4

⁵⁾ L-4

⁶⁾ LA-2

⁷⁾ L-2, L-4

⁸⁾ Shoulder of shaft extension and contact surface of flange are in the same plane.

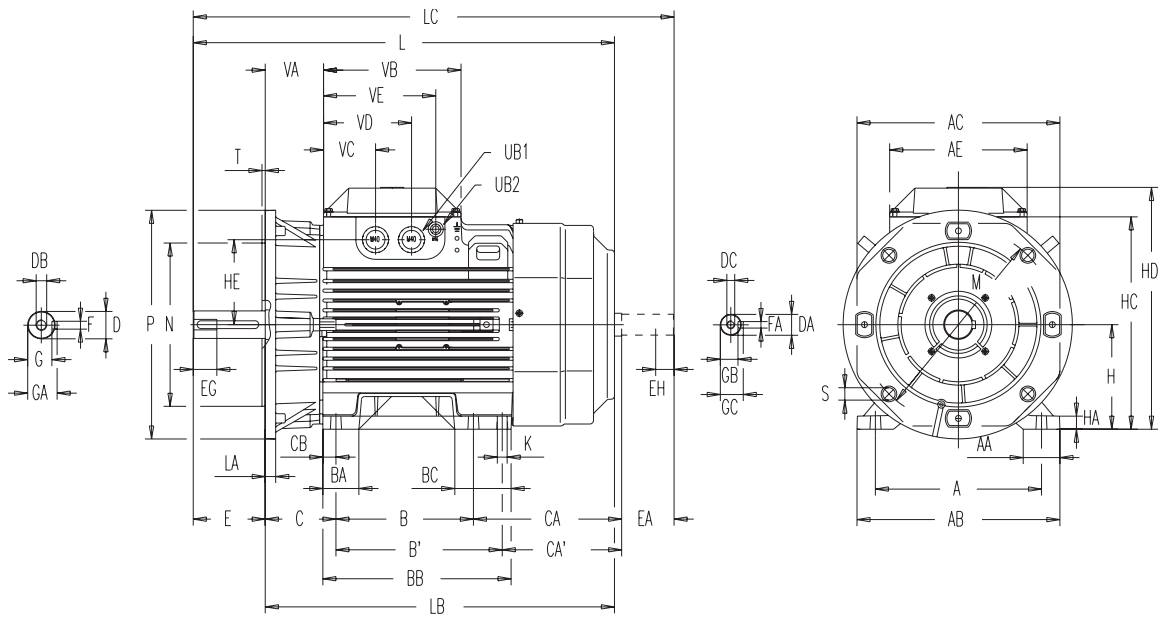
Above table gives the main dimensions in mm.
For detailed drawings please see our web-pages
'www.abb.com/motors&drives' or contact us.

General purpose aluminum motors

Dimension drawings

M2AA 160-200

Foot- and flange-mounted motor; IM B35 (IM 2001), IM 2002



M000044

2

IM B35 (IM 2001), IM 2002

Motor size	A	AA	AB	AC	AE	B ⁹⁾	B' ⁹⁾	BA	BB	BC	C	CA	CA'	CB	D	DA	DB	DC
160 ³⁾	254	56	310	310	210	210	254	55	287.5	86	108	185.5	141.5	20	42	32	M16	M12
180 ⁴⁾	279	65.5	340	310	210	241	279	58	316	88	121	185.5	141.5	25	48	32	M16	M12
180 ⁵⁾	279	65.5	340	310	210	241	279	58	316	88	121	226.5	182.5	25	48	32	M16	M12
200 ⁶⁾	318	64	380	360	210	267	305	98	365	98	133	218	180	30	55	32	M20	M12
200 ⁷⁾	318	64	380	360	210	267	305	98	365	98	133	238	200	30	55	32	M20	M12

Motor size	E ⁶⁾	EA	EG	EH	F	FA	G	GA	GB	GC	H	HA	HB	HC	HD	HE	K	L
160 ³⁾	110	80	36	28	12	10	37	45	27	35	160	20	325	370	130	15	602.5	
180 ⁴⁾	110	80	36	28	14	10	42.5	51.5	27	35	180	20	345	390	130	15	602.5	
180 ⁵⁾	110	80	36	28	14	10	42.5	51.5	27	35	180	20	345	390	130	15	643.5	
200 ⁶⁾	110	80	42	28	16	10	49	59	27	35	200	25	380	425	145	18	711.5	
200 ⁷⁾	110	80	42	28	16	10	49	59	27	35	200	25	380	425	145	18	732	

Motor size	LA	LB	LC	M	N	P	S	T	UB1 ²⁾	UB2 ²⁾	VA	VB	VC	VD	VE
160 ³⁾	16	492.5	693.5	300	250	350	19	5	2*M40	M16	89	210	79.5	134.5	171.5
180 ⁴⁾	20	492.5	693.5	300	250	350	19	5	2*M40	M16	89	210	79.5	134.5	171.5
180 ⁵⁾	20	533.5	734	300	250	350	19	5	2*M40	M16	89	210	79.5	134.5	171.5
200 ⁶⁾	20	601.5	801.5	350	300	400	19	5	2*M40	M16	109	210	79.5	134.5	171.5
200 ⁷⁾	20	622.0	821.5	350	300	400	19	5	2*M40	M16	109	210	79.5	134.5	171.5

Tolerances

A, B ISO js14
 C, CA +0 -2
 DA32 ISO k6
 D45-48 ISO k6
 D55 ISO m6
 F, FA ISO h9
 H +0 -0.5
 N ISO j6

²⁾ Knockout openings.

³⁾ MA-2, M-2, L-2, M-4, L-4

⁴⁾ M-2, M-4

⁵⁾ L-4

⁶⁾ LA-2

⁷⁾ L-2, L-4

⁸⁾ Shoulder of shaft extension and contact surface of flange are in the same plane.

⁹⁾ 160 M, 180 M: B' not acc. to IEC.

160 L, 180 L, 200 LA: B not acc. to IEC.

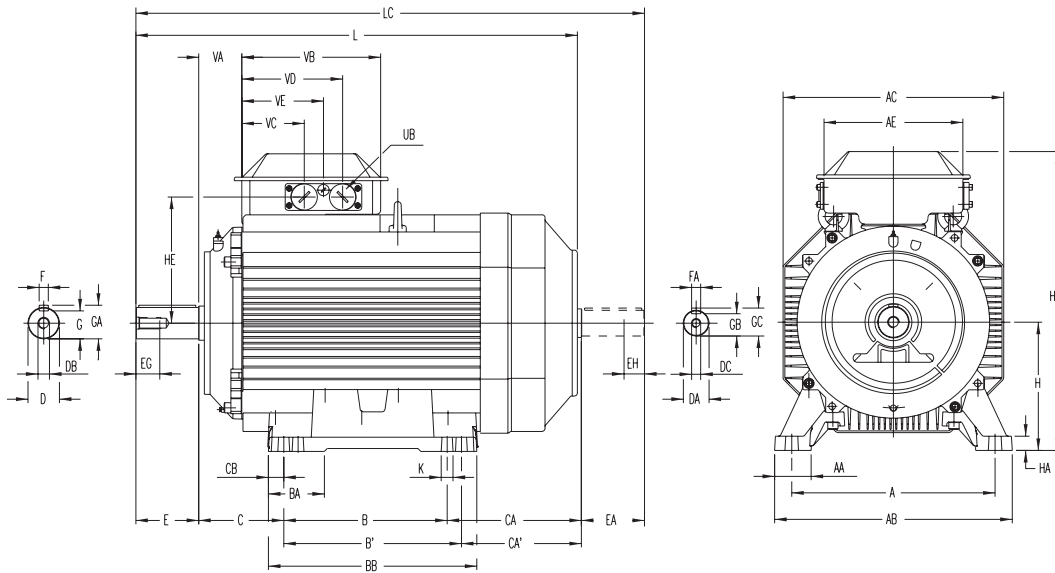
Above table gives the main dimensions in mm.
 For detailed drawings please see our web-pages
www.abb.com/motors&drives or contact us.

General purpose aluminum motors

Dimension drawings

M2AA 225-250

Foot-mounted motor; IM B3 (IM 1001), IM 1002



Dimension AD and HD refer to side mounted terminal box, see page 72.

IM B3 (IM 1001), IM 1002

Motor size	A	AA	AB	AC	AE	B ⁵⁾	B'	BA	BB	C	CA	CA'	CB	D	DA	DB	DC	E	EA	EG	EH
225 M-2	356	64	416	386	243	286 ⁷⁾	311	81.5	365	149	238	213	27	55	45	M20	M16	110	110	42	36
225 S-4	356	64	416	386	243	286	311 ⁸⁾	81.5	365	149	238	213	27	60	45	M20	M16	140	110	42	36
225 M-4	356	64	416	386	243	286 ⁷⁾	311	81.5	365	149	278	253	27	60	45	M20	M16	140	110	42	36
250 M-2	406	76	472	425	243	311 ⁷⁾	349	99.5	409	168	256	218	30	60	55	M20	M20	140	110	42	42
250 M-4	406	76	472	425	243	311 ⁷⁾	349	99.5	409	168	256	218	30	65	55	M20	M20	140	110	42	42

Motor size	F	FA	G	GA	GB	GC	H	HA	HD	HE	K	L	LC	UB ²⁾	VA	VB	VC ³⁾	VC ⁴⁾	VD ³⁾	VD ⁴⁾
225 M-2	16	14	49	59	39.5	48.5	225	25	525.5	221	18	773	893	2xFL 13	75.5	243	109.5	81.5	176.5	171.5
225 S-4	18	14	53	64	39.5	48.5	225	25	525.5	221	18	803	923	2xFL 13	75.5	243	109.5	81.5	176.5	171.5
225 M-4	18	14	53	64	39.5	48.5	225	25	525.5	221	18	843	963	2xFL 13	75.5	243	109.5	81.5	176.5	171.5
250 M-2	18	16	53	64	49	59	250	40	571	241	22	866	985	2xFL 13	93.5	243	109.5	81.5	176.5	171.5
250 M-4	18	16	58	69	49	59	250	40	571	241	22	866	985	2xFL 13	93.5	243	109.5	81.5	176.5	171.5

Motor size	VE ³⁾	VE ⁴⁾
225 M-2	143	126.5
225 S-4	143	126.5
225 M-4	143	126.5
250 M-2	143	126.5
250 M-4	143	126.5

Tolerances

A, B	ISO js14
C, CA	0 +2
DA 45	ISO k6
D, DA 55-65	ISO m6
F, FA	ISO h9
H	+0 - 0.5

- 2) Flange opening is provided with pipe flange FL 13, with tapped lead-in holes plugged with sealing plugs.
Single- and two-speed motors: 2 x M40 + M16.
Motors for 230 V 50 Hz have pipe flange FL 21 and 2 x M63 + M16.
- 3) For flange opening FL 13: 2 x M40 + M16.
- 4) For extra large terminal box with flange opening FL 21: 2 x M63 + M16.
- 5) Basic design only.
- 6) Dimension CB = 30 for high output design.
- 7) Not according to IEC for M.
- 8) Not according to IEC for S.

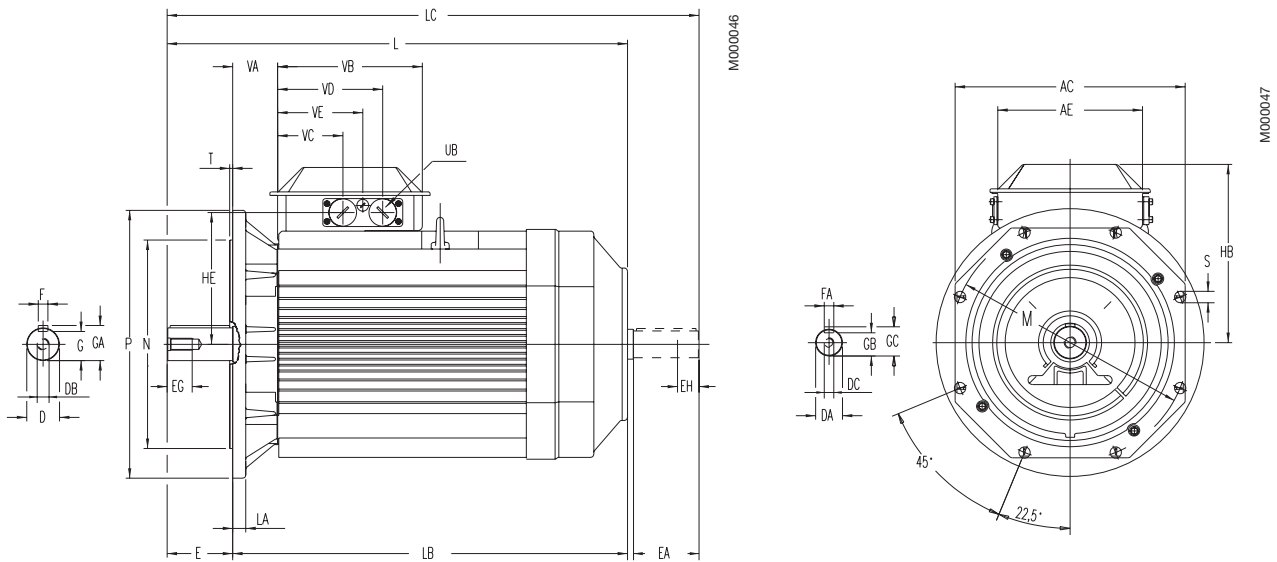
Above table gives the main dimensions in mm.
For detailed drawings please see our web-pages
'www.abb.com/motors&drives' or contact us.

General purpose aluminum motors

Dimension drawings

M2AA 225-250

Flange-mounted motor; IM B5 (IM 3001), IM 3002



IM B5 (IM 3001), IM 3002

Motor size	AC	AE	D	DA	DB	DC	E ²⁾	EA	EG	EH	F	FA	G	GA	GB	GC	HB	HE
225 M-2	386	243	55	45	M20	M16	110	110	42	36	16	14	49	59	39.5	48.5	300.5	221
225 S-4	386	243	60	45	M20	M16	140	110	42	36	18	14	53	64	39.5	48.5	300.5	221
225 M-4	386	243	60	45	M20	M16	140	110	42	36	18	14	53	64	39.5	48.5	300.5	221
250 M-2	425	243	60	55	M20	M20	140	110	42	42	18	16	53	64	49	59	321	241
250 M-4	425	243	65	55	M20	M20	140	110	42	42	18	16	58	69	49	59	321	241

Motor size	L	LA	LB	LC	M	N	P	S	T	UB ³⁾	VA	VB	VC ⁴⁾	VC ⁵⁾	VD ⁴⁾	VD ⁵⁾	VE ⁴⁾	VE ⁵⁾
225 M-2	773	22	663	893	400	350	450	19	5	2 x FL 13	75.5	243	109.5	81.5	176.5	171.5	143	126.5
225 S-4	803	22	663	923	400	350	450	19	5	2 x FL 13	75.5	243	109.5	81.5	176.5	171.5	143	126.5
225 M-4	843	22	703	963	400	350	450	19	5	2 x FL 13	75.5	243	109.5	81.5	176.5	171.5	143	126.5
250 M-2	866	22	725	985	500	450	550	19	5	2 x FL 13	93.5	243	109.5	81.5	176.5	171.5	143	126.5
250 M-4	866	22	725	985	500	450	550	19	5	2 x FL 13	93.5	243	109.5	81.5	176.5	171.5	143	126.5

Tolerances

DA 45	ISO k6
D, DA 55-60	ISO m6
F, FA	ISO h9
N	ISO js6

²⁾ Shoulder of shaft extension and contact surface of flange are in the same plane.

³⁾ Flange opening is provided with pipe flange FL 13, with tapped lead-in holes plugged with sealing plugs.
Single- and two-speed motors: 2 x M40 + M16.
Motors for 230 V 50 Hz have pipe flange FL 21 and 2 x M63 + M16.

⁴⁾ For flange opening FL 13: 2 x M40 + M16.

⁵⁾ For extra large terminal box with flange opening FL 21: 2 x M63 + M16.

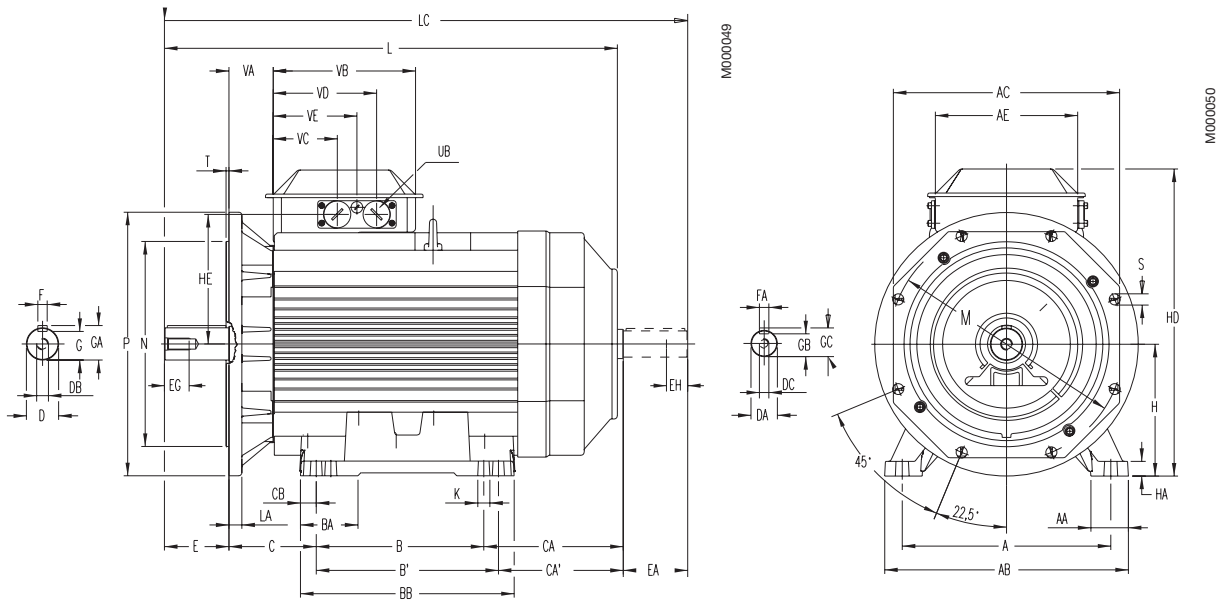
Above table gives the main dimensions in mm.
For detailed drawings please see our web-pages
www.abb.com/motors&drives or contact us.

General purpose aluminum motors

Dimension drawings

M2AA 225-250

Foot- and flange-mounted motor; IM B35 (IM 2001), IM 2002



IM B35 (IM 2001), IM 2002

Motor size	A	AA	AB	AC	AE	B	B'	BA	BB	C	CA	CA'	CB	D	DA	DB	DC	E ⁵⁾	EA	EG	EH	F	FA	G	GA
225 M-2	356	64	416	386	243	286	311	81.5	365	149	238	213	27	55	45	M20	M16	110	110	42	36	16	14	49	59
225 S-4	356	64	416	386	243	286	311	81.5	365	149	238	213	27	60	45	M20	M16	140	110	42	36	18	14	53	64
225 M-4	356	64	416	386	243	286	311	81.5	365	149	278	253	27	60	45	M20	M16	140	110	42	36	18	14	53	64
250 M-2	406	76	472	425	243	311	349	99.5	409	168	256	218	30	60	55	M20	M20	140	110	42	42	18	16	53	64
250 M-4	406	76	472	425	243	311	349	99.5	409	168	256	218	30	65	55	M20	M20	140	110	42	42	18	16	58	69

Motor size	GB	GC	H	HA	HD	HE	K	L	LA	LB	LC	M	N ¹⁾	P	S	T	UB ²⁾	VA	VB	VC ³⁾	VC ⁴⁾	VD ³⁾	VD ⁴⁾
225 M-2	39.5	48.5	225	25	525.5	221	18	773	22	663	893	400	350	450	19	5	2 x FL 13	75.5	243	109.5	81.5	176.5	171.5
225 S-4	39.5	48.5	225	25	525.5	221	18	803	22	663	923	400	350	450	19	5	2 x FL 13	75.5	243	109.5	81.5	176.5	171.5
225 M-4	39.5	48.5	225	25	525.5	221	18	843	22	703	963	400	350	450	19	5	2 x FL 13	75.5	243	109.5	81.5	176.5	171.5
250 M-2	49	59	250	40	571	241	22	866	22	725	985	500	450	550	19	5	2 x FL 13	93.5	243	109.5	81.5	176.5	171.5
250 M-4	49	59	250	40	571	241	22	866	22	725	985	500	450	550	19	5	2 x FL 13	93.5	243	109.5	81.5	176.5	171.5

Motor size	VE ³⁾	VE ⁴⁾
225 M-2	143	126.5
225 S-4	143	126.5
225 M-4	143	126.5
250 M-2	143	126.5
250 M-4	143	126.5

Tolerances

A, B	ISO js14
C, CA	0 +2
D 44	ISO k6
D, DA 55-65	ISO m6
F, FA	ISO h9
H	+0 -0.5

²⁾ Flange opening is provided with pipe flange FL 13, with tapped lead-in holes plugged with sealing plugs, 2 x M40 + M16.

³⁾ For flange opening FL 13: 2 x M40 + M16.

⁴⁾ For extra large terminal box with flange opening FL 21: 2 x M63 + M16.

⁵⁾ Shoulder of shaft extension and contact surface of flange are in the same plane.

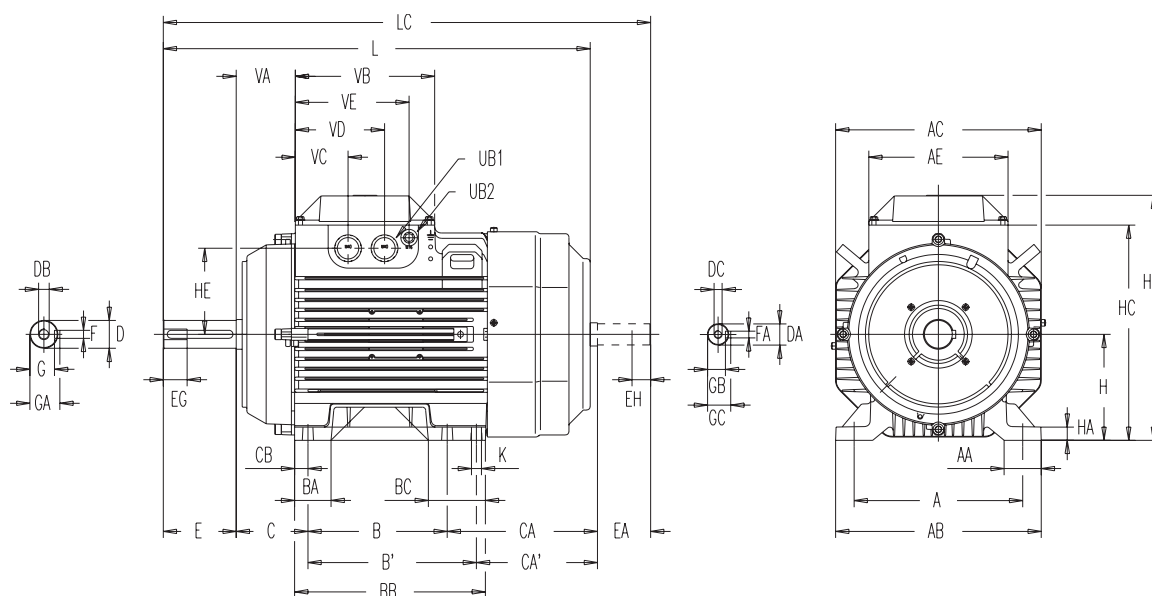
Above table gives the main dimensions in mm.
For detailed drawings please see our web-pages
'www.abb.com/motors&drives' or contact us.

General purpose aluminum motors

M3AA 160-180

Dimension drawings

Foot-mounted motor; IM B3 (IM 1001), IM 1002



IM B3 (IM 1001), IM 1002

Motor size	A	AA	AB	AC	AE	B ⁷⁾	B' ⁷⁾	BA	BB	BC	C	CA	CA'	CB	D	DA	DB	DC	E	EA	EG	EH	F
160 ³⁾	254	56	310	310	210	210	254	55	287.5	86	108	185.5	141.5	20	42	32	M16	M12	110	80	36	28	12
160 ⁴⁾	254	56	310	310	210	210	254	55	287.5	86	108	226.5	182.5	20	42	32	M16	M12	110	80	36	28	12
180 ⁵⁾	279	65.5	340	360	210	241	279	58	316	88	121	218	180	25	48	32	M16	M12	110	80	36	28	14
180 ⁶⁾	279	65.5	340	360	210	241	279	58	316	88	121	238	200	25	48	32	M16	M12	110	80	36	28	14

Motor size	FA	G	GA	GB	GC	H	HA	HC	HD	HE	K	L	LC	UB1 ²⁾	UB2 ²⁾	VA	VB	VC	VD	VE
160 ³⁾	10	37	45	27	35	160	20	325	370	130	15	602.5	693.5	2*M40	M16	89	210	84.5	134.5	167.5
160 ⁴⁾	10	37	45	27	35	160	20	325	370	130	15	643.5	734.5	2*M40	M16	89	210	84.5	134.5	167.5
180 ⁵⁾	10	42.5	51.5	27	35	180	20	360	405	145	15	680	770	2*M40	M16	77.5	210	84.5	134.5	167.5
180 ⁶⁾	10	42.5	51.5	27	35	180	20	360	405	145	15	700.5	790	2*M40	M16	77.5	210	84.5	134.5	167.5

Tolerances

A, B ISO js14
 C, CA +2 -2
 D, DA ISO k6
 F, FA ISO h9
 H +0 -0.5

²⁾ Knockout openings.

³⁾ M-2, MA-2, M-4, M-6, M-8, MA-8, L-2, L-4, L-6, MA-2/4, M-2/4, L-2/4, M-4/6, M-4/8, LB-2, LB-4

⁴⁾ L-8, L-4/6, L-4/8, LB-6, LB-8

⁵⁾ M-2, M-4, L-6, L-8, M-2/4, M-4/6, M-4/8, LB-2

⁶⁾ L-4, L-2/4, L-4/6, L-4/8, LB-4, LB-6, LB-8

⁷⁾ 160 M, 180 M: B' not acc. to IEC

160 L, 180 L: B not acc. to IEC

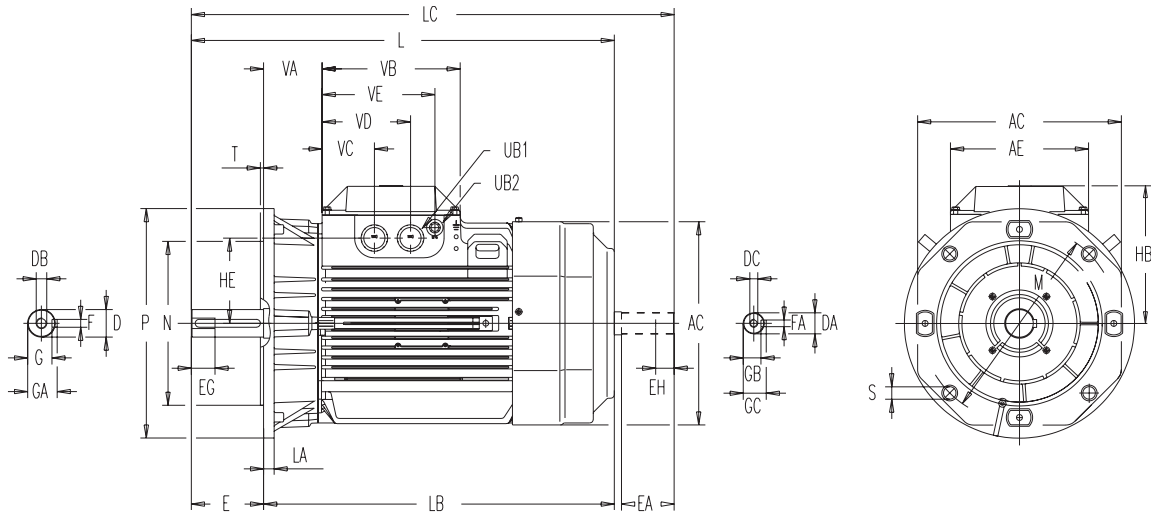
Above table gives the main dimensions in mm.
 For detailed drawings please see our web-pages
 'www.abb.com/motors&drives' or contact us.

General purpose aluminum motors

Dimension drawings

M3AA 160-180

Flange-mounted motor; IM B5 (IM 3001), IM 3002



M000043

IM B5 (IM 3001), IM 3002

Motor size	AC	AE	D	DA	DB	DC	E ⁷⁾	EA	EG	EH	F	FA	G	GA	GB	GC	HB	HE
160 ³⁾	310	210	42	32	M16	M12	110	80	36	28	12	10	37	45	27	35	210	130
160 ⁴⁾	310	210	42	32	M16	M12	110	80	36	28	12	10	37	45	27	35	210	130
180 ⁵⁾	360	210	48	32	M16	M12	110	80	36	28	14	10	42.5	51.5	27	35	225	145
180 ⁶⁾	360	210	48	32	M16	M12	110	80	36	28	14	10	42.5	51.5	27	35	225	145

Motor size	L	LA	LB	LC	M	N	P	S	T	UB1 ²⁾	UB2 ²⁾	VA	VB	VC	VD	VE
160 ³⁾	602.5	16	492.5	693.5	300	250	350	19	5	2*M40	M16	89	210	79.5	134.5	171.5
160 ⁴⁾	643.5	16	533.5	734.5	300	250	350	19	5	2*M40	M16	89	210	79.5	134.5	171.5
180 ⁵⁾	680	21	570	770	300	250	350	19	5	2*M40	M16	77.5	210	79.5	134.5	171.5
180 ⁶⁾	700.5	21	590.5	790	300	250	350	19	5	2*M40	M16	77.5	210	79.5	134.5	171.5

Tolerances

D, DA ISO k6
F, FA ISO h9
N ISO j6

²⁾ Knockout openings.

³⁾ M-2, MA-2, M-4, M-6, M-8, MA-8, L-2, L-4, L-6, MA-2/4, M-2/4, L-2/4, M-4/6, M-4/8, LB-2, LB-4

⁴⁾ L-8, L-4/6, L-4/8, LB-6, LB-8

⁵⁾ M-2, M-4, L-6, L-8, M-2/4, M-4/6, M-4/8, LB-2

⁶⁾ L-4, L-2/4, L-4/6, L-4/8, LB-4, LB-6, LB-8

⁷⁾ Shoulder of shaft extension and contact surface of flange are in the same plane.

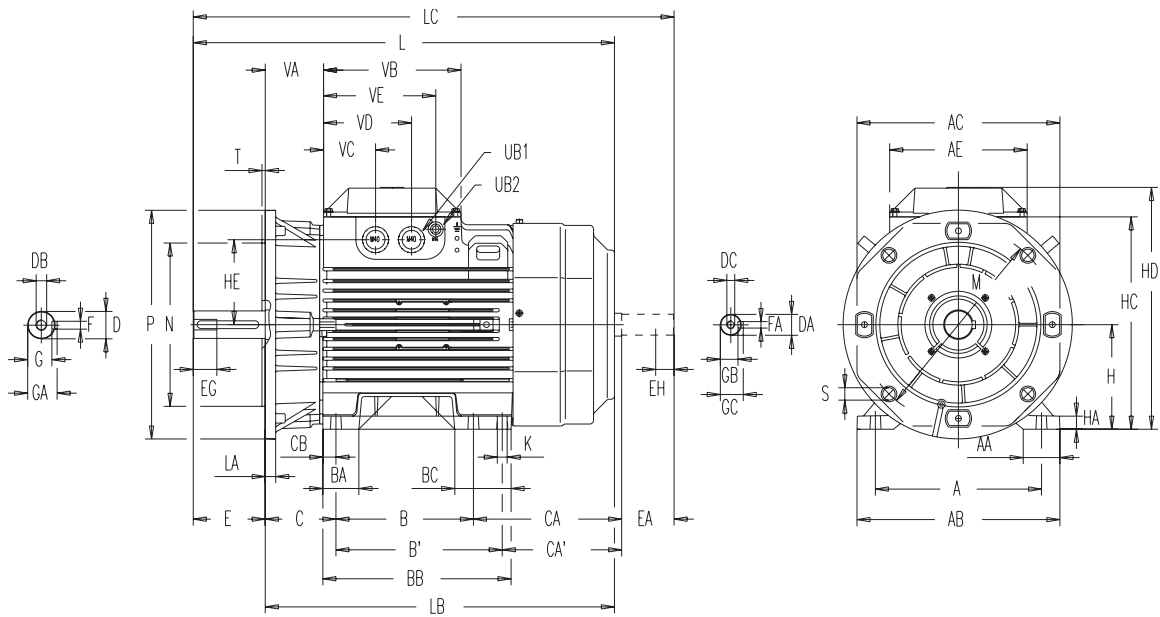
Above table gives the main dimensions in mm.
For detailed drawings please see our web-pages
'www.abb.com/motors&drives' or contact us.

General purpose aluminum motors

Dimension drawings

M3AA 160-180

Foot- and flange-mounted motor; IM B35 (IM 2001), IM 2002



M000044

2

IM B35 (IM 2001), IM 2002

Motor size	A	AA	AB	AC	AE	B ⁸⁾	B' ⁸⁾	BA	BB	BC	C	CA	CA'	CB	D	DA	DB	DC
160 ³⁾	254	56	310	310	210	210	254	55	287.5	86	108	185.5	141.5	20	42	32	M16	M12
160 ⁴⁾	254	56	310	310	210	210	254	55	287.5	86	108	226.5	182.5	20	42	32	M16	M12
180 ⁵⁾	279	65.5	340	360	210	241	279	58	316	88	121	218	180	25	48	32	M16	M12
180 ⁶⁾	279	65.5	340	360	210	241	279	58	316	88	121	238	200	25	48	32	M16	M12

Motor size	E ⁷⁾	EA	EG	EH	F	FA	G	GA	GB	GC	H	HA	HB	HC	HD	HE	K	L
160 ³⁾	110	80	36	28	12	10	37	45	27	35	160	20	210	325	370	130	15	602.5
160 ⁴⁾	110	80	36	28	12	10	37	45	27	35	160	20	210	325	370	130	15	643.5
180 ⁵⁾	110	80	36	28	14	10	42.5	51.5	27	35	180	20	225	360	405	145	15	680
180 ⁶⁾	110	80	36	28	14	10	42.5	51.5	27	35	180	20	225	360	405	145	15	700.5

Motor size	LA	LB	LC	M	N	P	S	T	UB1 ²⁾	UB2 ²⁾	VA	VB	VC	VD	VE
160 ³⁾	16	492.5	693.5	300	250	350	19	5	2*M40	M16	89	210	79.5	134.5	171.5
160 ⁴⁾	16	533.5	734.5	300	250	350	19	5	2*M40	M16	89	210	79.5	134.5	171.5
180 ⁵⁾	21	570	770	300	250	350	19	5	2*M40	M16	77.5	210	79.5	134.5	171.5
180 ⁶⁾	21	590.5	790	300	250	350	19	5	2*M40	M16	77.5	210	79.5	134.5	171.5

Tolerances

A, B ISO js14
 C, CA +0 -2
 D, DA ISO k6
 F, FA ISO h9
 H +0 -0.5
 N ISO j6

²⁾ Knockout openings.

³⁾ M-2, MA-2, M-4, M-6, M-8, MA-8, L-2, L-4, L-6, MA-2/4, M-2/4, L-2/4, M-4/6, M-4/8, LB-2, LB-4.

⁴⁾ L-8, L-4/6, L-4/8, LB-6, LB-8.

⁵⁾ M-2, M-4, L-6, L-8, M-2/4, M-4/6, M-4/8, LB-2.

⁶⁾ L-4, L-2/4, L-4/6, L-4/8, LB-4, LB-6, LB-8.

⁷⁾ Shoulder of shaft extension and contact surface of flange are in the same plan.

⁸⁾ 160 M, 180 M: B' not acc. to IEC.

160 L, 180 L: B not acc. to IEC.

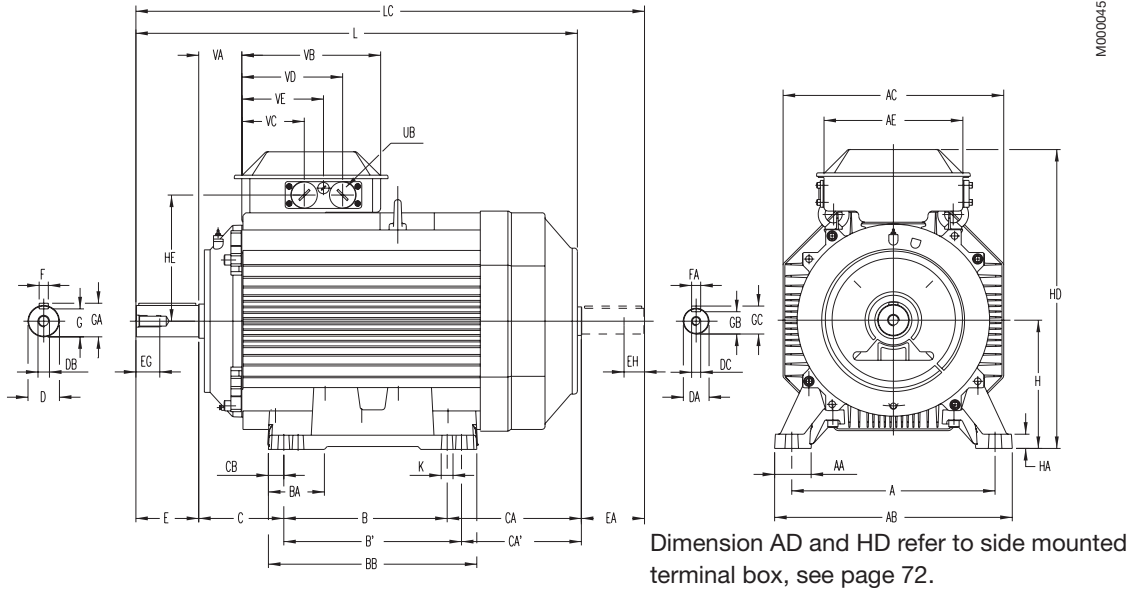
Above table gives the main dimensions in mm.
 For detailed drawings please see our web-pages
www.abb.com/motors&drives or contact us.

General purpose aluminum motors

Dimension drawings

M3AA 200-225

Foot-mounted motor; IM B3 (IM 1001), IM 1002



IM B3 (IM 1001), IM 1002

Motor size	A	AA	AB	AC	AE	B	B'	BA	BB	C	CA	CA'	CB	D	DA	DB	DC	E ^{D)}	EA	EG	EH	F	FA
200 ¹⁾	318	64	380	386	243	267	305	98	365	133	273	235	30	55	45	M20	M16	110	110	42	36	16	14
200 ²⁾	318	64	380	386	243	267	305	98	365	133	313	275	30	55	45	M20	M16	110	110	42	36	16	14
225 ³⁾	356	69	418	425	243	286	311	84	360	149	300	275	24.5	55	55	M20	M20	110	110	42	42	16	14
225 ⁴⁾	356	69	418	425	243	286	311	84	360	149	325	300	24.5	55	55	M20	M20	110	110	42	42	16	16
225 ⁵⁾	356	69	418	425	243	286	311	84	360	149	300	275	24.5	60	55	M20	M20	140	110	42	42	18	16
225 ⁶⁾	356	69	418	425	243	286	311	84	360	149	325	300	24.5	60	55	M20	M20	140	110	42	42	18	16

Motor size	G	GA	GB	GC	H	HA	HD ^{B)}	HD ^{C)}	HE	K	L	LC	UB ^{A)}	VA	VB	VC ^{B)}	VC ^{C)}	VD ^{B)}	VD ^{C)}	VE ^{B)}	VE ^{C)}
200 ¹⁾	49	59	39.5	48.5	200	25	500.5	533	224	18	774	893	2xFL13	75.5	243	109.5	81.5	176.5	171.5	143	126.5
200 ²⁾	49	59	39.5	48.5	200	25	500.5	533	224	18	814	933	2xFL13	75.5	243	109.5	81.5	176.5	171.5	143	126.5
225 ³⁾	49	59	49	59	225	25	546	578	244.5	18	836	955	2xFL13	93.5	243	109.5	81.5	176.5	171.5	143	126.5
225 ⁴⁾	49	59	49	59	225	25	546	578	244.5	18	861	980	2xFL13	93.5	243	109.5	81.5	176.5	171.5	143	126.5
225 ⁵⁾	53	64	49	59	225	25	546	578	244.5	18	866	985	2xFL13	93.5	243	109.5	81.5	176.5	171.5	143	126.5
225 ⁶⁾	53	64	49	59	225	25	546	578	244.5	18	891	1100	2xFL13	93.5	243	109.5	81.5	176.5	171.5	143	126.5

Tolerances

A, B	ISO js14
C, CA	+0 -2
D 55-65	ISO m6
DA 45-55	ISO k6
F, FA	ISO h9
H	+0 -0.5
N	ISO j6

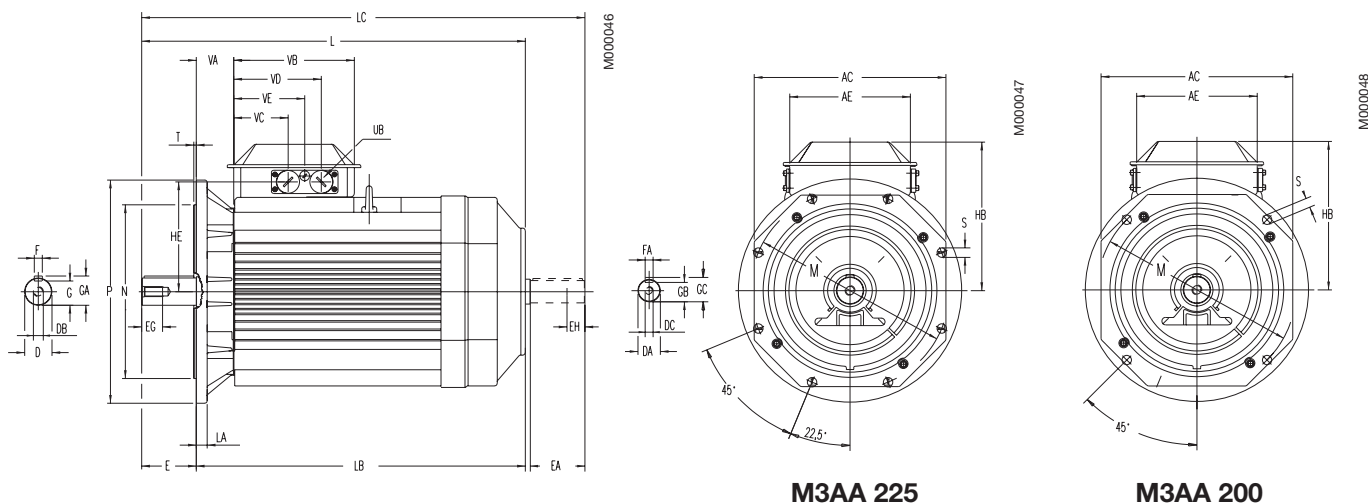
- 1) all 200 excl 2)
- 2) MLD-2, MLC-4
- 3) SMB-2, SMC-2, SM_-2/4
- 4) SMD-2,
- 5) all 225 excl 3) 4) 6)
- 6) SMD-4

- A) Flange opening is provided with pipe flange FL 13, with tapped lead-in holes plugged with sealing plugs 2 x M40 + M16. Motors for 230VD 50Hz have pipe flange FL21 and 2 x M63 + M16
- B) For flange opening FL13: 2 x M40 + M16
- C) For extra large flange opening FL21: 2 x M63 + M16
- D) For IM B5 and IM B35: Shoulder of shaft extension and contact surface of flange are in the same plane.

Above table gives the main dimensions in mm.
For detailed drawings please see our web-pages 'www.abb.com/motors&drives' or contact us.

Dimension drawings

Flange-mounted motor; IM B5 (IM 3001), IM 3002



IM B5 (IM 3001), IM 3002

Motor size	AC	AE	D	DA	DB	DC	E ¹⁾	EA	EG	EH	F	FA	G	GA	GB	GC	HB ^{B)}	HB ^{C)}	HE
200 ¹⁾	386	243	55	45	M20	M16	110	110	42	36	14	16	49	59	39.5	48.5	301	333	224
200 ²⁾	386	243	55	45	M20	M16	110	110	42	36	14	16	49	59	39.5	48.5	301	333	224
225 ³⁾	425	243	55	55	M20	M20	110	110	42	42	16	16	49	59	49	59	321	353	244.5
225 ⁴⁾	425	243	55	55	M20	M20	110	110	42	42	16	16	49	59	49	59	321	353	244.5
225 ⁵⁾	425	243	60	55	M20	M20	140	110	42	42	16	16	53	64	49	59	321	353	244.5
225 ⁶⁾	425	243	60	55	M20	M20	140	110	42	42	16	16	53	64	49	59	321	353	244.5

Motor size	L	LA	LB	LC	M	N	P	S	T	UB ^{A)}	VA	VB	VC ^{B)}	VC ^{C)}	VD ^{B)}	VD ^{C)}	VE ^{B)}	VE ^{C)}
200 ¹⁾	774	20	664	893	350	300	400	19	5	2xFL13	75.5	243	109.5	81.5	176.5	171.5	143	126.5
200 ²⁾	814	20	704	933	350	300	400	19	5	2xFL13	75.5	243	109.5	81.5	176.5	171.5	143	126.5
225 ³⁾	836	22	726	955	400	350	450	19	5	2xFL13	93.5	243	109.5	81.5	176.5	171.5	143	126.5
225 ⁴⁾	861	22	751	980	400	350	450	19	5	2xFL13	93.5	243	109.5	81.5	176.5	171.5	143	126.5
225 ⁵⁾	866	22	726	985	400	350	450	19	5	2xFL13	93.5	243	109.5	81.5	176.5	171.5	143	126.5
225 ⁶⁾	891	22	751	1100	400	350	450	19	5	2xFL13	93.5	243	109.5	81.5	176.5	171.5	143	126.5

Tolerances

A, B	ISO js14
C, CA	+0 -2
D 55-65	ISO m6
DA 45-55	ISO k6
F, FA	ISO h9
H	+0 -0.5
N	ISO j6

- ¹⁾ all 200 excl ²⁾
- ²⁾ MLD-2, MLC-4
- ³⁾ SMB-2, SMC-2, SM_-2/4
- ⁴⁾ SMD-2,
- ⁵⁾ all 225 excl ³⁾ ⁴⁾ ⁶⁾
- ⁶⁾ SMD-4

- ^{A)} Flange opening is provided with pipe flange FL 13, with tapped lead-in holes plugged with sealing plugs 2 x M40 + M16. Motors for 230VD 50Hz have pipe flange FL21 and 2 x M63 + M16
- ^{B)} For flange opening FL13: 2 x M40 + M16
- ^{C)} For extra large flange opening FL21: 2 x M63 + M16
- ^{D)} For IM B5 and IM B35: Shoulder of shaft extension and contact surface of flange are in the same plane.

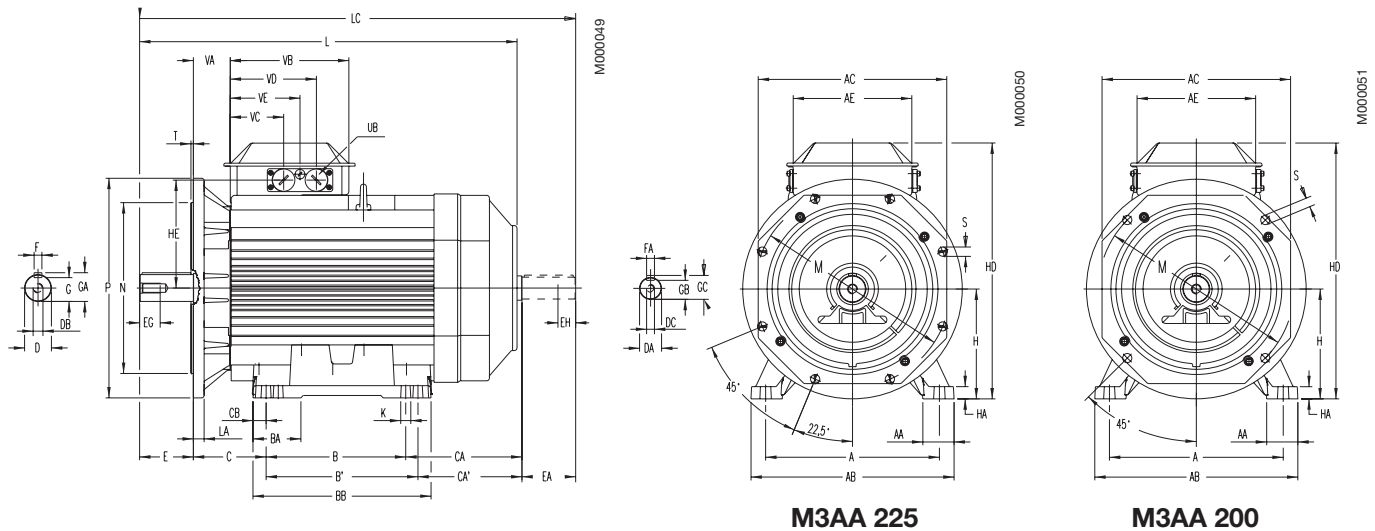
Above table gives the main dimensions in mm.
For detailed drawings please see our web-pages
'www.abb.com/motors&drives' or contact us.

General purpose aluminum motors

Dimension drawings

M3AA 200-225

Foot- and flange-mounted motor; IM B35 (IM 2001), IM 2002



IM B35 (IM 2001), IM 2002

Motor size	A	AA	AB	AC	AE	B	B'	BA	BB	C	CA	CA'	CB	D	DA	DB	DC	E ^{D)}	EA	EG	EH	F	FA	G	GA	GB	GC
200 ¹⁾	318	64	380	386	243	267	305	98	365	133	273	235	30	55	45	M20	M16	110	110	42	36	16	14	49	59	39.5	48.5
200 ²⁾	318	64	380	386	243	267	305	98	365	133	313	275	30	55	45	M20	M16	110	110	42	36	16	14	49	59	39.5	48.5
225 ³⁾	356	69	418	425	243	286	311	84	360	149	300	275	25	55	55	M20	M20	110	110	42	42	16	16	49	59	49	59
225 ⁴⁾	356	69	418	425	243	286	311	84	360	149	325	300	25	55	55	M20	M20	110	110	42	42	16	16	49	59	49	59
225 ⁵⁾	356	69	418	425	243	286	311	84	360	149	300	275	25	60	55	M20	M20	140	110	42	42	18	16	53	64	49	59
225 ⁶⁾	356	69	418	425	243	286	311	84	360	149	325	300	25	60	55	M20	M20	140	110	42	42	18	16	53	64	49	59

Motor size	H	HA	HB ^{B)}	HB ^{C)}	HD ^{B)}	HD ^{C)}	HE	K	L	LA	LB	LC	M	N	P	S	T	UB ^{A)}	VA	VB	VC ^{B)}	VC ^{C)}	VD ^{B)}	VD ^{C)}	VE ^{B)}	VE ^{C)}
200 ¹⁾	200	25	301	333	501	533	224	18	774	20	664	893	350	300	400	19	5	2xFL13	75.5	243	110	81.5	176.5	171.5	143	126.5
200 ²⁾	200	25	301	333	501	533	224	18	814	20	704	933	350	300	400	19	5	2xFL13	75.5	243	110	81.5	176.5	171.5	143	126.5
225 ³⁾	225	25	321	353	546	578	245	18	836	22	726	955	400	350	450	19	5	2xFL13	93.5	243	110	81.5	176.5	171.5	143	126.5
225 ⁴⁾	225	25	321	353	546	578	245	18	861	22	751	980	400	350	450	19	5	2xFL13	93.5	243	110	81.5	176.5	171.5	143	126.5
225 ⁵⁾	225	25	321	353	546	578	245	18	866	22	726	985	400	350	450	19	5	2xFL13	93.5	243	110	81.5	176.5	171.5	143	126.5
225 ⁶⁾	225	25	321	353	546	578	245	18	891	22	751	1100	400	350	450	19	5	2xFL13	93.5	243	110	81.5	176.5	171.5	143	126.5

Tolerances

A, B	ISO js14
C, CA	+0 -2
D 55-65	ISO m6
DA 45-55	ISO k6
F, FA	ISO h9
H	+0 -0.5
N	ISO j6

¹⁾ all 200 excl ²⁾

²⁾ MLD-2, MLC-4

³⁾ SMB-2, SMC-2, SM_-2/4

⁴⁾ SMD-2

⁵⁾ all 225 excl ³⁾ ⁴⁾ ⁶⁾

⁶⁾ SMD-4

^{A)} Flange opening is provided with pipe flange FL 13, with tapped lead-in holes plugged with sealing plugs 2 x M40 + M16.

Motors for 230VD 50Hz have pipe flange FL21 and 2 x M63 + M16

^{B)} For flange opening FL13: 2 x M40 + M16

^{C)} For extra large flange opening FL21: 2 x M63 + M16

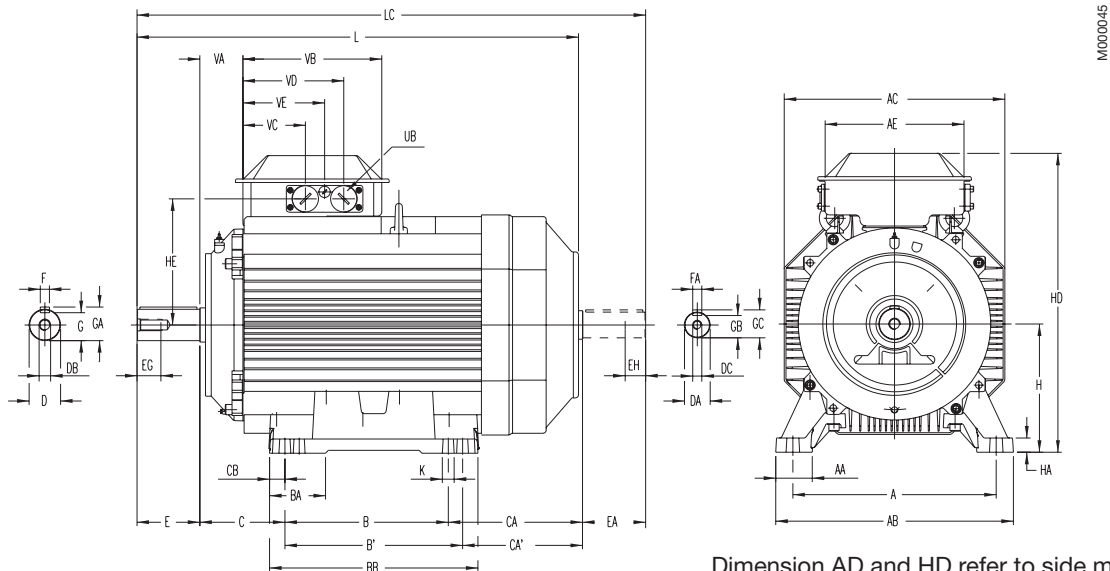
^{D)} For IM B5 and IM B35: Shoulder of shaft extension and contact surface of flange are in the same plane.

Above table gives the main dimensions in mm.

For detailed drawings please see our web-pages
'www.abb.com/motors&drives' or contact us.

Dimension drawings

Foot-mounted motor; IM B3 (IM 1001), IM 1002



Dimension AD and HD refer to side mounted terminal box, see page 72.

IM B3 (IM 1001), IM 1002

Motor size	A	AA	AB	AC	AE	B	B'	BA	BB	C	CA	CA'	CB	D	DA	DB	DC	E ¹⁾	EA	EG	EH	F	FA
250 ¹⁾	406	78	474	471	243	311	349	94.5	409	168	263	225	40	60	55	M20	M20	140	110	42	42	18	16
250 ²⁾	406	78	474	471	243	311	349	94.5	409	168	288	250	40	60	55	M20	M20	140	110	42	42	18	16
250 ³⁾	406	78	474	471	243	311	349	94.5	409	168	263	225	30	65	55	M20	M20	140	110	42	42	18	16
250 ⁴⁾	406	78	474	471	243	311	349	94.5	409	168	263	225	30	65	55	M20	M20	140	110	42	42	18	16
280 ⁵⁾	457	102.5	525	471	243	368	419	90.5	489	190	184	133	37.5	65	55	M20	M20	140	110	42	42	18	16
280 ⁶⁾	457	102.5	525	471	243	368	419	90.5	489	190	209	158	37.5	65	55	M20	M20	140	110	42	42	18	16
280 ⁷⁾	457	102.5	525	471	243	368	419	90.5	489	190	184	133	37.5	75	55	M20	M20	140	110	42	42	20	16
280 ⁸⁾	457	102.5	525	471	243	368	419	90.5	489	190	209	160	37.5	75	55	M20	M20	140	110	42	42	20	16

Motor size	G	GA	GB	GC	H	HA	HD ⁵⁾	HD ⁶⁾	HE	K	L	LC	UB ^{A)}	VA	VB	VC ^{B)}	VC ^{C)}	VD ^{B)}	VD ^{C)}	VE ^{B)}	VE ^{C)}
250 ¹⁾	53	64	49	59	250	40	594	626	267.5	22	875	992	2xFL13	93.5	243	109.5	81.5	176.5	171.5	143	126.5
250 ²⁾	53	64	49	59	250	40	594	626	267.5	22	900	1017	2xFL13	93.5	243	109.5	81.5	176.5	171.5	143	126.5
250 ³⁾	58	69	49	59	250	30	594	626	267.5	22	875	992	2xFL13	93.5	243	109.5	81.5	176.5	171.5	143	126.5
250 ⁴⁾	58	69	49	59	250	30	594	626	267.5	22	900	1017	2xFL13	93.5	243	109.5	81.5	176.5	171.5	143	126.5
280 ⁵⁾	58	69	49	59	280	40	-	656	283.5	24	875	992	2xFL21	93.5	243	-	76.5	-	166.5	-	121.5
280 ⁶⁾	58	69	49	59	280	40	-	656	283.5	24	900	1017	2xFL21	93.5	243	-	76.5	-	166.5	-	121.5
280 ⁷⁾	67.5	79.5	49	59	280	40	-	656	283.5	24	875	992	2xFL21	93.5	243	-	76.5	-	166.5	-	121.5
280 ⁸⁾	67.5	79.5	49	59	280	40	-	656	283.5	24	900	1017	2xFL21	93.5	243	-	76.5	-	166.5	-	121.5

Tolerances

A,B	ISO js14
C, CA	+0 -2
D 55-65	ISO m6
DA 45-55	ISO k6
F, FA	ISO h9
H	+0 -0.5
N	ISO j6

- 1) SMA-2, SMB-2, SMB2/4
- 2) SMC-2
- 3) all 250 excl^{1) 2) 4)}
- 4) SMC-4
- 5) SMA-2
- 6) SMB-2
- 7) SMA-4-8
- 8) SMB-4

- A) Flange opening is provided with pipe flange FL 13, with tapped lead-in holes provided with sealing plugs 2 x M40 + M16. Motors for 230VD 50Hz have pipe flange FL21 and 2 x M63 + M16
- B) For flange opening FL13: 2 x M40 + M16
- C) For extra large flange opening FL21: 2 x M63 + M16
- D) For IM B5 and IM B35: Shoulder of shaft extension and contact surface of flange are in the same plane.

Above table gives the main dimensions in mm.

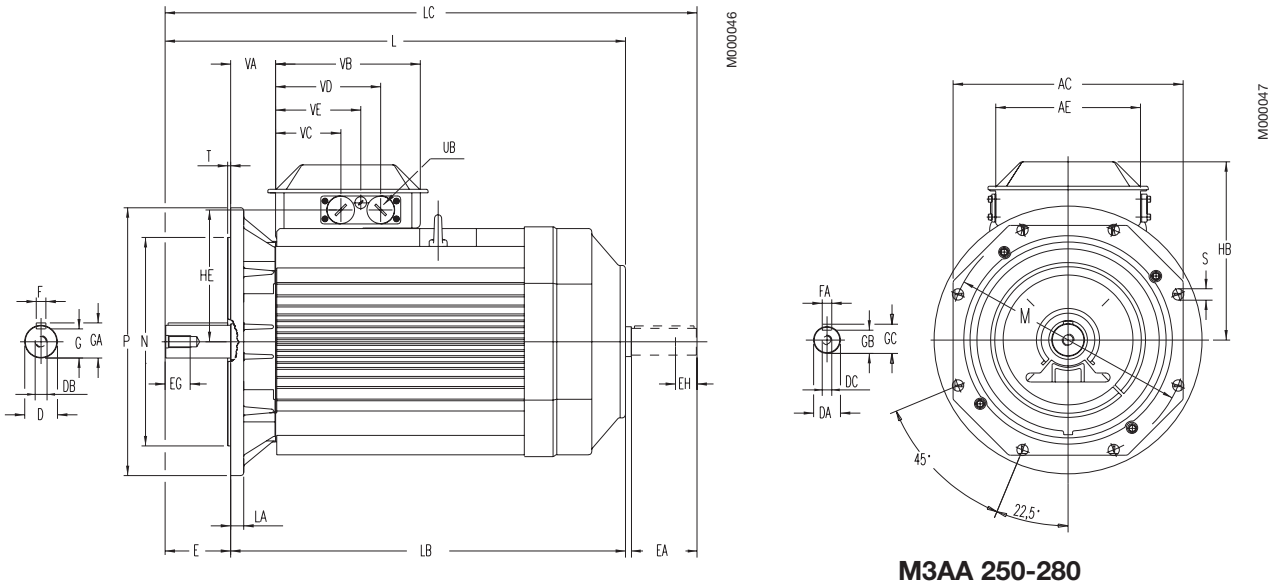
For detailed drawings please see our web-pages 'www.abb.com/motors&drives' or contact us.

General purpose aluminum motors

Dimension drawings

M3AA 250-280

Flange-mounted motor; IM B5 (IM 3001), IM 3002



IM B5 (IM 3001), IM 3002

Motor size	AC	AE	D	DA	DB	DC	E ^{D)}	EA	EG	EH	F	FA	G	GA	GB	GC	HB ^{B)}	HB ^{C)}	HE
250 ⁷⁾	471	243	60	55	M20	M20	140	110	42	42	18	16	53	64	49	59	344	376	267.5
250 ⁸⁾	471	243	60	55	M20	M20	140	110	42	42	18	16	53	64	49	59	344	376	267.5
250 ⁹⁾	471	243	65	55	M20	M20	140	110	42	42	18	16	58	69	49	59	344	376	267.5
250 ¹⁰⁾	471	243	65	55	M20	M20	140	110	42	42	18	16	58	69	49	59	344	376	267.5
280 ¹¹⁾	471	243	65	55	M20	M20	140	110	42	42	18	16	58	69	49	59	-	376	283.5
280 ¹²⁾	471	243	65	55	M20	M20	140	110	42	42	18	16	58	69	49	59	-	376	283.5
280 ¹³⁾	471	243	75	55	M20	M20	140	110	42	42	20	16	67.5	79.5	49	59	-	376	283.5
280 ¹⁴⁾	471	243	75	55	M20	M20	140	110	42	42	20	16	67.5	79.5	49	59	-	376	283.5

Motor size	L	LA	LB	LC	M	N	P	S	T	UB ^{A)}	VA	VB	VC ^{B)}	VC ^{C)}	VD ^{B)}	VD ^{C)}	VE ^{B)}	VE ^{C)}
250 ¹⁾	875	25	735	992	500	450	550	19	5	2xFL13	93.5	243	109.5	81.5	176.5	171.5	143	126.5
250 ²⁾	900	25	760	1017	500	450	550	19	5	2xFL13	93.5	243	109.5	81.5	176.5	171.5	143	126.5
250 ³⁾	875	25	735	992	500	450	550	19	5	2xFL13	93.5	243	109.5	81.5	176.5	171.5	143	126.5
250 ⁴⁾	900	25	760	1017	500	450	550	19	5	2xFL13	93.5	243	109.5	81.5	176.5	171.5	143	126.5
280 ⁵⁾	875	25	735	992	500	450	550	19	5	2xFL21	93.5	243	-	76.5	-	166.5	-	121.5
280 ⁶⁾	900	25	760	1017	500	450	550	19	5	2xFL21	93.5	243	-	76.5	-	166.5	-	121.5
280 ⁷⁾	875	25	735	992	500	450	550	19	5	2xFL21	93.5	243	-	76.5	-	166.5	-	121.5
280 ⁸⁾	900	25	760	1017	500	450	550	19	5	2xFL21	93.5	243	-	76.5	-	166.5	-	121.5

Tolerances

A, B	ISO js14
C, CA	+0 -2
D 55-65	ISO m6
DA 45-55	ISO k6
F, FA	ISO h9
H	+0 -0.5
N	ISO j6

- 1) SMA-2, SMB-2, SMB2/4
- 2) SMC-2
- 3) all 250 excl 1) 2) 4)
- 4) SMC-4
- 5) SMA-2
- 6) SMB-2
- 7) SMA-4-8
- 8) SMB-4

- A) Flange opening is provided with pipe flange FL 13, with tapped lead-in holes plugged with sealing plugs 2 x M40 + M16. Motors for 230VD 50Hz have pipe flange FL21 and 2 x M63 + M16
- B) For flange opening FL13: 2 x M40 + M16
- C) For extra large flange opening FL21: 2 x M63 + M16
- D) For IM B5 and IM B35: Shoulder of shaft extension and contact surface of flange are in the same plane.

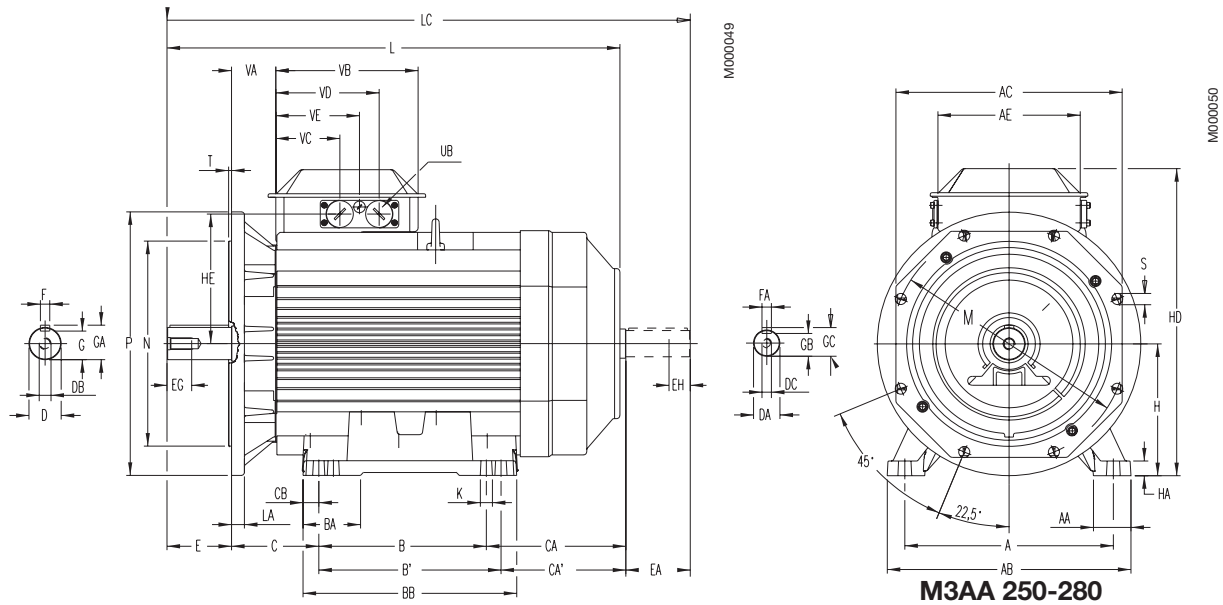
Above table gives the main dimensions in mm.
For detailed drawings please see our web-pages
'www.abb.com/motors&drives' or contact us.

General purpose aluminum motors

Dimension drawings

M3AA 250-280

Foot- and flange-mounted motor; IM B35 (IM 2001), IM 2002



IM B35 (IM 2001), IM 2002

Motor size	A	AA	AB	AC	AE	B	B'	BA	BB	C	CA	CA'	CB	D	DA	DB	DC	E ^{D)}	EA	EG	EH	F	FA	G	GA	GB	GC
250 ¹⁾	406	78	474	471	243	311	349	94.5	409	168	263	225	40	60	55	M20	M20	140	110	42	42	18	16	53	64	49	59
250 ²⁾	406	78	474	471	243	311	349	94.5	409	168	288	250	40	60	55	M20	M20	140	110	42	42	18	16	53	64	49	59
250 ³⁾	406	78	474	471	243	311	349	94.5	409	168	263	225	30	65	55	M20	M20	140	110	42	42	18	16	58	69	49	59
250 ⁴⁾	406	78	474	471	243	311	349	94.5	409	168	263	225	30	65	55	M20	M20	140	110	42	42	18	16	58	69	49	59
280 ⁵⁾	457	103	525	471	243	368	419	90.5	489	190	184	133	38	65	55	M20	M20	140	110	42	42	18	16	58	69	49	59
280 ⁶⁾	457	103	525	471	243	368	419	90.5	489	190	209	158	38	65	55	M20	M20	140	110	42	42	18	16	58	69	49	59
280 ⁷⁾	457	103	525	471	243	368	419	90.5	489	190	184	133	38	75	55	M20	M20	140	110	42	42	20	16	68	80	49	59
280 ⁸⁾	457	103	525	471	243	368	419	90.5	489	190	209	160	38	75	55	M20	M20	140	110	42	42	20	16	68	80	49	59

Motor size	H	HA	HB ^{B)}	HB ^{C)}	HD ^{B)}	HD ^{C)}	HE	K	L	LA	LB	LC	M	N	P	S	T	UB ^{A)}	VA	VB	VC ^{B)}	VC ^{C)}	VD ^{B)}	VD ^{C)}	VE ^{B)}	VE ^{C)}
250 ¹⁾	250	40	344	376	594	626	268	22	875	25	735	992	500	450	550	19	5	2xFL13	93.5	243	110	81.5	176.5	171.5	143	126.5
250 ²⁾	250	40	344	376	594	626	268	22	900	25	760	1017	500	450	550	19	5	2xFL13	93.5	243	110	81.5	176.5	171.5	143	126.5
250 ³⁾	250	30	344	376	594	626	268	22	875	25	735	992	500	450	550	19	5	2xFL13	93.5	243	110	81.5	176.5	171.5	143	126.5
250 ⁴⁾	250	30	344	376	594	626	268	22	900	25	760	1017	500	450	550	19	5	2xFL13	93.5	243	110	81.5	176.5	171.5	143	126.5
280 ⁵⁾	280	40	-	376	-	656	284	24	875	25	735	992	500	450	550	19	5	2xFL21	93.5	243	-	76.5	-	166.5	-	121.5
280 ⁶⁾	280	40	-	376	-	656	284	24	900	25	760	1017	500	450	550	19	5	2xFL21	93.5	243	-	76.5	-	166.5	-	121.5
280 ⁷⁾	280	40	-	376	-	656	284	24	875	25	735	992	500	450	550	19	5	2xFL21	93.5	243	-	76.5	-	166.5	-	121.5
280 ⁸⁾	280	40	-	376	-	656	284	24	900	25	760	1017	500	450	550	19	5	2xFL21	93.5	243	-	76.5	-	166.5	-	121.5

Tolerances

A, B	ISO js14
C, CA	+0 -2
D 55-65	ISO m6
DA 45-55	ISO k6
F, FA	ISO h9
H	+0 -0.5
N	ISO js6

- 1) SMA-2, SMB-2, SMB24
- 2) SMC-2
- 3) all 250 excl 1) 2) 4)
- 4) SMC-4
- 5) SMA-2
- 6) SMB-2
- 7) SMA-4-8
- 8) SMB-4

- A) Flange opening is provided with pipe flange FL 13, with tapped lead-in holes plugged with sealing plugs 2 x M40 + M16. Motors for 230V 50Hz have pipe flange FL21 and 2 x M63 + M16
- B) For flange opening FL13: 2 x M40 + M16
- C) For extra large flange opening FL21: 2 x M63 + M16
- D) For IM B5 and IM B35: Shoulder of shaft extension and contact surface of flange are in the same plane.

Above table gives the main dimensions in mm.

For detailed drawings please see our web-pages 'www.abb.com/motors&drives' or contact us.

Dimensions for terminal box

Code 019 Larger than standard terminal box

Motor size	Dimensions			
	AD	HB	HD	HE
M2AA 225 S/M	-	332.5	557	240
M2AA 250 M	-	353	578	260.5
M3AA 200 ML.	332.5	332.5	603	240
M3AA 225 SM.	353	353	578	260.5
M3AA 250 SM.	376	376	626	283.5

Code 021 Terminal box on left-hand side seen from D end

Code 180 Terminal box on right-hand side seen from D end

Motor size	Dimensions	
	AD	HD
M2AA 225 - 250	On request	
M3AA 200 ML.	300.5	412.5
M3AA 225 SM.	321	452
M3AA 250 SM.	344	494
M3AA 280	376	524

Code 467 M2AA 160-250 on request.

Lower than standard terminal box without screw terminals and extended rubber connection cable 2 m.

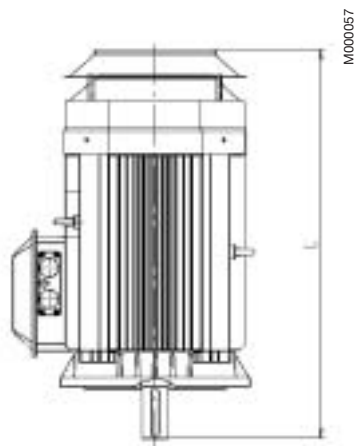
Motor size	Dimensions		
	AD	HB	HD
112 M		123.5	235.5
132 S		141	273
132 M		141	273
160		211.5	371.5
180		226.5	406.5
200 ML.	248	248	448
225 SM.	269	269	494
250 SM.	292	292	542
280	292	292	572

2

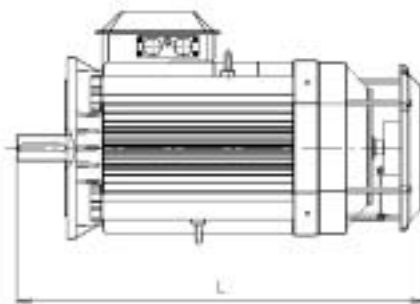
Accessories

Protective roof and variable speed drives

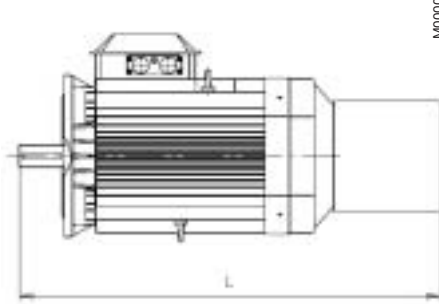
Protective roof
Variant code 005



Tacho
Variant codes; 472, 473, 572 and 573



Separate cooling with or without tacho
Variant codes; 183, 474, 476, 477, 189, 574, 576 and 577



2

Variant codes	005	183	189	472, 473 572, 573	474, 476 477, 574 576, 577
Motor size	L	L	L	L	L
56	216	-	-	-	-
63	224	-	275	-	-
71	261	352	287	304	352
80	288	373	313	326	373
90 S	318	1)	1)	1)	1)
90 L	343	1)	1)	1)	1)
100 L	385	1)	1)	1)	1)

1) On request.

Variant codes; M2AA	Pole	005	183	189	472, 473 572, 573	474, 476 477, 574 576, 577
Motor size		L	L	L	L	L
112	2-4	400	-	493.5	458.5	543.5
132	2-4	484	-	580.5	542	630.5
160 ¹⁾	2-4	653.5	1015.5	870.5	697	1015.5
180 ²⁾	2-4	653.5	1015.5	870.5	697	1015.5
180 ³⁾	4	694.5	1056.5	911.5	738	1056.5
200 ⁴⁾	4	762.5	1128.5	983.5	806	1128.5
200 ⁵⁾	2-4	783	1149	1004	826.5	1149
225 M	2	824	1233	1088	867	1233
225 S	4	854	1263	1118	897	1263
225 M	4	894	1303	1158	937	1303
250 M	2-4	915	1325	1180	960	1325

1) MA-2, M-2, L-2, M-4, L-4

2) M-2, M-4

3) L-4

4) LA-4

5) L-2, L-4

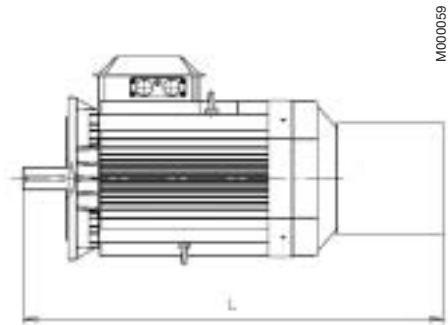
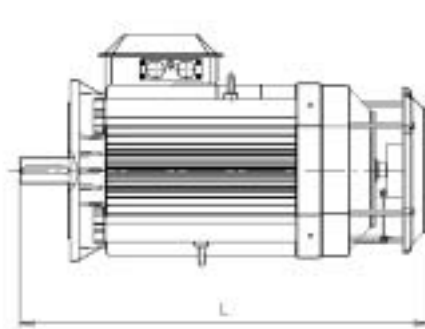
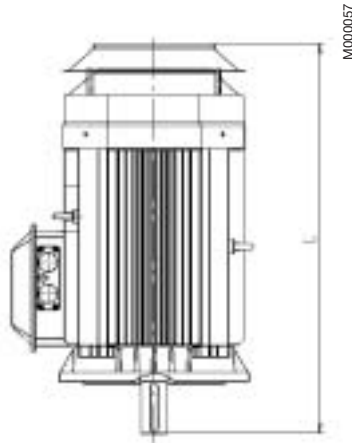
Accessories

Protective roof and variable speed drives

Protective roof
Variant code 005

Tacho
Variant codes; 472, 473, 572 and 573

Separate cooling with or without tacho
Variant codes; 183, 474, 476, 477, 189, 574, 576 and 577



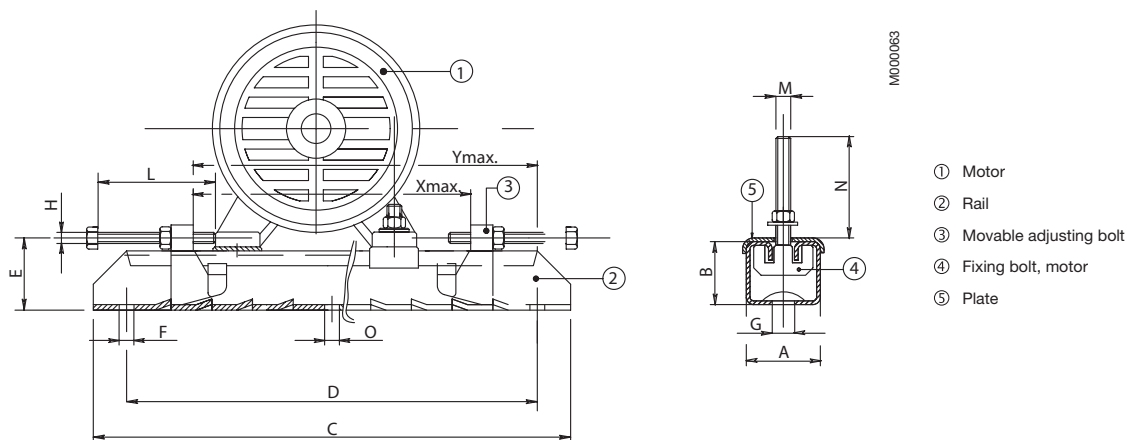
Variant codes; M3AA	005	183	189	472, 473 572, 573	474, 476 477, 574 576, 577
Motor size	L	L	L	L	L
112 ¹⁾	400	-	493.5	458.5	543.5
112 ²⁾	428	-	538	487	588
132 ³⁾	484	-	580.5	542	630.5
132 ⁴⁾	522	-	640	580	690
160 ⁵⁾	653.5	1015.5	870.5	697	1015.5
160 ⁶⁾	694.5	1056.5	911.5	738	1056.5
180 ⁷⁾	731	1097	952	774	1097
180 ⁸⁾	751.5	1117.5	972.5	795	1117.5
200 ⁹⁾	825	1234	1089	868	1234
200 ¹⁰⁾	865	1274	1129	908	1274
225 ¹¹⁾	885	1295	1150	930	1295
225 ¹²⁾	910	1320	1175	955	1320
225 ¹³⁾	915	1325	1180	960	1325
225 ¹⁴⁾	940	1350	1205	985	1350
250 ¹⁵⁾	922	1346	1201	969	1346
250 ¹⁶⁾	947	1371	1226	994	1371
280 ¹⁷⁾	922	1346	1201	969	1346
280 ¹⁸⁾	947	1371	1226	994	1371

1) M-6, M-8,
all 112 excl¹⁾
2) SA-2, S-4, S-6, MA-6, MB-6, S-8,
M-8, S-Two-speed
all 132 excl³⁾
3) M-2, MA-2, M-4, M-6, M-8, MA-8,
L-2, L-4, L-6, MA-2/4, M-2/4, L-2/4,
M-4/6, M-4/8, LB-2, LB-4
4) L-8, L-4/6, L-4/8, LB-6, LB-8.
5) M-2, M-4, L-6, L-8, M-2/4, M-4/6,
M-4/8, LB-2

6) L-2/4, L-4/6, L-4/8, L-4, LB-4, LB-6, LB-8.
7) all 200 excl¹⁰⁾
8) MLD-2, MLC-4
9) SMB-2, SMC-2, SM_-2/4
10) SMD-2,
all 225 excl^{11) 12) 14)}
11) SMD-4
12) all 250 excl¹⁶⁾
13) SMC-2, SMC-4
14) all 280 excl¹⁸⁾
15) SMB-2, SMB-4

Accessories

Slide rails for motor sizes 112-280



Motorsize	Type	Product code															weight
		3GZV103001-	A	B	C	D	E	F	G	H	L	M	N	O	Xmax	Ymax	
112-132	TT132/10	-12	65	40	530	480	52	17	26	M12	120	M10	45	-	360	420	7.8
160-180	TT180/12	-14	75	42	700	630	57	17	26	M12	120	M12	50	-	520	580	12.0
200-225	TT225/16	-15	82	50	864	800	68	17	27	M16	140	M16	65	17	670	740	20.4
250-280	TT280/20	-16	116	70	1072	1000	90	20	27	M18	150	M20	80	20	870	940	43.0

Each set includes two complete slide rails including screw for mounting the motor on the rails. Screws for mounting the rails on the foundation are not included. Slide rails are supplied with unmachined lower surfaces and should, prior to tightening down, be supported in a suitable manner.

General purpose aluminum motors in brief, basic design

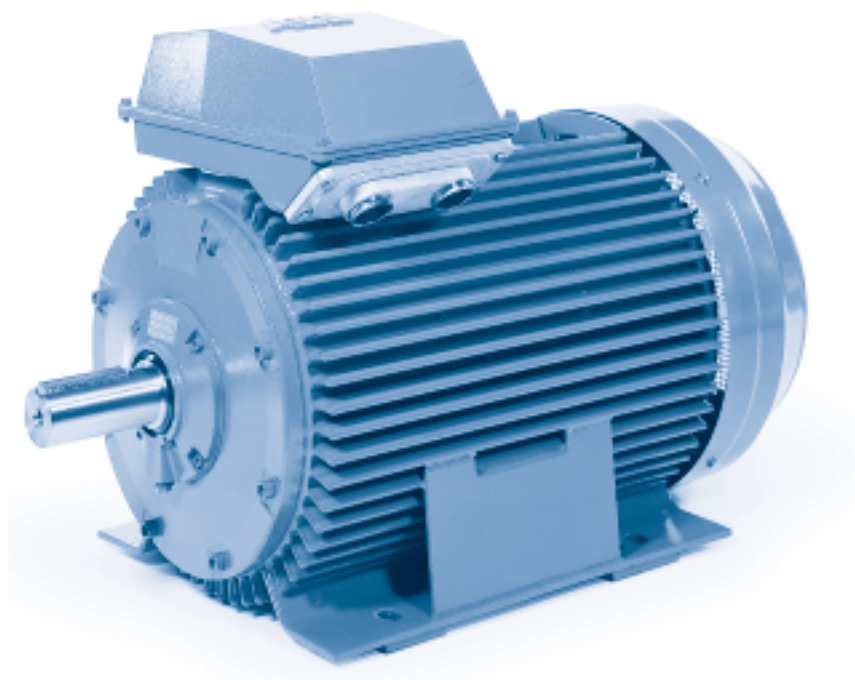
Size		56	63	71	80	90	100	
Stator and feet	Material Paint colour shade Paint	Diecast aluminum alloy. Loose feet in sizes 71-100; feet integrated with stator in sizes 56-63. Munsell blue 8B 4.5/3.25 / NCS 4822 B05G / RAL 5014 Epoxy polyester powder paint , ≥ 30µm						Polyester powder paint, ≥ 30µm
Bearing end shields	Material Paint colour shade Paint	Diecast aluminum alloy Munsell blue 8B 4.5/3.25 / NCS 4822 B05G Epoxy polyester powder paint , ≥ 30µm						Polyester powder paint, ≥ 30µm
Bearings Single-speed motor	D-end N-end	6201-2Z/C3 6201-2Z/C3	6202-2Z/C3 6201-2Z/C3	6203-2Z/C3 6202-2Z/C3	6204-2Z/C3 6203-2Z/C3	6205-2Z/C3 6204-2Z/C3	6306-2Z/C3 6205-2Z/C3	
Bearings Two-speed motor	D-end N-end	6201-2Z/C3 6201-2Z/C3	6202-2Z/C3 6201-2Z/C3	6203-2Z/C3 6202-2Z/C3	6204-2Z/C3 6203-2Z/C3	6205-2Z/C3 6204-2Z/C3	6306-2Z/C3 6205-2Z/C3	
Axially-locked bearings	Inner bearing cover	Spring washer at the N-end.					D-end	
Bearing seals	D-end N-end	V-ring Labyrinth seal.						
Lubrication		Permanently lubricated bearings. Grease for bearing temperatures -30 to +110°C for sizes 56-80, -40 to +160°C for sizes 90-100.						
Terminal box	Material Surface treatment Screws	Diecast aluminum alloy. Similar to stator. Steel 5G. Chromated.						
Connections	Knock-out openings Max Cu-area mm ² Terminal box	1 x M16 x Pg11 2.5 Screw terminal, 6 terminals		2 x M20, 2 x Pg16 4		2 x (M20 + M25) 6		
Fan	Material	Polypropylene. Reinforced with 20% glass fibre.						
Fan cover	Material	Steel.						
Stator winding	Material Impregnation Insulation class	Copper. Polyester varnish. Tropicalised. Insulation class F. Temperature rise class B, unless otherwise stated.						
Stator winding temperature sensors		Optional.						
Rotor winding	Material	Diecast aluminum.						
Balancing method		Half key balancing.						
Key ways		Closed keyway						
Heating elements	On request	8 W			25 W			
Enclosure		IP 55.						
Cooling method		IC 411.						
Drain holes		Standard.						

Size	M2AA	112	132	160	180	200	225	250	
Stator	Material Paint colour shade Paint	Diecast aluminum alloy. Loose feet in size 112, generation code E. Munsell blue 8B 4.5/3.25 / NCS 4822 B05G / RAL 5014 Polyester powderpaint, $\geq 50\mu\text{m}$					Extruded aluminum alloy.		
Feet	Material	Aluminum alloy, integrated with stator.			Cast iron bolted to the stator.				
Bearing end shields	Material Paint colour shade Paint	Diecast aluminum alloy Munsell blue 8B 4.5/3.25 / NCS 4822 B05G Polyester powderpaint, $\geq 50\mu\text{m}$			Flanged bearing end shields cast iron, others diecast Aluminum. 280 N-end shields cast iron in 2-pole motors.				
Bearings Single-speed motor	D-end N-end	6206-2Z/C3 ¹⁾ 6205-2Z/C3	6208-2Z/C3 6206-2Z/C3	6309-2Z/C3 6209-2Z/C3	6310-2Z/C3 6209-2Z/C3	6312/C3 6209-2Z/C3	6313/C3 6210/C3	6315/C3 6212/C3	
Bearings Two-speed motor	D-end N-end	NA NA							
Axially-locked bearings	Inner bearing cover	D-end ¹⁾ ¹⁾ Foot motor. A spring washer at the N-end presses the motor towards the D-end.		D-end					
Bearing seals	D-end N-end	V-ring Labyrinth seal.					Outer and inner V-rings. Outer and inner V-rings.		
Lubrication		Permanently lubricated shielded bearings. Grease temperature range -40 to +160°C.					Valve lubrication. Grease temp. range -40 to 150°C.		
Terminal box	Material Surface treatment Screws	Diecast aluminum alloy, base integrated with stator. Similar to stator. Steel 5G. Galvanised.					Deep-drawn steel sheet, bolted to stator. Phosphated. Polyester paint.		
Connections	Knock-out openings Flange-openings	2 x (M25 + M20)		2 x (2 x M40 + M16)			2 x FL13, 2 x M40 2 x FL 21, 2 x M63 (voltage code S)		
Terminal box	Screws Max Cu-area mm ²	M5 10 Cable lugs, 6 terminals		M6 35			M10 70		
Fan	Material	Polypropylene. Reinforced with 20% glass fibre.							
Fan cover	Material Surface treatment	Polypropylene.			Steel sheet. Also two-speed sizes 112 and 132 M. Phosphated. Polyester paint.				
Stator winding	Material Impregnation Insulation class	Copper. Polyester varnish. Tropicalised. Insulation class F. Temperature rise class B, unless otherwise stated.							
Stator winding temperature sensors		Optional.					PTC thermistors, 150°C, 3 in series.		
Rotor winding	Material	Diecast aluminum.							
Balancing method		Half key balancing.							
Key ways		Closed keyway							
Heating elements	On request	25 W			50 W				
Enclosure		IP 55.							
Cooling method		IC 411.							
Drain holes		Drain holes with closable plastic plugs, open on delivery.							

Size	M3AA	112	132	160	180	200	225	250	280	
Stator	Material Paint colour shade Paint	Diecast aluminum alloy. Loose feet in size 112, generation code E. Munsell blue 8B 4.5/3.25 / NCS 4822 B05G / RAL 5014 Polyester powderpaint, ≥ 50µm				Extruded aluminum alloy.				
Feet	Material	Aluminum alloy, integrated with stator.				Aluminum ¹⁾ alloy, bolted to the stator. ¹⁾ 250-2, cast iron			Cast iron	
Bearing end shields	Material Paint colour shade Paint	Diecast aluminum alloy Munsell blue 8B 4.5/3.25 / NCS 4822 B05G Polyester powderpaint, ≥ 50µm			Flanged bearing end shields cast iron, others diecast aluminum.				Cast iron	
Bearings Single-speed motor	D-end N-end ²⁾ N-end ³⁾	6206-2Z/C3 ⁴⁾ 6205-2Z/C3 6206-2Z/C3	6208-2Z/C3 6206-2Z/C3 6208-2Z/C3	6309-2Z/C3 6209-2Z/C3	6310-2Z/C3 6209-2Z/C3	6312/C3 6210/C3	6313/C3 6212/C3	6315/C3 6213/C3	6316/C3 ¹⁾ 6213/C3	
		¹⁾ 6315/C3 for 2-pole motors ²⁾ M3AA 112: M-6, M-8, generation code E, M3AA 132: SA-2, S-4, S-6, MA-6, MB-6, S-8 and M-8. ³⁾ All motors sizes 112-132 not included in ²⁾ . ⁴⁾ Frame size 112 generation code E bearings in D-end 6306-2Z/C3.								
Bearings Two-speed motor	D-end N-end ¹⁾ N-end ²⁾	6206-2Z/C3 6206-2Z/C3 6205-2Z/C3	6208-2Z/C3 6206-2Z/C3 6206-2Z/C3	6309-2Z/C3 6209-2Z/C3	6310-2Z/C3 6209-2Z/C3	6312/C3 6210/C3	6313/C3 6212/C3	6315/C3 6213/C3	NA	
		¹⁾ M3AA 112, M3AA 132M.			²⁾ M3AA 132S					
Axially-locked bearings	Inner bearing cover	D-end ¹⁾ ¹⁾ Foot motor. A spring washer at the N-end presses the motor towards the D-end.			D-end					
Bearing seals	D-end N-end	V-ring Labyrinth seal. Except two-speed motors 112-132M, outer and inner V-rings.				Outer and inner V-rings. Outer and inner V-rings.				
Lubrication		Permanently lubricated shielded bearings. Grease temperature range -40 to +160°C.				Valve lubrication. Grease temp. range -40 to 150°C.				
Terminal box	Material Surface treatment Screws	Diecast aluminum alloy, base integrated with stator. Similar to stator. Steel 5G. Galvanised.				Deep-drawn steel sheet, bolted to stator. Phosphated. Polyester paint.				
Connections	Knock-out openings Flange-openings	2 x (M25 + M20)		2 x (2 x M40 + M16)		2 x FL13, 2 x M40 2 x FL 21, 2 x M63 (voltage code S)			2 x FL21 2 x M63 1 x M16	
Terminal box	Screws Max Cu-area mm ²	M5 10		M6 35		M10 70				
Fan	Material	Polypropylene. Reinforced with 20% glass fibre.								
Fan cover	Material Surface treatment	Polypropylene.			Steel sheet. Also two-speed sizes 112 and 132 M. Phosphated. Polyester paint.					
Stator winding	Material Impregnation Insulation class	Copper. Polyester varnish. Tropicalised. Insulation class F. Temperature rise class B, unless otherwise stated.								
Stator winding temperature sensors		Optional.				PTC thermistors, 150°C, 3 in series.				
Rotor winding	Material	Diecast aluminum.								
Balancing method		Half key balancing.								
Key ways		Closed keyway								
Heating elements	On request	25 W			50 W					
Enclosure		IP 55.								
Cooling method		IC 411.								

General Purpose Steel Motors

Totally enclosed squirrel cage three phase low voltage motors,
Sizes 280 - 400, 75 to 630 kW



3

www.abb.com/motors&drives

- > Motors
- > Low voltage motors
- > General purpose motors

Mechanical design	80
Rating plates	86
Ordering information.....	87
Technical data.....	88
Variant codes	93
Dimension drawings.....	96
Steel motors in brief.....	109

Mechanical design

Stator

The stator frame is made of profile-pressed sheet steel, giving the motor high mechanical strength, low weight and a good surface finish. The stator core is welded into the stator frame and contributes to its excellent mechanical properties.

Feet and lifting eyes are welded to the stator frame. The terminal box and end shields are of cast iron.

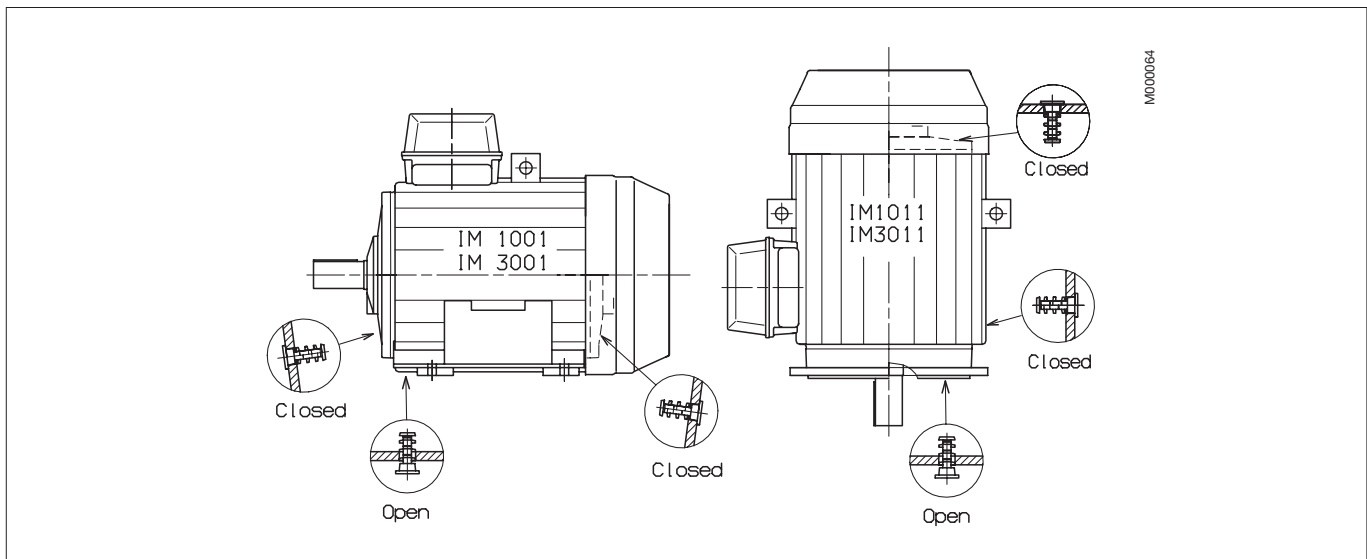
Drain holes

Motors that will be operated in very humid or wet environments, and especially under intermittent duty, should be provided with drain holes. The appropriate IM designation, such as IM V3 (IM 3031), is specified, on the basis of the method of motor mounting.

M2CA motors are fitted with drain holes and plugs. The

plugs are open on delivery. Check that the drain holes and grease outlet face downwards, when mounting designation differs from standard horizontal mounting.

In the case of vertical mounting, the upper plug must be hammered home completely. In very dusty environments the drain hole plug should be knocked in.



Terminal box

Terminal boxes are mounted either on the top of the motor, or on either side of the motor, see ordering information.

In basic version the terminal box can be rotated 2x180° to allow cable entry from either side of the motor, as option the terminal box can be turned 4x90°.

Degree of protection of standard terminal box is IP 55.

The terminal box is equipped with cable glands or cable boxes as standard, and terminations are suitable for Cu- and Al-cables. Cables are connected to the terminals by cable lugs which are not included with the motor.

To enable us to supply suitable terminations for the motor please state cable type, quantity and size when ordering. Non-standard design of terminal boxes; e.g. size, degree of protection, are available as options.

Please see variant codes for options and dimension drawings of terminal boxes.

Motor sizes 280 to 400 - Co-ordination of terminal boxes and cable entries

Voltage 220 - 690 V, 50 Hz

Motor size	Top-mounted		Side-mounted		Cable box or cable gland	Gland thread	Cable diameter	Max. conn. cable area mm ²	Terminal bolt size	
	Voltage/freq. code	Terminal box	Flange or adapter	Terminal box						Flange or adapter
3000 r/min (2 poles)										
280		122/4	3GZF294730-749	122/5	3GZF294730-749	2x 3GZF 294730-613	2x M63x1.5	2x Ø32-49	2x150	M12
315 S_,M_,LA,LB		142/4	3GZF294730-753	142/6	3GZF294730-753	2x 3GZF 294730-613	2x M63x1.5	2x Ø32-49	2x240	M12
315 LC		162/4	3GZF294730-944	162/7	3GZF294730-759	3GZF 294730-301		2x Ø48-60	4x240	M12
355 SA		370	3GZF294730-753	370	3GZF294730-753	2x 3GZF 294730-613	2x M63x1.5	2x Ø32-49	2x240	M12
355 M_	D	750	3GZF294730-944	750	3GZF294730-759	3GZF 294730-301		2x Ø48-60	4x240	M12
	E	370	3GZF294730-753	370	3GZF294730-753	2x 3GZF 294730-613	2x M63x1.5	2x Ø32-49	2x240	M12
355 L_		750	3GZF294730-944	750	3GZF294730-759	3GZF 294730-301		2x Ø48-60	4x240	M12
400 ML_		750	3GZF294730-944	750	3GZF294730-759	3GZF 294730-501		2x Ø60-80	4x240	M12
400 LK_		750	3GZF294730-944	750	3GZF294730-759	3GZF 294730-501		2x Ø60-80	4x240	M12
1500 r/min (4 poles)										
280		122/4	3GZF294730-749	122/5	3GZF294730-749	2x 3GZF 294730-613	2x M63x1.5	2x Ø32-49	2x150	M12
315 S_,M_,LA, LB		142/4	3GZF294730-753	142/6	3GZF294730-753	2x 3GZF 294730-613	2x M63x1.5	2x Ø32-49	2x240	M12
315 LC		162/4	3GZF294730-944	162/7	3GZF294730-759	3GZF 294730-301		2x Ø48-60	4x240	M12
355 SA		370	3GZF294730-753	370	3GZF294730-753	2x 3GZF 294730-613	2x M63x1.5	2x Ø32-49	2x240	M12
355 M_	D	750	3GZF294730-944	750	3GZF294730-759	3GZF 294730-301		2x Ø48-60	4x240	M12
	E	370	3GZF294730-753	370	3GZF294730-753	2x 3GZF 294730-613	2x M63x1.5	2x Ø32-49	2x240	M12
355 LA, LB		750	3GZF294730-944	750	3GZF294730-759	3GZF 294730-301		2x Ø48-60	4x240	M12
355 LKD		750	3GZF294730-944	750	3GZF294730-759	3GZF 294730-501		2x Ø60-80	4x240	M12
400 ML_		750	3GZF294730-944	750	3GZF294730-759	3GZF 294730-501		2x Ø60-80	4x240	M12
400 LKA	D	750	3GZF294730-944	750	3GZF294730-759	3GZF 294730-501		2x Ø60-80	4x240	M12
400 LKB		750	3GZF294730-944	750	3GZF294730-759	3GZF 294730-501		2x Ø60-80	4x240	M12
1000 r/min (6 poles)										
280		122/4	3GZF294730-749	122/6	3GZF 294730-749	2x 3GZF 294730-613	2x M63x1.5	2x Ø32-49	2x150	M12
315 S_,M_,LA		142/4	3GZF294730-753	142/6	3GZF 294730-753	2x 3GZF 294730-613	2x M63x1.5	2x Ø32-49	2x240	M12
355 SA,SB		370	3GZF294730-753	370	3GZF 294730-753	2x 3GZF 294730-613	2x M63x1.5	2x Ø32-49	2x240	M12
355 MA		370	3GZF294730-753	370	3GZF 294730-753	2x 3GZF 294730-613	2x M63x1.5	2x Ø32-49	2x240	M12
355 MB	D	750	3GZF294730-944	750	3GZF 294730-759	3GZF 294730-301		2x Ø48-60	4x240	M12
	E	370	3GZF294730-753	370	3GZF 294730-753	2x 3GZF 294730-613	2x M63x1.5	2x Ø32-49	2x240	M12
355 LKD		750	3GZF294730-944	750	3GZF 294730-759	3GZF 294730-301		2x Ø48-60	4x240	M12
400 MLA		750	3GZF294730-944	750	3GZF 294730-759	3GZF 294730-301		2x Ø48-60	4x240	M12
400 MLB		750	3GZF294730-944	750	3GZF 294730-759	3GZF 294730-501		2x Ø60-80	4x240	M12
400 LK_		750	3GZF294730-944	750	3GZF 294730-759	3GZF 294730-501		2x Ø60-80	4x240	M12
750 r/min (8 poles)										
280		122/4	3GZF294730-749	122/5	3GZF 294730-749	2x 3GZF 294730-613	2x M63x1.5	2x Ø32-49	2x150	M12
315		142/4	3GZF294730-753	142/6	3GZF 294730-753	2x 3GZF 294730-613	2x M63x1.5	2x Ø32-49	2x240	M12
355 SA, SB		370	3GZF294730-753	370	3GZF 294730-753	2x 3GZF 294730-613	2x M63x1.5	2x Ø32-49	2x240	M12
355 MA		370	3GZF294730-753	370	3GZF 294730-753	2x 3GZF 294730-613	2x M63x1.5	2x Ø32-49	2x240	M12
355 MB		370	3GZF294730-753	370	3GZF 294730-753	2x 3GZF 294730-613	2x M63x1.5	2x Ø32-49	2x240	M12

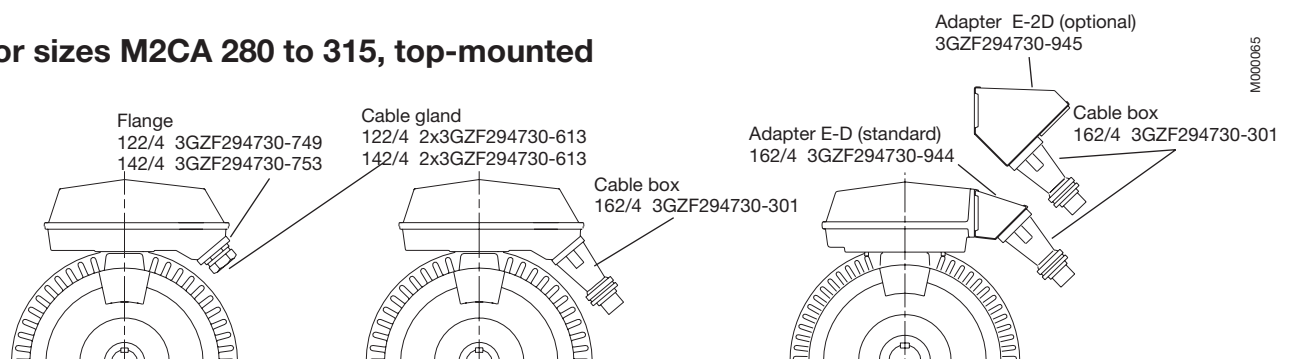
Voltage/frequency codes:

D = 380-420 VD 50 Hz, 660/690 VY 50 Hz, 440-480 VD 60 Hz

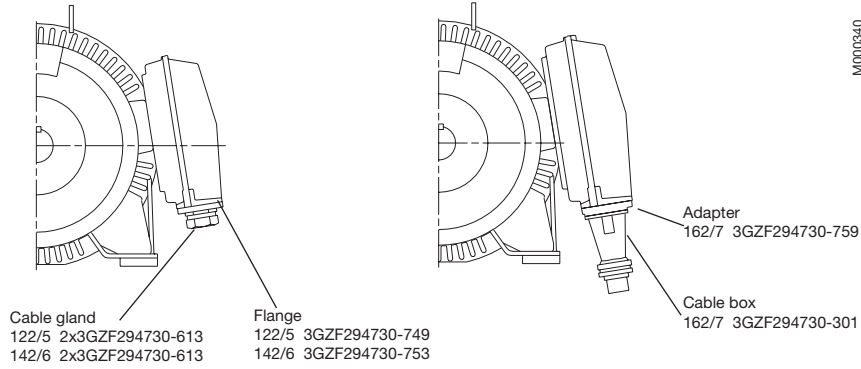
E = 500 VD 50 Hz, 575 VD 60 Hz

Earthing bolt size on terminal box 2xM10.

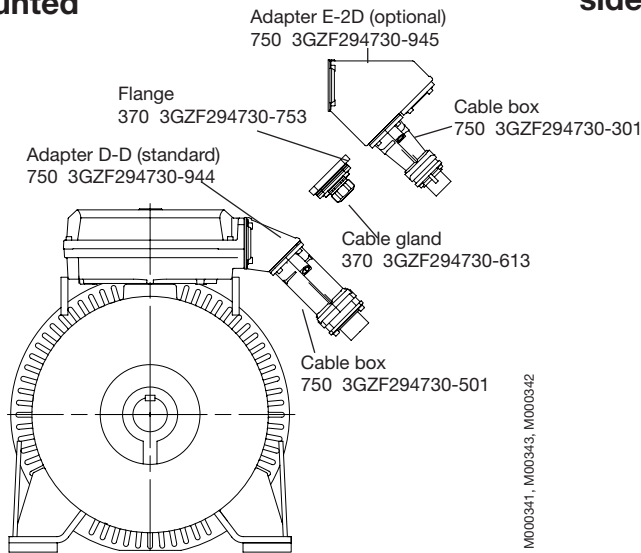
Motor sizes M2CA 280 to 315, top-mounted



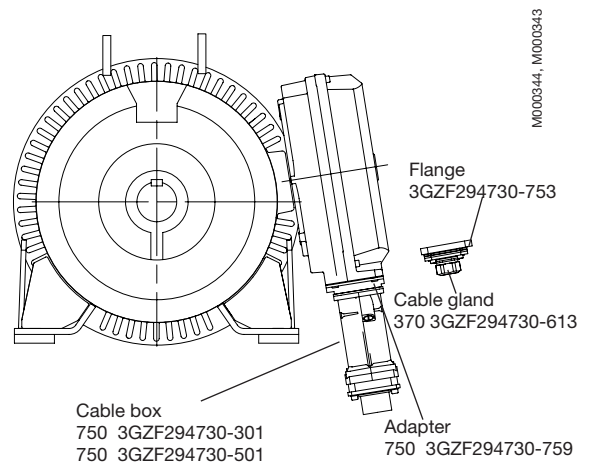
Motor sizes M2CA 280 to 315, side-mounted



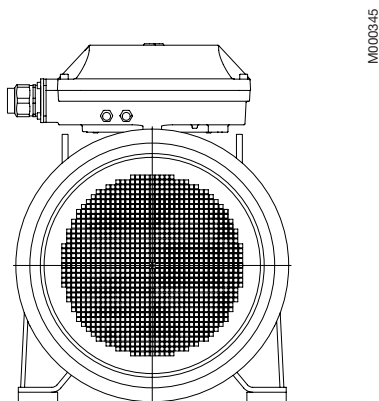
Motor sizes M2CA 355 to 400, top-mounted



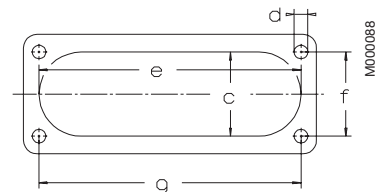
Motor sizes M2CA 355 to 400, side-mounted



Auxiliary devices (view from N-end)



Dimension for terminal box inlet



Inlet	c	e	f	g	d
C	62	193	62	193	M8
D	100	300	80	292	M10
E	115	370	100	360	M12

Bearings

The motors are normally fitted with single-row deep groove ball bearings as listed in the table below. The complete ball bearing designation is stated on the rating plate.

If the bearing at the D-end is replaced with a roller bearing (NU- or NJ-), higher radial forces can be handled. Roller bearings are suitable for belt drive applications.

When there are high axial forces, angular contact ball bearings should be used. This option is available on request. When a motor with angular contact ball bearings is ordered, the method of mounting and direction and magnitude of the axial force must be specified. For special bearings, please see the variant codes.

Bearing types

Motor size	Number of poles	Standard design Deep groove ball bearings		Alternative designs Roller bearings variant code 037
		D-end	N-end	D-end
280	2	6316/C4	6316/C4	1)
	4-12	6316/C3	6316/C3	NU 316/C3
315	2	6316/C4	6316/C4	1)
	4-12	6319/C3	6316/C3	NU319/C3
355	2	6316M/C3	6316M/C3	1)
	4-12	6322/C3	6319/C3	NU 322/C3
400	2	6317M/C3	6317M/C3	1)
	4-12	6322/C3	6319/C3	NU 322/C3

1) On request

Axially-locked bearings

The outer bearing ring at the D-end is axially locked with an inner bearing cover. The inner ring is locked by tight tolerance to the shaft.

All motors are equipped as standard with an axially-locked bearing at the D-end.

Transport locking

Motors that have roller bearings or an angular contact ball bearing are fitted with a transport lock before despatch to prevent damage to the bearings during transport. In case of transport locked bearing, the motor is provided with a warning sign.

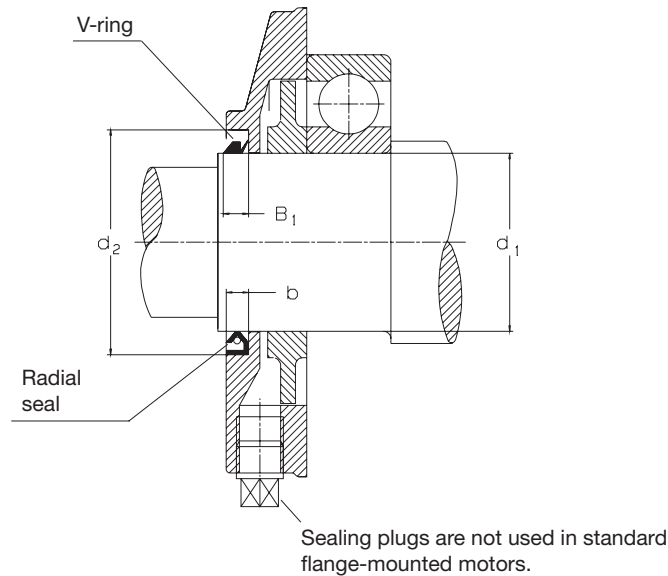
Locking may also be fitted in other cases where transport conditions are suspected of being potentially damaging.

Bearing seals

M2CA motors have, as standard, V-rings at both ends. The size and type of suitable seals are in accordance with the table below:

Motor size	Number of poles	d ₁	d ₂	B ₁	b	Standard design Axial seal		Alternative design Radial seal (DIN 3760) Variant code 072
						D-end	N-end	
280	2	80	100	13.5	10	VS 80	VS 80	80x100x10 ¹⁾
	4-12	80	100	13.5	10	VS 80	VS 80	80x100x10
315	2	80	100	13.5	10	VS 80	VS 80	80x100x10 ¹⁾
	4-12	95	120	13.5	12	VS 95	VS 80	95x120x12
355	2	95	120	13.5	12	VS 80	VS 80	80x100x10 ¹⁾
	4-12	110	140	15.5	12	VS 110	VS 95	110x140x12 ¹⁾
400	2					²⁾	²⁾	
	4-12	110	140	15.5	12	VS 110	VS 95	110x140x12 ¹⁾

¹⁾ Viton-seal
²⁾ Labyrinth seal



Bearing life

The nominal life L_{10} of a bearing is defined according to ISO as the number of operating hours achieved or exceeded by 90% of identical bearings in a large test series under certain specified conditions. 50% of the bearings achieve at least five times this figure.

The calculated bearing life L_{10} for power transmission by means of a coupling (horizontal machine):
Motor sizes M2CA 280 to 400 \geq 200.000 hours.

Pulley diameter

When the desired bearing life has been determined, the minimum permissible pulley diameter can be calculated using F_R , as follows:

$$D = \frac{1.9 \cdot 10^7 \cdot K \cdot P}{n \cdot F_R}$$

where:

- D = diameter of pulley, mm
- P = power requirement, kW
- n = motor speed, r/min
- K = belt tension factor, dependent on belt type and type of duty. A common value for V-belts is 2.5.
- F_R = permissible radial force

Permissible loading on shaft

The table below gives the permissible radial and axial forces in Newtons, assuming the occurrence of only radial or axial force. In case of simultaneous radial and axial forces, information can be supplied on request. The values are based on normal conditions at 50 Hz and calculated bearing lives of 40,000 h.

Motors are B3 version with force directed sideways. In some cases the strength of the shaft affects the permissible forces.

At 60 Hz the values must be reduced by 10 %. For two-speed motors, the values must be based on the higher speed. When there are high axial forces, angular contact ball bearings should be used.

Permissible loads of simultaneous radial and axial forces will be supplied on request.

Permissible radial and axial force for a bearing life of 40,000 hours

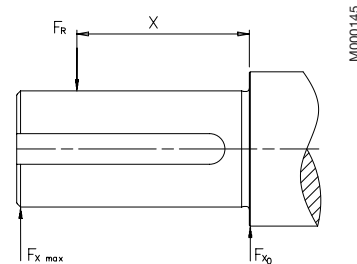
Motor size	Number of poles	Length of shaft extension E (mm)	Permissible radial force:				Permissible axial force:		
			Horizontal mounting, sideways direction of force				Horizontal mounting	Vertical mounting with shaft extension downwards	
			Ball bearing at point of application:		Roller bearing at point of application:		Direction of force		
			F_{X_0}	$F_{X_{max}}$	F_{X_0}	$F_{X_{max}}$	Outwards	Upwards	Downwards
		N	N	N	N	N	N		
280	2	140	5800	4800	–	–	3700	7050	2600
	4	140	7300	6100	20000	10500	4000	7650	2800
	6	140	8300	6800	22500	10500	4900	8800	3400
	8	140	9200	7500	24700	10500	5700	9750	4100
315	2	140	5800	4900	–	–	3600	7400	1800
	4	170	8900	7300	26500	10500	4900	9200	2800
	6	170	10300	8500	29800	10500	6150	10700	3300
	8	170	11300	9300	32500	11000	6900	11800	4300
355	2	140	5800	5100	–	–	2400	¹⁾	¹⁾
	4	210	12000	9800	36700	17500	3900	¹⁾	¹⁾
	6	210	13500	11300	41500	17000	5100	¹⁾	¹⁾
	8	210	15000	12500	45200	17500	6350	¹⁾	¹⁾
400	2	170	5800	5100	–	–	6700	¹⁾	¹⁾
	4	210	11800	10200	37300	16700	3450	¹⁾	¹⁾
	6	210	13600	11700	42000	13500	4750	¹⁾	¹⁾
	8	210	15100	12900	45700	16800	5700	¹⁾	¹⁾

¹⁾ On request

If the radial force is applied between points X_0 and X_{max} , the permissible force F_R can be calculated from the following formula:


$$F_R = F_{X_0} - \frac{X}{E} (F_{X_0} - F_{X_{max}})$$

E = length of shaft extension in basic version



Rating plate

The rating plate is in table form giving values for speed, current and power factor for six voltages.

ABB Oy, Motors, Vaasa, Finland						
CE						
3 ~ Motor M2CA 315 SMA 4 B3						
IEC 315 S/M 80						
					No.0320-010119452	
				Ins.cl. F	IP	55
V	Hz	kW	r/min	A	cos φ	Duty
690 Y	50	132	1486	138	0,85	S1
400 D	50	132	1486	232	0,85	S1
660 Y	50	132	1485	141	0,86	S1
380 D	50	132	1485	245	0,86	S1
415 D	50	132	1487	232	0,84	S1
440 D	60	150	1784	238	0,87	S1
Prod.code 3GCA312310-ADA						
				Nmax	r/min	
6319/C3		6316/C3		730 kg		
 IEC 60034-1						

M000081

Ordering information

When placing an order, please state the following minimum data in the order, as in the example.

The product code of the motor is composed in accordance with the following example.

Motor type	M2CA 315SMA
Pole number	4
Mounting arrangement (IM-code)	IM B3 (IM 1001)
Rated output	132 kW
Product code	3GCA312210-ADA
Variant codes if needed	

A	B	C	D,E,F, G	A Motor type
M2CA	315 SMA	3GCA 312 210 -	ADA, 003 etc.	B Motor size
		1 - 4	5 - 6 7 8 - 10 11 12 13 14	C Product code
				D Mounting arrangement code
				E Voltage/frequency code
				F Generation code
				G Variant code

Explanation of the product code:

Positions 1 to 4

3GCA = Totally enclosed fan cooled squirrel cage motor with steel stator frame

Positions 5 and 6

IEC-size

28 = 280

35 = 355

31 = 315

40 = 400

Position 7

Speed (Pole pairs)

1 = 2 poles

6 = 12 poles

2 = 4 poles

7 = > 12 poles

3 = 6 poles

8 = Two-speed motors

4 = 8 poles

9 = Multi-speed motors

5 = 10 poles

Position 8 to 10

Serial number

Position 11

- (dash)

Position 12

Mounting arrangement

A = Foot-mounted, top-mounted terminal box

R = Foot-mounted, terminal box RHS seen from D-end

L = Foot-mounted, terminal box LHS seen from D-end

B = Flange-mounted, large flange

H = Foot- and flange-mounted, top-mounted terminal box

S = Foot- and flange-mounted, terminal box RHS seen from D-end

T = Foot- and flange-mounted, terminal box LHS seen from D-end

Position 13

Voltage and frequency code

See table below

Position 14

Generation code = A

For frame sizes 280 to 315 = A

For frame sizes 355 to 400 = C

The product code must be, if needed, followed by variant codes.

Code letters for supplementing the product code for voltage and frequency:

A	B	D	E	F	H
380 VY 50 Hz	380 VΔ 50 Hz	380-420 VΔ 50 Hz 660-690 VY 50 Hz 440-480 VΔ 60 Hz	500 VΔ 50 Hz 575 VΔ 60 Hz	500 VY 50 Hz 575 VY 60 Hz	415 VΔ 50 Hz
S	T	U	X		
220-240 VΔ 50 Hz 380-420 VY 50 Hz 440-480 VY 60 Hz	660 VΔ 50 Hz	690 VΔ 50 Hz	Other rated voltage, connection or frequency, max. 690 V		

General purpose steel motors

Technical data for totally enclosed squirrel cage three phase motors

IP 55 – IC 411 – Insulation class F, temperature rise class B

Output kW	Motor type	Product code	Speed r/min	Efficiency		Power factor cos φ	Current		Torque			
				Full load 100%	3/4 load 75%		I _N A	I _s A	T _N Nm	T _s Nm	T _{max} Nm	
3000 r/min = 2-poles				400 V 50 Hz				Basic design				
75	M2CA 280 SA	3GCA 281 110-••A	2977	94.9	94.6	0.88	131	7.5	241	2.3	3.3	
90	M2CA 280 SMA	3GCA 281 210-••A	2975	95.1	94.9	0.90	152	7.6	289	2.3	2.9	
110	M2CA 315 SA	3GCA 311 110-••A	2982	95.1	94.4	0.86	194	7.6	352	2.0	3.0	
132	M2CA 315 SMA	3GCA 311 210-••A	2982	95.4	94.9	0.88	228	7.4	423	2.2	3.0	
160	M2CA 315 MB	3GCA 311 320-••A	2981	96.1	95.6	0.89	269	7.5	513	2.3	3.0	
200 ²⁾	M2CA 315 LA	3GCA 311 510-••A	2978	96.3	95.9	0.90	334	7.8	641	2.6	3.0	
200	M2CA 355 SA	3GCA 351 110-••C	2978	95.5	95.2	0.89	338	6.4	641	1.3	2.6	
250	M2CA 355 MA	3GCA 351 310-••C	2983	96.1	95.6	0.89	422	7.2	800	1.4	3.0	
280 ²⁾	M2CA 355 MB	3GCA 351 320-••C	2981	96.1	95.7	0.89	472	6.8	897	1.3	2.8	
315 ²⁾	M2CA 355 LA	3GCA 351 510-••C	2980	96.4	96.1	0.89	535	7.0	1009	2.1	3.0	
355 ²⁾	M2CA 355 LB	3GCA 351 520-••C	2983	96.5	96.2	0.88	603	7.7	1136	2.1	2.9	
400 ²⁾	M2CA 400 MLA	3GCA 401 410-••C	2985	96.8	96.5	0.88	675	7.2	1280	1.4	2.6	
450 ²⁾	M2CA 400 MLB	3GCA 401 420-••C	2987	96.9	96.7	0.90	743	7.7	1438	1.7	3.0	
500 ²⁾	M2CA 400 LKA	3GCA 401 810-••C	2987	97.0	96.8	0.90	825	8.0	1598	2.0	3.2	
560 ¹⁾	M2CA 400 LKB	3GCA 401 820-••C	2988	97.2	97.0	0.89	940	7.8	1790	2.1	3.4	
3000 r/min = 2-poles				400 V 50 Hz				High-output design				
110	M2CA 280 MB	3GCA 281 320-••A	2977	95.8	95.5	0.90	184	7.9	353	2.4	3.0	
132	M2CA 280 MC	3GCA 281 330-••A	2976	96.0	95.7	0.91	222	7.7	424	2.6	3.0	
160	M2CA 280 MD	3GCA 281 340-••A	2975	96.2	96.0	0.91	266	7.9	514	2.8	3.1	
250 ²⁾	M2CA 315 LB	3GCA 311 520-••A	2980	96.5	96.4	0.89	422	8.1	801	2.8	2.9	
315 ¹⁾	M2CA 315 LC	3GCA 311 530-••A	2982	96.7	96.6	0.89	530	8.8	1009	3.2	3.2	
1500 r/min = 4-poles				400 V 50 Hz				Basic design				
75	M2CA 280 SA	3GCA 282 110-••A	1483	95.0	94.9	0.84	137	6.8	483	2.4	2.8	
90	M2CA 280 SMA	3GCA 282 210-••A	1484	95.2	95.1	0.85	163	7.1	579	2.7	2.9	
110	M2CA 315 SA	3GCA 312 110-••A	1487	95.4	95.1	0.85	198	6.9	706	2.1	2.8	
132	M2CA 315 SMA	3GCA 312 210-••A	1486	95.6	95.5	0.85	238	6.7	848	2.2	2.7	
160 ²⁾	M2CA 315 MB	3GCA 312 320-••A	1486	96.0	95.9	0.86	282	7.2	1028	2.4	2.9	
200 ²⁾	M2CA 315 LA	3GCA 312 510-••A	1486	96.2	96.2	0.86	351	7.2	1285	2.5	2.9	
200	M2CA 355 SA	3GCA 352 110-••C	1488	96.0	95.7	0.86	350	7.3	1284	2.0	2.6	
250	M2CA 355 MA	3GCA 352 310-••C	1489	96.2	96.0	0.86	435	7.5	1603	2.2	2.6	
315 ²⁾	M2CA 355 LA	3GCA 352 510-••C	1488	96.4	96.2	0.86	550	7.3	2022	2.3	2.8	
355 ²⁾	M2CA 355 LB	3GCA 352 520-••C	1489	96.6	96.5	0.86	615	7.5	2277	2.4	2.7	
400 ²⁾	M2CA 355 LKD	3GCA 352 840-••C	1490	96.6	96.3	0.87	684	7.7	2564	2.5	2.8	
450 ²⁾	M2CA 400 MLA	3GCA 402 410-••C	1491	96.6	96.3	0.87	772	7.4	2882	1.9	2.7	
500 ²⁾	M2CA 400 MLB	3GCA 402 420-••C	1491	96.8	96.5	0.86	867	7.8	3202	2.2	2.9	
560 ²⁾	M2CA 400 LKA	3GCA 402 810-••C	1491	96.9	96.6	0.85	982	7.4	3587	2.4	3.0	
630 ²⁾	M2CA 400 LKB	3GCA 402 820-••C	1491	96.9	96.7	0.87	1077	7.5	4034	2.2	3.0	
1500 r/min = 4-poles				400 V 50 Hz				High-output design				
110	M2CA 280 MB	3GCA 282 320-••A	1483	95.3	95.2	0.86	195	7.5	708	2.7	2.8	
132	M2CA 280 MC	3GCA 282 330-••A	1483	95.6	95.5	0.86	235	7.1	850	2.8	2.9	
160	M2CA 280 MD	3GCA 282 340-••A	1483	95.8	95.7	0.86	283	7.1	1030	2.8	3.1	
250 ²⁾	M2CA 315 LB	3GCA 312 520-••A	1487	96.2	96.2	0.86	442	7.4	1605	2.5	2.9	
315 ²⁾	M2CA 315 LC	3GCA 312 530-••A	1488	96.5	96.4	0.86	548	7.8	2022	2.6	3.2	

¹⁾ Temperature rise class F.

²⁾ Temperature rise class F by 380 V.

The two bullets in the product code indicate choice of mounting arrangement, voltage and frequency (see ordering information page).

General purpose steel motors

Technical data for totally enclosed squirrel cage three phase motors

IP 55 – IC 411 – Insulation class F, temperature rise class B

Output kW	Motor type	Speed r/min	Effi- ciency %	Power factor cos φ 100%	Current I _N A	380 V 50 Hz		415 V 50 Hz		Moment of inertia J = ¼ GD ² kgm ²	Weight kg	Sound pressure level L _p dB(A)
						Speed r/min	Effi- ciency %	Power factor cos φ 100%	Current I _N A			
3000 r/min = 2-poles		380 V 50 Hz				415 V 50 Hz				Basic design		
75	M2CA 280 SA	2974	94.8	0.89	137	2980	94.8	0.87	127	0.8	480	77
90	M2CA 280 SMA	2970	95.1	0.90	159	2978	95.1	0.89	147	0.9	545	77
110	M2CA 315 SA	2980	95.1	0.87	202	2983	95.1	0.85	190	1.2	695	80
132	M2CA 315 SMA	2980	95.4	0.89	238	2983	95.7	0.87	222	1.4	770	80
160	M2CA 315 MB	2979	96.1	0.90	282	2982	96.1	0.89	262	1.7	840	80
200 ²⁾	M2CA 315 LA	2977	96.3	0.90	350	2981	96.3	0.90	321	2.1	975	80
200	M2CA 355 SA	2975	95.4	0.90	353	2980	95.5	0.89	327	2.5	1200	83
250	M2CA 355 MA	2981	95.9	0.90	439	2984	96.0	0.88	410	2.7	1260	83
280 ²⁾	M2CA 355 MB	2978	96.0	0.90	492	2982	96.1	0.88	460	2.7	1260	83
315 ²⁾	M2CA 355 LA	2978	96.3	0.89	560	2982	96.4	0.89	515	3.4	1480	83
355 ²⁾	M2CA 355 LB	2981	96.5	0.89	627	2985	96.5	0.87	585	3.5	1520	83
400 ²⁾	M2CA 400 MLA	2983	96.7	0.89	705	2986	96.8	0.88	652	6.3	2050	85
450 ²⁾	M2CA 400 MLB	2986	96.9	0.90	782	2988	96.9	0.89	724	6.9	2150	85
500 ²⁾	M2CA 400 LKA	2986	97.0	0.91	858	2988	97.0	0.89	802	7.8	2450	85
560 ¹⁾	M2CA 400 LKB	2986	97.2	0.90	980	2989	97.2	0.88	910	7.9	2500	85
3000 r/min = 2-poles		380 V 50 Hz				415 V 50 Hz				High-output design		
110	M2CA 280 MB	2974	95.7	0.91	193	2979	95.8	0.90	179	1.15	580	77
132	M2CA 280 MC	2972	95.9	0.91	233	2978	96.0	0.90	213	1.4	755	77
160	M2CA 280 MD	2971	96.1	0.91	280	2977	96.2	0.90	255	1.55	810	77
250 ²⁾	M2CA 315 LB	2977	96.3	0.89	444	2982	96.5	0.89	408	2.65	1230	80
315 ¹⁾	M2CA 315 LC	2979	96.8	0.90	552	2983	96.8	0.89	508	3.3	1410	80
1500 r/min = 4-poles		380 V 50 Hz				415 V 50 Hz				Basic design		
75	M2CA 280 SA	1481	94.8	0.86	142	1485	95.0	0.82	134	1.15	445	68
90	M2CA 280 SMA	1482	95.1	0.86	169	1486	95.2	0.83	159	1.4	490	68
110	M2CA 315 SA	1486	95.3	0.86	204	1488	95.3	0.83	198	2	675	71
132	M2CA 315 SMA	1485	95.5	0.86	245	1487	95.5	0.84	232	2.3	730	71
160 ²⁾	M2CA 315 MB	1485	95.9	0.87	294	1487	96.0	0.85	277	2.9	850	71
200 ²⁾	M2CA 315 LA	1484	96.1	0.87	365	1487	96.2	0.85	342	3.5	970	71
200	M2CA 355 SA	1487	95.9	0.87	364	1489	96.0	0.85	341	4.8	1200	80
250	M2CA 355 MA	1487	96.1	0.87	453	1489	96.2	0.85	424	5.7	1320	80
315 ²⁾	M2CA 355 LA	1487	96.3	0.87	571	1489	96.4	0.85	538	6.9	1550	80
355 ²⁾	M2CA 355 LB	1488	96.5	0.87	640	1490	96.6	0.85	602	6.9	1550	80
400 ²⁾	M2CA 355 LKD	1488	96.5	0.88	712	1490	96.6	0.86	665	8.4	1900	85
450 ²⁾	M2CA 400 MLA	1490	96.5	0.88	804	1492	96.6	0.86	752	12	2300	85
500 ²⁾	M2CA 400 MLB	1491	96.7	0.87	900	1492	96.8	0.84	855	13	2400	85
560 ²⁾	M2CA 400 LKA	1490	96.8	0.86	1022	1492	96.9	0.84	972	15	2700	85
630 ²⁾	M2CA 400 LKB	1490	96.8	0.88	1122	1492	96.9	0.86	1050	16	2800	85
1500 r/min = 4-poles		380 V 50 Hz				415 V 50 Hz				High-output design		
110	M2CA 280 MB	1481	95.2	0.87	204	1486	95.3	0.84	193	1.7	550	68
132	M2CA 280 MC	1481	95.4	0.87	245	1485	95.7	0.85	227	2.3	775	70
160	M2CA 280 MD	1482	95.6	0.87	295	1485	95.8	0.85	276	2.5	820	70
250 ²⁾	M2CA 315 LB	1485	96.1	0.87	457	1488	96.3	0.85	428	4.4	1200	78
315 ²⁾	M2CA 315 LC	1486	96.4	0.87	570	1489	96.5	0.85	535	5.5	1380	78

General purpose steel motors

Technical data for totally enclosed squirrel cage three phase motors

IP 55 – IC 411 – Insulation class F, temperature rise class B

Output kW	Motor type	Product code	Speed r/min	Efficiency		Power factor cos φ	Current		Torque			
				Full load 100%	3/4 load 75%		I _N A	I _s A	T _N Nm	T _s Nm	T _{max} Nm	
1000 r/min = 6-poles			400 V 50 Hz				Basic design					
45	M2CA 280 SA	3GCA 283 110-••A	990	94.1	94.0	0.82	85	6.6	434	2.5	2.5	
55	M2CA 280 SMA	3GCA 283 210-••A	989	94.4	94.3	0.83	102	6.6	531	2.5	2.5	
75	M2CA 315 SA	3GCA 313 110-••A	992	94.9	94.7	0.80	143	7.1	722	2.3	2.7	
90	M2CA 315 SMA	3GCA 313 210-••A	991	95.3	95.2	0.83	165	7.1	867	2.3	2.7	
110	M2CA 315 MB	3GCA 313 320-••A	991	95.3	95.1	0.83	201	7.3	1060	2.5	2.8	
132	M2CA 315 LA	3GCA 313 510-••A	990	95.4	95.3	0.84	241	6.7	1273	2.4	2.7	
132	M2CA 355 SA	3GCA 353 110-••C	992	95.3	95.0	0.84	238	6.8	1271	2.0	2.4	
160	M2CA 355 SB	3GCA 353 120-••C	992	95.5	95.3	0.83	290	7.2	1540	2.3	2.5	
200 ²⁾	M2CA 355 MA	3GCA 353 310-••C	992	95.8	95.6	0.83	363	7.5	1925	2.4	2.6	
250 ²⁾	M2CA 355 MB	3GCA 353 320-••C	993	96.0	95.7	0.80	470	7.7	2404	2.9	3.0	
315 ²⁾	M2CA 355 LKD	3GCA 353 840-••C	992	96.2	96.0	0.82	577	7.4	3032	2.6	2.7	
355 ²⁾	M2CA 400 MLA	3GCA 402 410-••C	993	96.5	96.4	0.84	630	7.3	3414	2.0	2.4	
400 ²⁾	M2CA 400 MLB	3GCA 402 420-••C	994	96.5	96.4	0.84	710	7.6	3843	2.2	2.7	
450 ¹⁾	M2CA 400 LKA	3GCA 402 810-••C	994	96.7	96.5	0.83	808	7.8	4323	2.3	2.6	
500 ¹⁾	M2CA 400 LKB	3GCA 402 820-••C	994	96.7	96.6	0.83	898	7.7	4803	2.4	2.5	
1000 r/min = 6-poles			400 V 50 Hz				High-output design					
75	M2CA 280 MB	3GCA 283 320-••A	990	94.5	94.4	0.83	139	7.3	723	2.8	2.7	
90	M2CA 280 MC	3GCA 283 330-••A	989	94.9	94.8	0.83	168	7.4	869	2.9	2.9	
110	M2CA 280 MD	3GCA 283 340-••A	990	95.2	95.1	0.83	202	7.9	1061	3.1	3.0	
750 r/min = 8-poles			400 V 50 Hz				Basic design					
37	M2CA 280 SA	3GCA 284 110-••A	741	93.4	93.1	0.78	74	7.3	477	1.8	3.1	
45	M2CA 280 SMA	3GCA 284 210-••A	741	94.0	93.8	0.78	90	7.6	580	1.9	3.2	
55	M2CA 315 SA	3GCA 314 110-••A	741	94.0	93.7	0.80	107	7.1	710	1.8	2.8	
75	M2CA 315 SMA	3GCA 314 210-••A	740	94.5	94.2	0.81	142	7.1	968	1.8	2.8	
90	M2CA 315 MB	3GCA 314 320-••A	740	94.7	94.5	0.82	169	7.3	1161	1.9	2.8	
110 ²⁾	M2CA 315 LA	3GCA 314 510-••A	740	94.8	94.7	0.83	202	7.0	1420	1.9	2.7	
110	M2CA 355 SA	3GCA 354 110-••C	743	94.9	94.8	0.80	208	6.0	1414	1.0	2.4	
132	M2CA 355 MA	3GCA 354 310-••C	743	95.1	95.0	0.80	250	6.2	1697	1.0	2.4	
160 ²⁾	M2CA 355 MB	3GCA 354 320-••C	744	95.3	95.2	0.79	306	6.8	2054	1.2	2.7	
750 r/min = 8-poles			400 V 50 Hz				High-output design					
55	M2CA 280 MB	3GCA 284 320-••A	741	94.4	94.2	0.79	108	7.8	709	1.9	3.2	

¹⁾ Temperature rise class F.

²⁾ Temperature rise class F by 380 V.

The two bullets in the product code indicate choice of mounting arrangement, voltage and frequency (see ordering information page).

General purpose steel motors

Technical data for totally enclosed squirrel cage three phase motors

IP 55 – IC 411 – Insulation class F, temperature rise class B

Output kW	Motor type	Speed r/min	Effi- ciency %	Power factor cos φ 100%	Current		Speed r/min	Effi- ciency %	Power factor cos φ 100%	Current I _N A	Moment of inertia J = ¼ GD ² kgm ²	Weight kg	Sound pressure level L _p dB(A)
					Power factor cos φ 100%	Current I _N A							
1000 r/min = 6-poles		380 V 50 Hz			415 V 50 Hz			Basic design					
45	M2CA 280 SA	988	94.0	0.83	89	991	94.2	0.81	82	1.65	440	66	
55	M2CA 280 SMA	988	94.3	0.84	106	991	94.4	0.82	99	2	475	66	
75	M2CA 315 SA	991	94.8	0.82	146	993	94.9	0.77	143	2.9	630	72	
90	M2CA 315 SMA	990	95.2	0.84	173	992	95.3	0.82	162	3.8	720	72	
110	M2CA 315 MB	990	95.1	0.84	212	992	95.3	0.82	198	4.5	805	75	
132	M2CA 315 LA	988	95.3	0.84	252	991	95.4	0.83	234	5.4	910	75	
132	M2CA 355 SA	991	95.2	0.85	248	993	95.3	0.83	232	6.8	1150	79	
160	M2CA 355 SB	991	95.4	0.84	302	993	95.5	0.82	284	7.6	1220	79	
200	²⁾ M2CA 355 MA	991	95.7	0.84	377	993	95.8	0.82	354	9	1400	79	
250	²⁾ M2CA 355 MB	993	96.0	0.83	477	994	96.0	0.78	465	10.6	1550	79	
315	²⁾ M2CA 355 LKD	991	96.1	0.83	597	993	96.2	0.80	567	13.2	1900	79	
355	²⁾ M2CA 400 MLA	993	96.5	0.85	655	994	96.6	0.83	615	18	2400	80	
400	²⁾ M2CA 400 MLB	993	96.5	0.85	735	994	96.5	0.82	696	18	2400	80	
450	¹⁾ M2CA 400 LKA	993	96.7	0.84	838	995	96.7	0.81	796	21	2700	80	
500	¹⁾ M2CA 400 LKB	993	96.7	0.84	930	994	96.7	0.81	884	21	2700	80	
1000 r/min = 6-poles		380 V 50 Hz			415 V 50 Hz			High-output design					
75	M2CA 280 MB	988	94.5	0.84	144	991	94.5	0.81	137	2.6	545	67	
90	M2CA 280 MC	988	94.8	0.84	174	990	94.9	0.81	164	3.1	815	67	
110	M2CA 280 MD	988	95.1	0.84	210	991	95.2	0.81	200	4.1	835	67	
750 r/min = 8-poles		380 V 50 Hz			415 V 50 Hz			Basic design					
37	M2CA 280 SA	740	93.2	0.80	75	742	93.4	0.76	73	1.85	460	65	
45	M2CA 280 SMA	740	93.8	0.80	92	742	93.8	0.75	90	2.2	500	65	
55	M2CA 315 SA	740	93.9	0.82	108	742	94.0	0.78	105	2.9	630	70	
75	M2CA 315 SMA	739	94.3	0.82	148	741	94.3	0.79	138	3.8	715	70	
90	M2CA 315 MB	739	94.6	0.83	175	741	94.6	0.80	165	4.5	800	77	
110	²⁾ M2CA 315 LA	738	94.7	0.84	213	740	94.8	0.81	198	5.4	900	77	
110	M2CA 355 SA	742	94.8	0.81	216	744	94.9	0.79	204	6.8	1150	75	
132	M2CA 355 MA	742	95.1	0.81	259	744	95.2	0.78	246	7.6	1220	75	
160	²⁾ M2CA 355 MB	743	95.3	0.81	315	744	95.3	0.77	303	9	1400	75	
750 r/min = 8-poles		380 V 50 Hz			415 V 50 Hz			High-output design					
55	M2CA 280 MB	740	94.2	0.81	110	742	94.4	0.77	106	2.85	575	65	

General purpose steel motors

Technical data for totally enclosed squirrel cage three phase motors, two-speed

IP 55 – IC 411 – Insulation class F, temperature rise class F

Output kW	Motor type	Product code	Speed r/min	Efficiency %	Power factor cos φ	Current		Torque			Moment of inertia $J = \frac{1}{4} GD^2$ kgm ²	Weight kg
						I_N A	I_s A	T_N Nm	T_s Nm	T_{max} Nm		
1500/1000 r/min = 4/6 poles			400 V 50 Hz			Fan drive, two separate windings						
60/18.5	M2CA 280 SA	3GCA 288 114-••A	1487/991	93.5/88.0	0.82/0.76	113/40	7.7/7.4	385/178	2.3/2.9	3.0/2.6	1.15	445
77/25	M2CA 280 SMA	3GCA 288 214-••A	1486/991	93.9/89.3	0.83/0.76	144/54	7.6/7.7	495/241	2.4/3.2	2.9/2.7	1.4	490
90/28	M2CA 280 MB	3GCA 288 324-••A	1485/991	94.2/89.8	0.86/0.78	161/58	7.4/7.7	579/270	2.3/3.2	2.7/2.8	1.7	550
110/32	M2CA 315 SMA	3GCA 318 214-••A	1489/992	95.2/91.2	0.85/0.78	199/67	6.6/6.5	706/308	1.9/2.8	2.6/2.9	2.3	730
125/37	M2CA 315 MB	3GCA 318 324-••A	1488/992	95.5/92.2	0.86/0.79	219/75	6.6/6.4	802/356	1.9/2.9	2.4/2.8	2.9	850
150/44	M2CA 315 LA	3GCA 318 514-••A	1488/991	95.7/92.6	0.87/0.79	260/88	6.6/6.4	963/424	1.9/3.0	2.4/2.7	3.5	970
1500/750 r/min = 4 - 8 poles			400 V 50 Hz			Fan drive, Dahlander-connection						
65/15	M2CA 280 SA	3GCA 288 119-••A	1484/743	93.2/90.0	0.84/0.63	121/38	7.5/5.3	418/193	2.7/2.8	2.9/2.3	1.15	445
80/20	M2CA 280 SMA	3GCA 288 219-••A	1486/743	93.8/91.5	0.83/0.63	150/50	8.5/5.4	514/257	3.3/2.9	3.4/2.6	1.4	490
90/23	M2CA 280 MB	3GCA 288 329-••A	1486/742	94.1/91.8	0.85/0.64	164/56	8.8/5.4	578/296	3.6/2.8	3.5/2.6	1.7	550
110/22	M2CA 315 SMA	3GCA 318 219-••A	1487/744	94.6/92.5	0.85/0.62	197/56	6.8/4.9	706/282	1.9/2.1	2.6/2.5	2.3	730
132/26	M2CA 315 MB	3GCA 318 329-••A	1486/746	94.9/93.0	0.86/0.64	235/65	6.8/4.8	848/334	2.0/2.0	2.6/2.4	2.9	850
160/32	M2CA 315 LA	3GCA 318 519-••A	1486/743	95.2/93.4	0.86/0.64	283/80	7.0/4.8	1028/411	2.1/2.1	2.7/2.5	3.5	970
1500/1000 r/min = 4/6 poles			400 V 50 Hz			Constant torque, two separate windings						
50/32	M2CA 280 SA	3GCA 289 114-••A	1486/987	92.0/90.5	0.84/0.78	94/65	6.9/6.2	321/310	2.0/2.5	2.6/2.2	1.15	445
60/40	M2CA 280 SMA	3GCA 289 214-••A	1486/987	92.6/91.8	0.85/0.78	111/82	7.1/6.6	386/387	2.1/2.8	2.7/2.3	1.4	490
70/47	M2CA 280 MB	3GCA 289 324-••A	1488/989	93.2/92.6	0.84/0.77	131/96	8.0/7.4	450/454	2.6/3.4	3.1/2.5	1.7	550
90/60	M2CA 315 SMA	3GCA 319 214-••A	1488/990	94.3/93.5	0.86/0.77	161/121	5.9/5.8	577/579	1.5/2.6	2.3/2.4	2.3	730
110/75	M2CA 315 MB	3GCA 319 324-••A	1490/989	94.9/93.9	0.86/0.79	195/147	6.8/5.6	705/724	1.9/2.7	2.6/2.3	2.9	850
132/90	M2CA 315 LA	3GCA 319 514-••A	1489/990	95.1/94.1	0.85/0.76	238/181	6.7/6.0	847/868	1.9/3.1	2.7/2.7	3.5	970
160/110	M2CA 315 LB	3GCA 319 524-••A	1491/990	95.3/94.5	0.85/0.79	287/213	7.2/5.8	1025/1061	2.1/2.8	2.7/2.3	3.9	1000
1500/750 r/min = 4 - 8 poles			400 V 50 Hz			Constant torque, Dahlander-connection						
50/32	M2CA 280 SA	3GCA 289 119-••A	1486/743	92.7/91.8	0.88/0.70	89/72	7.2/6.9	321/411	1.9/2.7	2.6/2.5	1.85	460
65/40	M2CA 280 SMA	3GCA 289 219-••A	1486/743	93.1/92.0	0.88/0.69	115/92	7.7/7.2	418/514	2.1/3.1	2.7/2.7	2.2	500
85/50	M2CA 280 MB	3GCA 289 329-••A	1487/743	93.8/92.8	0.88/0.68	149/115	8.5/7.7	546/643	2.5/3.4	2.9/2.9	2.85	575
100/65	M2CA 315 SMA	3GCA 319 219-••A	1487/742	94.2/93.8	0.89/0.74	174/137	6.5/6.3	642/836	1.5/2.1	2.6/2.5	4.1	755
120/75	M2CA 315 MB	3GCA 319 329-••A	1486/742	94.5/94.1	0.90/0.74	204/155	7.0/6.5	739/965	1.7/2.2	2.6/2.6	4.9	845
150/95	M2CA 315 LA	3GCA 319 519-••A	1486/742	94.7/94.2	0.89/0.72	262/204	7.2/6.5	964/1223	2.0/2.4	2.8/2.6	5.8	950

The two bullets in the product code indicate choice of mounting arrangement, voltage and frequency (see ordering information page).

General purpose steel motors - Variant codes

Code ¹⁾	Variant	Motor size			
		280	315	355	400
Balancing					
052	Vibration acc. to grade A (IEC 60034-14).	S	S	S	S
417	Vibration acc. to grade B (IEC 60034-14).	P	P	P	P
423	Balanced without key.	P	P	P	P
424	Full key balancing.	P	P	P	P
Bearings and lubrication					
036	Transport lock for bearings.	M	M	M	P
037	Roller bearing at D-end.	M	M	M	R
040	Heat resistant grease (-25... +150°C).	M	M	M	P
041	Bearings regreasable via grease nipples.	S	S	S	S
042	Locked drive-end. Standard for sizes 112-132, flanged versions.	S	S	S	S
043	SPM nipples.	M	M	M	P
058	Angular contact ball bearing at D-end, shaft force away from bearing. Transport lock included.	P	P	P	P
060	Angular contact ball bearing at D-end, shaft force towards bearing.	P	P	P	P
107	Pt100 2-wire in bearings.	P	P	P	P
130	Pt100 3-wire in bearings.	P	P	P	P
188	63-series bearings.	S	S	S	S
420	Bearing mounted PTC thermistors.	P	P	P	P
796	Grease nipples JIS B 1575 PT 1/8 Type A. Stainless steel. Head type to be defined when ordering.	M	M	M	P
Branch standard designs					
142	"Manilla connection".	P	P	R	R
178	Stainless steel/acid proof bolts.	P	P	P	P
209	Non-standard voltage or frequency (special winding).	P	P	P	P
425	Corrosion protected stator and rotor core.	P	P	P	P
Cooling system					
044	Unidirectional fan, clockwise seen from D-end.	P	P	P	P
045	Unidirectional fan, counter clockwise seen from D-end.	P	P	P	P
053	Metal fan cover.	S	S	S	S
068	Metal fan.	P	P	P	P
075	Cooling method IC 418 (without fan).	R	R	R	R
Coupling					
035	Assembly of customer supplied coupling-half.	P	P	P	P
Dimension drawing					
141	Binding dimension drawing.	M	M	M	M
Drain holes					
065	Plugged existing drain holes.	M	M	M	P
Earthing bolt					
067	External earthing bolt.	M	M	M	P

¹⁾ Certain variant codes cannot be used simultaneously.

S = Included as standard

M = On modification of a stocked motor, or on new manufacture, the number per order may be limited.

P = New manufacture only.

R = On request.

NA = Not applicable

Code	Variant	Motor size			
		280	315	355	400
1)					
Heating elements					
450	Heating element, 100-120 V.	M	M	M	P
451	Heating element, 200-240 V.	M	M	M	P
Mounting arrangements					
009	IM 2001 foot/flange mounted, IEC flange, from IM 1001 (B35 from B3).	M	M	M	P
066	Modified for non-standard mounting position. (please specify IM xxxx). (must be ordered for all mounting arrangements excluding IM B3 (1001) and B5 (3001).	M	M	M	P
Painting					
114	Special paint colour, standard grade. RAL-colour no. must be specified.	M	M	M	P
179	Special paint specification.	R	R	R	R
Protection					
005	Metal protective roof, vertical motor, shaft down.	M	M	M	P
072	Radial seal at D-end.	M	M	M	P
158	Degree of protection IP 65. Dust proof version.	M	M	M	P
403	Degree of protection IP 56.	M	M	M	P
Rating & instruction plates					
002	Restamping voltage, frequency and output, continuous duty.	M	M	M	P
003	Individual serial number.	S	S	S	S
095	Restamping output (maintained voltage, frequency), intermittent duty.	M	M	M	P
135	Mounting of additional identification plate, stainless.	M	M	M	P
139	Additional identification plate delivered loose.	M	M	M	P
161	Additional rating plate delivered loose.	M	M	M	P
Shaft & rotor					
069	Two shaft extensions as per basic catalogue.	P	P	P	P
070	One or two special shaft extensions, standard shaft material.	P	P	P	P
165	Shaft extension with open keyway.	S	S	S	S
410	Stainless steel shaft (standard or non-std design).	P	P	P	P
Standards and regulations					
010	Fulfilling CSA Safety Certificate.	P	P	P	P
Stator winding temperature sensors					
120	KTY 84-130 (1 per phase) in stator winding.	P	P	P	P
121	Bimetal detectors, break type (NCC), (3 in series), 130°C, in stator winding.	M	M	M	P
122	Bimetal detectors, break type (NCC), (3 in series), 150°C, in stator winding.	M	M	M	P
123	Bimetal detectors, break type (NCC), (3 in series), 170°C, in stator winding.	M	M	M	P
125	Bimetal detectors, break type (NCC), (2x3 in series), 150°C, in stator winding.	M	M	M	P
127	Bimetal detectors, break type (NCC), (3 in series, 130°C & 3 in series, 150°C), in stator winding.	M	M	M	P
435	PTC - thermistors (3 in series), 130°C, in stator winding.	M	M	M	P
436	PTC - thermistors (3 in series), 150°C, in stator winding.	S	S	S	S
437	PTC - thermistors (3 in series), 170°C, in stator winding.	M	M	M	P
439	PTC - thermistors (2x3 in series), 150°C, in stator winding.	M	M	M	P

1) Certain variant codes cannot be used simultaneously.

S = Included as standard
M = On modification of a stocked motor,
or on new manufacture,
the number per order may be limited.

P = New manufacture only.
R = On request.
NA = Not applicable

Code ¹⁾	Variant	Motor size			
		280	315	355	400
441	PTC - thermistors (3 in series 130°C & 3 in series 150°C), in stator winding.	M	M	M	M
442	PTC - thermistors (3 in series 150°C & 3 in series 170°C), in stator winding.	M	M	M	M
445	Pt100 2-wire in stator winding, 1 per phase.	M	M	M	P
446	Pt100 2-wire in stator winding, 2 per phase.	M	M	M	P
502	Pt100 3-wire in stator winding, 1 per phase.	M	M	M	P
503	Pt100 3-wire in stator winding, 2 per phase.	M	M	M	P

Terminal box

019	Larger than standard terminal box.	R	R	R	R
021	Terminal box LHS, seen from D-end (= L prod.code).	P	P	P	P
180	Terminal box RHS, seen from D-end (= L prod.code).	P	P	P	P
136	Extended cable connection, standard terminal box.	R	R	R	R
137	Extended cable connection, low terminal box., "Flying leads".	R	R	R	R
157	Terminal box degree of protection IP 65.	M	M	M	P
187	Cable glands of non-standard design.	R	R	R	R
230	Standard metal cable glands.	S	S	S	S
402	Terminal box adapted for Al cables.	S	S	S	S
413	Extended cable connection, no terminal box.	P	P	P	P
418	Separate terminal box for auxiliaries, standard material.	P	P	P	P
468	Cable entry from D-end.	P	P	P	P
469	Cable entry from N-end.	P	P	P	P
731	Two standard metal cable glands.	S	S	S	S

Testing

145	Type test report from a catalogue motor, 400 V 50 Hz.	M	M	M	P
146	Type test with report for motor from specific delivery batch.	P	P	P	P
147	Type test with report for motor from spec del batch, customer witnessed.	P	P	P	P
148	Routine test report. Witnessed routine test = 146.	M	M	M	P
149	Testing according to separate test specification.	R	R	R	R
221	Type test and multi-point load test with report for motor from specific delivery batch.	R	R	R	R
222	Torque/speed curve, type test and multi-point load test with report for motor from specific delivery batch.	P	P	P	P
760	Vibration level test.	P	P	P	P
761	Vibration spectrum test.	P	P	P	P
762	Noise level test.	P	P	P	P
763	Noise spectrum test.	P	P	P	P

Variable speed drives

701	Insulated bearing at N-end. For fan and pump duty up to 500 V.	M	M	M	P
-----	--	---	---	---	---

Y/D-starting

117	Terminals for Y/D start at both speeds. (two-speed separate windings).	P	P	R	R
118	Terminals for Y/D start at high speed. (two-speed separate windings).	P	P	R	R
119	Terminals for Y/D start at low speed (two-speed separate windings).	P	P	R	R

¹⁾ Certain variant codes cannot be used simultaneously.

S = Included as standard
M = On modification of a stocked motor, or on new manufacture, the number per order may be limited.

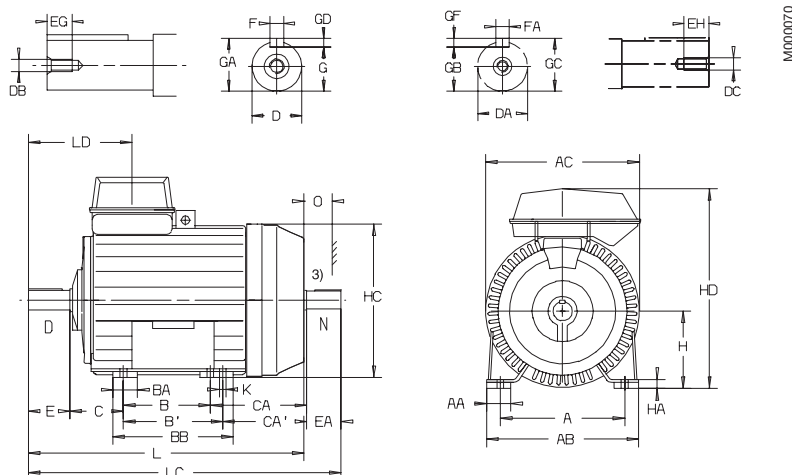
P = New manufacture only.
R = On request.
NA = Not applicable

General purpose steel motors

Sizes 280-315

Dimension drawings

Foot-mounted; IM B3 (IM 1001), IM B6 (IM 1051), IM B7 (IM 1061), IM B8 (IM 1071), IM V5 (IM 1011), IM V6 (IM 1031) – terminal box top mounted



Motor size	Poles ¹⁾	A	AA	AB	AC	B	B'	BA	BB	C	CA	CA'	D	DA	DB	DC	E	EA	EG	EH
280 SA	2	457	80	545	555	368	-	100	501	190	372	-	65	60	M20	M20	140	140	40	40
	4-8	457	80	545	555	368	-	100	450	190	302	-	75	65	M20	M20	140	140	40	40
280 SMA	2	457	80	545	555	368	419	100	501	190	372	321	65	60	M20	M20	140	140	40	40
	4-8	457	80	545	555	368	419	100	501	190	372	321	75	65	M20	M20	140	140	40	40
280 MB	2	457	80	545	555	419	-	100	501	190	381	-	65	60	M20	M20	140	140	40	40
	4-8	457	80	545	555	419	-	100	501	190	381	-	75	65	M20	M20	140	140	40	40
280 MC,MD	2	457	80	545	555	419	-	100	501	190	381	-	65	60	M20	M20	140	140	40	40
	4-8	457	80	545	555	419	-	100	501	190	381	-	75	65	M20	M20	140	140	40	40
315 SA	2	508	100	622	624	406	-	100	539	216	343	-	65	60	M20	M20	140	140	40	40
	4-8	508	100	622	624	406	-	100	539	216	343	-	80	75	M20	M20	170	140	40	40
315 SMA	2	508	100	622	624	406	457	100	539	216	443	392	65	60	M20	M20	140	140	40	40
	4-8	508	100	622	624	406	457	100	539	216	343	292	80	75	M20	M20	170	140	40	40
315 MB	2	508	100	622	624	457	-	100	539	216	392	-	65	60	M20	M20	140	140	40	40
	4-8	508	100	622	624	457	-	100	539	216	392	-	80	75	M20	M20	170	140	40	40
315 LA	2	508	100	622	624	508	-	100	592	216	411	-	65	60	M20	M20	140	140	40	40
	4-8	508	100	622	624	508	-	100	592	216	411	-	90	75	M24	M20	170	140	48	40
315 LB,LC	2	508	100	622	624	508	-	100	592	216	411	-	65	60	M20	M20	140	140	40	40
	4-8	508	100	622	624	508	-	100	592	216	411	-	90	75	M24	M20	170	140	48	40

Motor size	Poles ¹⁾	F	FA	G	GA	GB	GC	GD	GF	H	HA	HC	HD	K	L	LC	LD	O ²⁾
280 SA	2	18	18	58	69	53	64	11	11	280	32	558	730	24	1060	1210	385	100
	4-8	20	18	67.5	79.5	58	69	12	11	280	32	558	730	24	990	1140	385	100
280 SMA	2	18	18	58	69	53	64	11	11	280	32	558	730	24	1060	1210	385	100
	4-8	20	18	67.5	79.5	58	69	12	11	280	32	558	730	24	1060	1210	385	100
280 MB	2	18	18	58	69	53	64	11	11	280	32	558	730	24	1120	1270	385	100
	4-8	20	18	67.5	79.5	58	69	12	11	280	32	558	730	24	1120	1270	385	100
280 MC	2	18	18	58	69	53	64	11	11	280	32	555	730	24	1255	1405	385	100
	4-8	20	18	67.5	79.5	58	69	12	11	280	32	558	730	24	1255	1405	385	100
280 MD	2	18	18	58	69	53	64	11	11	280	32	558	730	24	1255	1405	385	100
	4-8	20	18	67.5	79.5	58	69	12	11	280	32	558	730	24	1255	1405	385	100
315 SA	2	18	18	58	69	53	64	11	11	315	32	627	820	28	1095	1245	390	115
	4-8	22	20	71	85	67.5	79.5	14	12	315	32	627	820	28	1125	1275	420	115
315 SMA	2	18	18	58	69	53	64	11	11	315	32	627	820	28	1195	1345	390	115
	4-8	22	20	71	85	67.5	79.5	14	12	315	32	627	820	28	1125	1275	420	115
315 MB	2	18	18	58	69	53	64	11	11	315	32	627	820	28	1195	1345	390	115
	4-8	22	20	71	85	67.5	79.5	14	12	315	32	627	820	28	1225	1375	420	115
315 LA	2	18	18	58	69	53	64	11	11	315	32	627	820	28	1265	1415	390	115
	4-8	25	20	81	95	67.5	79.5	14	12	315	32	627	820	28	1295	1445	420	115
315 LB	2	18	18	58	69	53	64	11	11	315	32	627	820	28	1545	1695	390	115
	4-8	25	20	81	95	67.5	79.5	14	12	315	32	627	820	28	1575	1725	420	115
315 LC	2	18	18	58	69	53	64	11	11	315	32	627	848	28	1545	1695	390	115
	4	25	20	81	95	67.5	79.5	14	12	315	32	627	848	28	1575	1725	420	115

Tolerances:

A, B ISO js14 H ISO 0, -1.0
 D, DA ISO m6
 F, FA ISO h9

- 1) Dimensions for 4-pole motors also valid for 4/6- and 4-8 -pole two-speed motors.
- 2) Cooling distance.
- 3) Second shaft end on request.

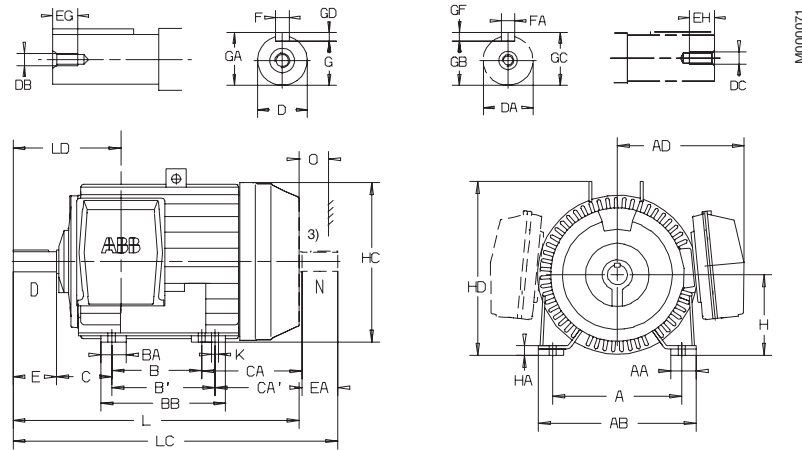
Above dimensions are in mm.
 For detailed drawings please see our web pages 'www.abb.com/motors&drives' or contact us.

General purpose steel motors

Sizes 280-315

Dimension drawings

Foot-mounted; IM B3 (IM 1001), IM B6 (IM 1051), IM B7 (IM 1061), IM B8 (IM 1071), IM V5 (IM 1011), IM V6 (IM 1031) – terminal box side mounted



Motor size	Poles ¹⁾	A	AA	AB	AD	B	B'	BA	BB	C	CA	CA'	D	DA	DB	DC	E	EA	EG	EH
280 SA	2	457	80	545	448	368	–	100	501	190	372	–	65	60	M20	M20	140	140	40	40
	4-8	457	80	545	448	368	–	100	450	190	302	–	75	65	M20	M20	140	140	40	40
280 SMA	2	457	80	545	448	368	419	100	501	190	372	321	65	60	M20	M20	140	140	40	40
	4-8	457	80	545	448	368	419	100	501	190	372	321	75	65	M20	M20	140	140	40	40
280 MB	2	457	80	545	448	419	–	100	501	190	381	–	65	60	M20	M20	140	140	40	40
	4-8	457	80	545	448	419	–	100	501	190	381	–	75	65	M20	M20	140	140	40	40
280 MC,MD	2	457	80	545	448	419	–	100	501	190	381	–	65	60	M20	M20	140	140	40	40
	4-8	457	80	545	448	419	–	100	501	190	381	–	75	65	M20	M20	140	140	40	40
315 SA	2	508	100	622	502	406	–	100	539	216	343	–	65	60	M20	M20	140	140	40	40
	4-8	508	100	622	502	406	–	100	539	216	343	–	80	75	M20	M20	170	140	40	40
315 SMA	2	508	100	622	502	406	457	100	539	216	443	392	65	60	M20	M20	140	140	40	40
	4-8	508	100	622	502	406	457	100	539	216	343	292	80	75	M20	M20	170	140	40	40
315 MB	2	508	100	622	502	457	–	100	539	216	392	–	65	60	M20	M20	140	140	40	40
	4-8	508	100	622	502	457	–	100	539	216	392	–	80	75	M20	M20	170	140	40	40
315 LA	2	508	100	622	502	508	–	100	592	216	411	–	65	60	M20	M20	140	140	40	40
	4-8	508	100	622	502	508	–	100	592	216	411	–	90	75	M24	M20	170	140	48	40
315 LB,LC	2	508	100	622	502	508	–	100	592	216	411	–	65	60	M20	M20	140	140	40	40
	4-8	508	100	622	502	508	–	100	592	216	411	–	90	75	M24	M20	170	140	48	40

Motor size	Poles ¹⁾	F	FA	G	GA	GB	GC	GD	GF	H	HA	HC	HD	K	L	LC	LD	O ²⁾
280 SA	2	18	18	58	69	53	64	11	11	280	32	558	620	24	1060	1210	385	100
	4-8	20	18	67.5	79.5	58	69	12	11	280	32	558	620	24	990	1140	385	100
280 SMA	2	18	18	58	69	53	64	11	11	280	32	558	620	24	1060	1210	385	100
	4-8	20	18	67.5	79.5	58	69	12	11	280	32	558	620	24	1060	1210	385	100
280 MB	2	18	18	58	69	53	64	11	11	280	32	558	620	24	1120	1270	385	100
	4-8	20	18	67.5	79.5	58	69	12	11	280	32	558	620	24	1120	1270	385	100
280 MC	2	18	18	58	69	53	64	11	11	280	32	558	620	24	1255	1405	385	100
	4-8	20	18	67.5	79.5	58	69	12	11	280	32	558	620	24	1255	1405	385	100
280 MD	2	18	18	58	69	53	64	11	11	280	32	558	620	24	1255	1405	385	100
	4-8	20	18	67.5	79.5	58	69	12	11	280	32	558	620	24	1255	1405	385	100
315 SA	2	18	18	58	69	53	64	11	11	315	32	627	685	28	1095	1245	390	115
	4-8	22	20	71	85	67.5	79.5	14	12	315	32	627	685	28	1125	1275	420	115
315 SMA	2	18	18	58	69	53	64	11	11	315	32	627	685	28	1195	1345	390	115
	4-8	22	20	71	85	67.5	79.5	14	12	315	32	627	685	28	1125	1275	420	115
315 MB	2	18	18	58	69	53	64	11	11	315	32	627	685	28	1195	1345	390	115
	4-8	22	20	71	85	67.5	79.5	14	12	315	32	627	685	28	1225	1375	420	115
315 LA	2	18	18	58	69	53	64	11	11	315	32	627	685	28	1265	1415	390	115
	4-8	25	20	81	95	67.5	79.5	14	12	315	32	627	685	28	1295	1445	420	115
315 LB,LC	2	18	18	58	69	53	64	11	11	315	32	627	685	28	1545	1695	390	115
	4-8	25	20	81	95	67.5	79.5	14	12	315	32	627	685	28	1575	1575	420	115

Tolerances:

A, B ISO js14 H ISO 0, -1.0
 D, DA ISO m6
 F, FA ISO h9

- 1) Dimensions for 4-pole motors also valid for 4/6- and 4-8 -pole two-speed motors.
- 2) Cooling distance.
- 3) Second shaft end on request.

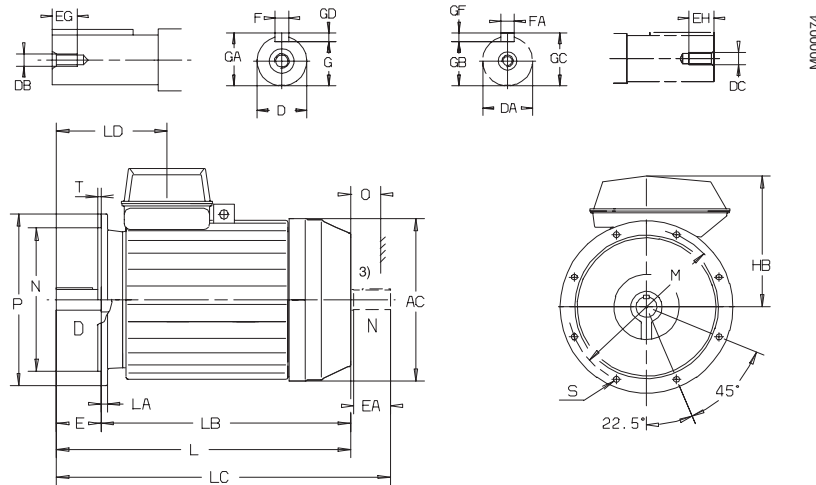
Above dimensions are in mm.
 For detailed drawings please see our web-pages 'www.abb.com/motors&drives' or contact us.

General purpose steel motors

Sizes 280-315

Dimension drawings

Flange-mounted; IM B5 (IM 3001), V1 (IM 3011), V3 (IM 3031) and IM B14 (IM 3601), V18 (IM 3611), V19 (IM 3631)



Motor size	Poles 1)	AC	D	DA	DB	DC	E	EA	EG	EH	F	FA	G	GA	GB	GC
280 SA	2	555	65	60	M20	M20	140	140	40	40	18	18	58	69	53	64
	4-8	555	75	65	M20	M20	140	140	40	40	20	18	67.5	79.5	58	69
280 SMA	2	555	65	60	M20	M20	140	140	40	40	18	18	58	69	53	64
	4-8	555	75	65	M20	M20	140	140	40	40	20	18	67.5	79.5	58	69
280 MB	2	555	65	60	M20	M20	140	140	40	40	18	18	58	69	53	64
	4-8	555	75	65	M20	M20	140	140	40	40	20	18	67.5	79.5	58	69
280 MC,MD	2	555	65	60	M20	M20	140	140	40	40	18	18	58	69	53	64
	4-8	555	75	65	M20	M20	140	140	40	40	20	18	67.5	79.5	58	69
315 SA	2	624	65	60	M20	M20	140	140	40	40	18	18	58	69	53	64
	4-8	624	80	75	M20	M20	170	140	40	40	22	20	71	85	67.5	79.5
315 SMA	2	624	65	60	M20	M20	140	140	40	40	18	18	58	69	53	64
	4-8	624	80	75	M20	M20	170	140	40	40	22	20	71	85	67.5	79.5
315 MB	2	624	65	60	M20	M20	140	140	40	40	18	18	58	69	53	64
	4-8	624	80	75	M20	M20	170	140	40	40	22	20	71	85	67.5	79.5
315 LA	2	624	65	60	M20	M20	140	140	40	40	18	18	58	69	53	64
	4-8	624	90	75	M24	M20	170	140	48	40	25	20	81	95	67.5	79.5
315 LB,LC	2	624	65	60	M20	M20	140	140	40	40	18	18	58	69	53	64
	4-8	624	90	75	M24	M20	170	140	48	40	25	20	81	95	67.5	79.5

Motor size	Poles 1)	GD	GF	HB	L	LA	LB	LC	LD	M	N	O 2)	P	S	T
280 SA	2	11	11	450	1060	22	920	1210	385	500	450	100	550	18	5
	4-8	12	11	450	990	22	850	1140	385	500	450	100	550	18	5
280 SMA	2	11	11	450	1060	22	920	1210	385	500	450	100	550	18	5
	4-8	12	11	450	1060	22	920	1210	385	500	450	100	550	18	5
280 MB	2	11	11	450	1120	22	980	1270	385	500	450	100	550	18	5
	4-8	12	11	450	1120	22	980	1270	385	500	450	100	550	18	5
280 MC	2	11	11	450	1255	22	980	1405	385	500	450	100	550	18	5
	4-8	12	11	450	1255	22	980	1405	385	500	450	100	550	18	5
280 MD	2	11	11	450	1255	22	980	1405	385	500	450	100	550	18	5
	4-8	12	11	450	1255	22	980	1405	385	500	450	100	550	18	5
315 SA	2	11	11	505	1095	25	955	1245	390	600	550	115	660	23	6
	4-8	14	12	505	1125	25	955	1275	420	600	550	115	660	23	6
315 SMA	2	11	11	505	1195	25	1055	1345	390	600	550	115	660	23	6
	4-8	14	12	505	1125	25	955	1275	420	600	550	115	660	23	6
315 MB	2	11	11	505	1195	25	1055	1345	390	600	550	115	660	23	6
	4-8	14	12	505	1225	25	1055	1375	420	600	550	115	660	23	6
315 LA	2	11	11	505	1265	25	1125	1415	390	600	550	115	660	23	6
	4-8	14	12	505	1295	25	1125	1445	420	600	550	115	660	23	6
315 LB	2	11	11	505	1545	25	1125	1415	390	600	550	115	660	23	6
	4-8	14	12	505	1575	25	1405	1725	420	600	550	115	660	23	6
315 LC	2	11	11	505	1545	25	1125	1415	390	600	550	115	660	23	6
	4-8	14	12	526	1575	25	1405	1725	420	600	550	115	660	23	6

Tolerances:

D,DA ISO m6
F, FA ISO h9
N ISO j6

- 1) Dimensions for 4-pole motors also valid for 4/6- and 4-8 -pole two-speed motors.
- 2) Cooling distance.
- 3) Second shaft end on request.

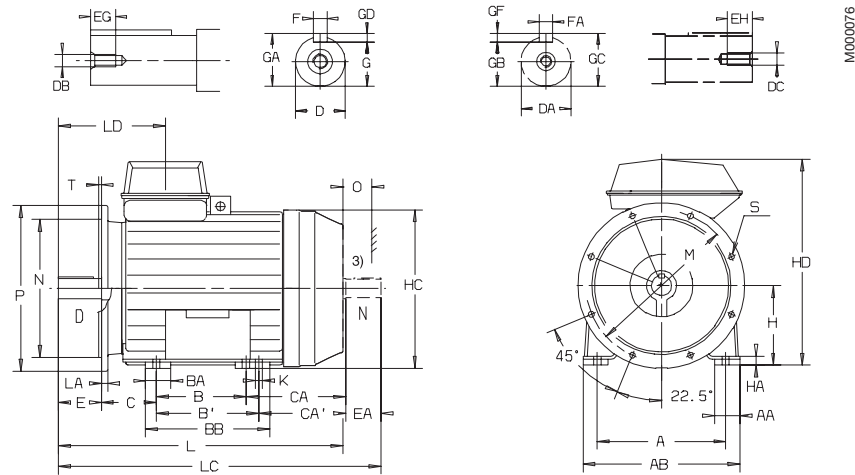
Above dimensions are in mm.
For detailed drawings please see our web-pages 'www.abb.com/motors&drives' or contact us.

General purpose steel motors

Sizes 280-315

Dimension drawings

Foot- and flange-mounted; IM B35 (IM 2001), IM V15 (IM 2011), IM V36 (IM 2031) – terminal box top mounted



M000076

Motor size	Poles ¹⁾	A	AA	AB	B	B'	BA	BB	C	CA	CA'	D	DA	DB	DC	E	EA	EG	EH	F	FA
280 SA	2	457	80	545	368	-	100	501	190	372	-	65	60	M20	M20	140	140	40	40	18	18
	4-8	457	80	545	368	-	100	501	190	302	-	75	65	M20	M20	140	140	40	40	20	18
280 SMA	2	457	80	545	368	419	100	501	190	372	321	65	60	M20	M20	140	140	40	40	18	18
	4-8	457	80	545	368	419	100	501	190	372	321	75	65	M20	M20	140	140	40	40	20	18
280 MB	2	457	80	545	419	-	100	501	190	381	-	65	60	M20	M20	140	140	40	40	18	18
	4-8	457	80	545	419	-	100	501	190	381	-	75	65	M20	M20	140	140	40	40	20	18
280 MC,MD	2	457	80	545	419	-	100	501	190	381	-	65	60	M20	M20	140	140	40	40	18	18
	4-8	457	80	545	419	-	100	501	190	381	-	75	65	M20	M20	140	140	40	40	20	18
315 SA	2	508	100	622	406	-	100	539	216	343	-	65	60	M20	M20	140	140	40	40	18	18
	4-8	508	100	622	406	-	100	539	216	343	-	80	75	M20	M20	170	140	40	40	22	20
315 SMA	2	508	100	622	406	457	100	539	216	443	392	65	60	M20	M20	140	140	40	40	18	18
	4-8	508	100	622	406	457	100	539	216	443	392	80	75	M20	M20	170	140	40	40	22	20
315 MB	2	508	100	622	457	-	100	539	216	392	-	65	60	M20	M20	140	140	40	40	18	18
	4-8	508	100	622	457	-	100	539	216	392	-	80	75	M20	M20	170	140	40	40	22	20
315 LA	2	508	100	622	508	-	100	592	216	411	-	65	60	M20	M20	140	140	40	40	18	18
	4-8	508	100	622	508	-	100	592	216	411	-	90	75	M24	M20	170	140	48	40	25	20
315 LB,LC	2	508	100	622	508	-	100	592	216	411	-	65	60	M20	M20	140	140	40	40	18	18
	4-8	508	100	622	508	-	100	592	216	411	-	90	75	M24	M20	170	140	48	40	25	20

Motor size	Poles ¹⁾	G	GA	GB	GC	GD	GF	H	HA	HC	HD	K	L	LA	LC	LD	M	N	O ²⁾	P	S	T
280 SA	2	58	69	53	64	11	11	280	32	558	730	24	1060	22	1210	385	500	450	100	550	18	5
	4-8	67.5	79.5	58	69	12	11	280	32	558	730	24	990	22	1140	385	500	450	100	550	18	5
280 SMA	2	58	69	53	64	11	11	280	32	558	730	24	1060	22	1210	385	500	450	100	550	18	5
	4-8	67.5	79.5	58	69	12	11	280	32	558	730	24	1060	22	1210	385	500	450	100	550	18	5
280 MB	2	58	69	53	64	11	11	280	32	558	730	24	1120	22	1270	385	500	450	100	550	18	5
	4-8	67.5	79.5	58	69	12	11	280	32	558	730	24	1120	22	1270	385	500	450	100	550	18	5
280 MC	2	58	69	53	64	11	11	280	32	558	730	24	1255	22	1405	385	500	450	100	550	18	5
	4-8	67.5	79.5	58	69	12	11	280	32	558	730	24	1225	22	1405	385	500	450	100	550	18	5
280 MD	2	58	69	53	64	11	11	280	32	558	730	24	1255	22	1405	385	500	450	100	550	18	5
	4-8	67.5	79.5	58	69	12	11	280	32	558	730	24	1255	22	1405	385	500	450	100	550	18	5
315 SA	2	58	69	53	64	11	11	315	32	627	820	28	1095	25	1245	390	600	550	115	660	23	6
	4-8	71	85	67.5	79.5	14	12	315	32	627	820	28	1125	25	1275	420	600	550	115	660	23	6
315 SMA	2	58	69	53	64	11	11	315	32	627	820	28	1195	25	1345	390	600	550	115	660	23	6
	4-8	71	85	67.5	79.5	14	12	315	32	627	820	28	1125	25	1275	420	600	550	115	660	23	6
315 MB	2	58	69	53	64	11	11	315	32	627	820	28	1195	25	1345	390	600	550	115	660	23	6
	4-8	71	85	67.5	79.5	14	12	315	32	627	820	28	1225	25	1375	420	600	550	115	660	23	6
315 LA	2	58	69	53	64	11	11	315	32	627	820	28	1265	25	1415	390	600	550	115	660	23	6
	4-8	81	95	67.5	79.5	14	12	315	32	627	820	28	1295	25	1445	420	600	550	115	660	23	6
315 LB	2	58	69	53	64	11	11	315	32	627	820	28	1545	25	1695	390	600	550	115	660	23	6
	4-8	81	95	67.5	79.5	14	12	315	32	627	820	28	1575	25	1725	420	600	550	115	660	23	6
315 LC	2	58	69	53	64	11	11	315	32	627	848	28	1545	25	1695	390	600	550	115	660	23	6
	4	81	95	67.5	79.5	14	12	315	32	627	848	28	1575	25	1725	420	600	550	115	660	23	6

Tolerances:

A, B	ISO js14	H	ISO 0, -1.0
D, DA	ISO m6	N	ISO j6
F, FA	ISO h9		

1) Dimensions for 4-pole motors also valid for 4/6- and 4-8-pole two-speed motors.

2) Cooling distance.

3) Second shaft end on request.

Above dimensions are in mm.

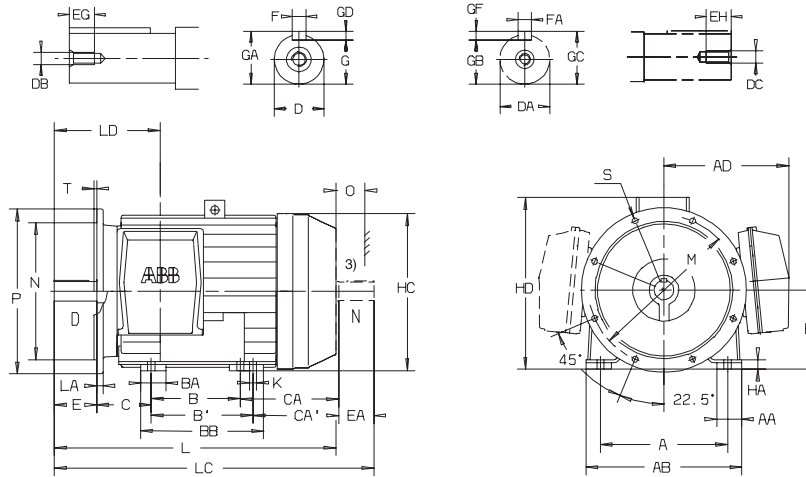
For detailed drawings please see our web-pages 'www.abb.com/motors&drives' or contact us.

General purpose steel motors

Sizes 280-315

Dimension drawings

Foot- and flange-mounted; IM B35 (IM 2001), IM V15 (IM 2011), IM V36 (IM 2031) – terminal box side mounted



M000077

Motor size	Poles	A	AA	AB	AD	B	B'	BA	BB	C	CA	CA'	D	DA	DB	DC	E	EA	EG	EH	F	FA
280 SA	2	457	80	545	448	368	-	100	501	190	372	-	65	60	M20	M20	140	140	40	40	18	18
	4-8	457	80	545	448	368	-	100	501	190	302	-	75	65	M20	M20	140	140	40	40	20	18
280 SMA	2	457	80	545	448	368	419	100	501	190	372	321	65	60	M20	M20	140	140	40	40	18	18
	4-8	457	80	545	448	368	419	100	501	190	372	321	75	65	M20	M20	140	140	40	40	20	18
280 MB	2	457	80	545	448	419	-	100	501	190	381	-	65	60	M20	M20	140	140	40	40	18	18
	4-8	457	80	545	448	419	-	100	501	190	381	-	75	65	M20	M20	140	140	40	40	20	18
280 MC,MD	2	457	80	545	448	419	-	100	501	190	381	-	65	60	M20	M20	140	140	40	40	18	18
	4-8	457	80	545	448	419	-	100	501	190	381	-	75	65	M20	M20	140	140	40	40	20	18
315 SA	2	508	100	622	502	406	-	100	539	216	343	-	65	60	M20	M20	140	140	40	40	18	18
	4-8	508	100	622	502	406	-	100	539	216	343	-	80	75	M20	M20	170	140	40	40	22	20
315 SMA	2	508	100	622	502	406	457	100	539	216	443	392	65	60	M20	M20	140	140	40	40	18	18
	4-8	508	100	622	502	406	457	100	539	216	443	292	80	75	M20	M20	170	140	40	40	22	20
315 MB	2	508	100	622	502	457	-	100	539	216	392	-	65	60	M20	M20	140	140	40	40	18	18
	4-8	508	100	622	502	457	-	100	539	216	392	-	80	75	M20	M20	170	140	40	40	22	20
315 LA	2	508	100	622	502	508	-	100	592	216	411	-	65	60	M20	M20	140	140	40	40	18	18
	4-8	508	100	622	502	508	-	100	592	216	411	-	90	75	M24	M20	170	140	48	40	25	20
315 LB,LC	2	508	100	622	502	508	-	100	592	216	411	-	65	60	M20	M20	140	140	40	40	18	18
	4-8	508	100	622	502	508	-	100	592	216	411	-	90	75	M24	M20	170	140	48	40	25	20

Motor size	Poles	G	GA	GB	GC	GD	GF	H	HA	HC	HD	K	L	LC	LD	M	N	O	P	S	T
280 SA	2	58	69	53	64	11	11	280	32	558	620	24	1060	1210	385	500	450	100	550	18	5
	4-8	67.5	79.5	58	69	12	11	280	32	558	620	24	990	1140	385	500	450	100	550	18	5
280 SMA	2	58	69	53	64	11	11	280	32	558	620	24	1060	1210	385	500	450	100	550	18	5
	4-8	67.5	79.5	58	69	12	11	280	32	558	620	24	1060	1210	385	500	450	100	550	18	5
280 MB	2	58	69	53	64	11	11	280	32	558	620	24	1120	1270	385	500	450	100	550	18	5
	4-8	67.5	79.5	58	69	12	11	280	32	558	620	24	1120	1270	385	500	450	100	550	18	5
280 MC	2	58	69	53	64	11	11	280	32	558	620	24	1255	1405	385	500	450	100	550	18	5
	4-8	67.5	79.5	58	69	12	11	280	32	558	620	24	1255	1405	385	500	450	100	550	18	5
280 MD	2	58	69	53	64	11	11	280	32	558	620	24	1255	1405	385	500	450	100	550	18	5
	4-8	67.5	79.5	58	69	12	11	280	32	558	620	24	1255	1405	385	500	450	100	550	18	5
315 SA	2	58	69	53	64	11	11	315	32	627	685	28	1095	1245	390	600	550	115	660	23	6
	4-8	71	85	67.5	79.5	14	12	315	32	627	685	28	1125	1275	420	600	550	115	660	23	6
315 SMA	2	58	69	53	64	11	11	315	32	627	685	28	1195	1345	390	600	550	115	660	23	6
	4-8	71	85	67.5	79.5	14	12	315	32	627	685	28	1125	1275	420	600	550	115	660	23	6
315 MB	2	58	69	53	64	11	11	315	32	627	685	28	1195	1345	390	600	550	115	660	23	6
	4-8	71	85	67.5	79.5	14	12	315	32	627	685	28	1225	1375	420	600	550	115	660	23	6
315 LA	2	58	69	53	64	11	11	315	32	627	685	28	1265	1415	390	600	550	115	660	23	6
	4-8	81	95	67.5	79.5	14	12	315	32	627	685	28	1295	1445	420	600	550	115	660	23	6
315 LB,LC	2	58	69	53	64	11	11	315	32	627	685	28	1545	1695	390	600	550	115	660	23	6
	4-8	81	95	67.5	79.5	14	12	315	32	627	685	28	1575	1725	420	600	550	115	660	23	6

Tolerances:

A, B	ISO js14	H ISO 0, -1.0
D, DA	ISO m6	N ISO j6
F, FA	ISO h9	

- 1) Dimensions for 4-pole motors also valid for 4/6- and 4-8 -pole two-speed motors.
- 2) Cooling distance.
- 3) Second shaft end on request.

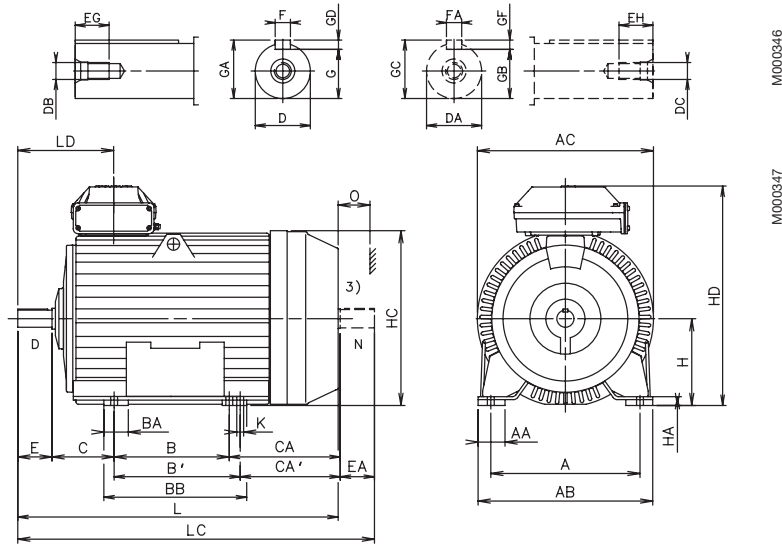
Above dimensions are in mm. For detailed drawings please see our web-pages 'www.abb.com/motors&drives' or contact us.

General purpose steel motors

Sizes 355-400

Dimension drawings

Foot-mounted; IM B3 (IM 1001), IM B6 (IM 1051), IM B7 (IM 1061), IM B8 (IM 1071), IM V5 (IM 1011), IM V6 (IM 1031) – terminal box top mounted



Motor size	Poles ¹⁾	A	AA	AB	AC	B	B'	BA	BB	C	CA	CA'	D	DA	DB	DC	E	EA	EG	EH
355 SA,SB	2	610	110	714	720	500	-	100	584	254	423	-	70	70	M20	M20	140	140	40	40
	4-8	610	110	714	720	500	-	100	584	254	423	-	100	90	M24	M20	210	170	48	48
355 MA	2	610	110	714	720	560	-	100	644	254	423	-	70	70	M20	M20	140	140	40	40
	4-8	610	110	714	720	560	-	100	644	254	423	-	100	90	M24	M24	210	170	48	48
355 MB	2	610	110	714	720	560	-	100	644	254	423	-	70	70	M20	M20	140	140	40	40
	4-8	610	110	714	720	560	-	100	644	254	423	-	100	90	M24	M24	210	170	48	48
355 LA	2	610	110	714	720	630	-	100	714	254	433	-	70	70	M20	M20	140	140	40	40
	4-8	610	110	714	720	630	-	100	714	254	433	-	100	90	M24	M24	210	170	48	48
355 LB	2	610	110	714	720	630	-	100	714	254	433	-	70	70	M20	M20	140	140	40	40
	4-8	610	110	714	720	630	-	100	714	254	433	-	100	90	M24	M24	210	170	48	48
355 LKD	4-8	610	110	714	720	630	710	100	802	254	590	510	100	90	M24	M24	210	170	48	48
400 MLA	2	686	140	820	810	630	710	140	850	280	595	515	70	70	M20	M20	140	140	40	40
	4-8	686	140	820	810	630	710	140	850	280	595	515	100	90	M24	M24	210	170	48	48
400 MLB	2	686	140	820	810	630	710	140	850	280	595	515	70	70	M20	M20	140	140	40	40
	4-8	686	140	820	810	630	710	140	850	280	595	515	100	90	M24	M24	210	170	48	48
400 LKA	2	686	140	820	810	710	800	140	935	280	655	565	80	75	M20	M20	170	140	40	40
	4-8	686	140	820	810	710	800	140	935	280	655	565	100	90	M24	M24	210	170	48	48
400 LKB	2	686	140	820	810	710	800	140	935	280	655	565	80	75	M20	M20	170	140	40	40
	4-8	686	140	820	810	710	800	140	935	280	655	565	100	90	M24	M24	210	170	48	48

Motor size	Poles ¹⁾	F	FA	G	GA	GB	GC	GD	GF	H	HA	HC	HD ⁴⁾	HD ⁵⁾	K	L	LC	LD	O ²⁾
355 SA,SB	2	20	20	62.5	74.5	62.5	74.5	12	12	355	36	715	900		28	1317	1467	392	130
	4-8	28	25	90	106	81	95	16	14	355	36	715	900		28	1387	1567	462	130
355 MA	2	20	20	62.5	74.5	62.5	74.5	12	12	355	36	715	900	915	28	1377	1527	392	130
	4-8	28	25	90	106	81	95	16	14	355	36	715	900	915	28	1447	1627	462	130
355 MB	2	20	20	62.5	74.5	62.5	74.5	12	12	355	36	715	900	915	28	1377	1527	392	130
	4-8	28	25	90	106	81	95	16	14	355	36	715	900	915	28	1447	1627	462	130
355 LA	2	20	20	62.5	74.5	62.5	74.5	12	12	355	36	715		915	28	1457	1607	392	130
	4-8	28	25	90	106	81	95	16	14	355	36	715		915	28	1527	1707	462	130
355 LB	2	20	20	62.5	74.5	62.5	74.5	12	12	355	36	715		915	28	1457	1607	392	130
	4-8	28	25	90	106	81	95	16	14	355	36	715		915	28	1527	1707	462	130
355 LKD	4-8	28	25	90	106	91	95	16	14	355	36	715		915	28	1667	1854	462	130
400 MLA	2	20	20	62.5	74.5	62.5	74.5	12	12	400	45	805		1000	35	1628	1785	408	150
	4-8	28	25	90	106	81	95	16	14	400	45	805		1000	35	1698	1885	478	150
400 MLB	2	20	20	62.5	74.5	62.5	74.5	12	12	400	45	805		1000	35	1628	1785	408	150
	4-8	28	25	90	106	81	95	16	14	400	45	805		1000	35	1698	1885	478	150
400 LKA	2	22	20	71	85	67.5	79.5	14	12	400	45	805		1000	35	1798	1955	438	150
	4-8	28	25	90	106	81	95	16	14	400	45	805		1000	35	1838	2025	478	150
400 LKB	2	22	20	71	85	67.5	79.5	14	12	400	45	805		1000	35	1798	1955	438	150
	4-8	28	25	90	106	81	95	16	14	400	45	805		1000	35	1838	2025	478	150

Tolerances:

A, B ISO js14 H ISO 0, -1.0
D, DA ISO m6
F, FA ISO h9

¹⁾ Dimensions for 4-pole motors also valid for 4/6- and 4-8 -pole two-speed motors.

- ²⁾ Cooling distance.
³⁾ Second shaft end on request.
⁴⁾ Terminal box 370
⁵⁾ Terminal box 750

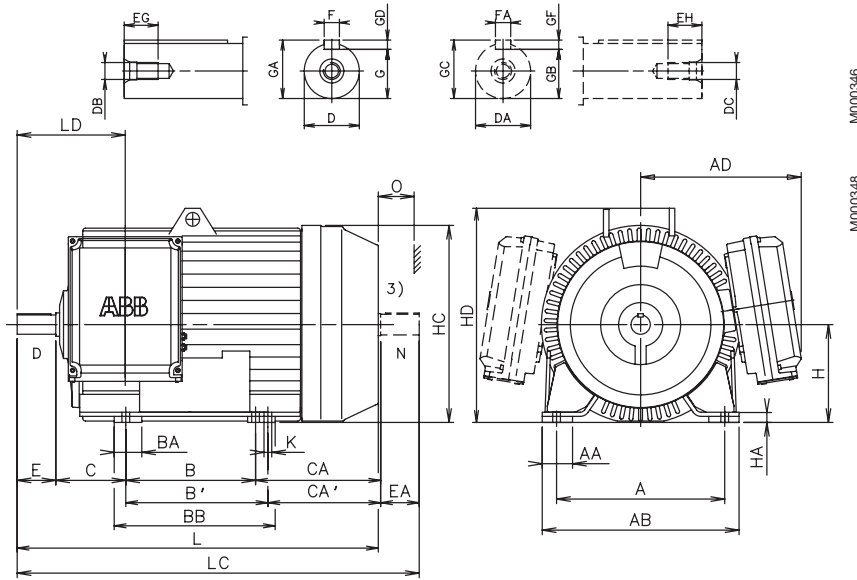
Above dimensions are in mm.
For detailed drawings please see our web-pages 'www.abb.com/motors&drives' or contact us.

General purpose steel motors

Sizes 355-400

Dimension drawings

Foot-mounted; IM B3 (IM 1001), IM B6 (IM 1051), IM B7 (IM 1061), IM B8 (IM 1071), IM V5 (IM 1011), IM V6 (IM 1031) – terminal box side mounted



M000346

M000346

Motor size	Poles 1)	A	AA	AB	AD 4)	B	B'	BA	BB	C	CA	CA'	D	DA	DB	DC	E	EA	EG	EH
355 SA,SB	2	610	110	714	583	500	-	100	584	254	423	-	70	70	M20	M20	140	140	40	40
	4-8	610	110	714	583	500	-	100	584	254	423	-	100	90	M24	M20	210	170	48	48
355 MA	2	610	110	714	583	560	-	100	644	254	423	-	70	70	M20	M20	140	140	40	40
	4-8	610	110	714	583	560	-	100	644	254	423	-	100	90	M24	M24	210	170	48	48
355 MB	2	610	110	714	583	560	-	100	644	254	423	-	70	70	M20	M20	140	140	40	40
	4-8	610	110	714	583	560	-	100	644	254	423	-	100	90	M24	M24	210	170	48	48
355 LA	2	610	110	714	583	630	-	100	714	254	433	-	70	70	M20	M20	140	140	40	40
	4-8	610	110	714	583	630	-	100	714	254	433	-	100	90	M24	M24	210	170	48	48
355 LB	2	610	110	714	583	630	-	100	714	254	433	-	70	70	M20	M20	140	140	40	40
	4-8	610	110	714	583	630	-	100	714	254	433	-	100	90	M24	M24	210	170	48	48
355 LKD	4-8	610	110	714	583	630	710	100	802	254	590	510	100	90	M24	M24	210	170	48	48
400 MLA	2	686	140	820	615	630	710	140	850	280	595	515	70	70	M20	M20	140	140	40	40
	4-8	686	140	820	615	630	710	140	850	280	595	515	100	90	M24	M24	210	170	48	48
400 MLB	2	686	140	820	615	630	710	140	850	280	595	515	70	70	M20	M20	140	140	40	40
	4-8	686	140	820	615	630	710	140	850	280	595	515	100	90	M24	M24	210	170	48	48
400 LKA	2	686	140	820	615	710	800	140	935	280	655	565	80	75	M20	M20	170	140	40	40
	4-8	686	140	820	615	710	800	140	935	280	655	565	100	90	M24	M24	210	170	48	48
400 LKB	2	686	140	820	615	710	800	140	935	280	655	565	80	75	M20	M20	170	140	40	40
	4-8	686	140	820	615	710	800	140	935	280	655	565	100	90	M24	M24	210	170	48	48

Motor size	Poles 1)	F	FA	G	GA	GB	GC	GD	GF	H	HA	HC	HD	K	L	LC	LD	O 2)
355 SA,SB	2	20	20	62.5	74.5	62.5	74.5	12	12	355	36	715	777	28	1317	1467	392	130
	4-8	28	25	90	106	81	95	16	14	355	36	715	777	28	1387	1567	462	130
355 MA	2	20	20	62.5	74.5	62.5	74.5	12	12	355	36	715	777	28	1377	1527	392	130
	4-8	28	25	90	106	81	95	16	14	355	36	715	777	28	1447	1627	462	130
355 MB	2	20	20	62.5	74.5	62.5	74.5	12	12	355	36	715	777	28	1377	1527	392	130
	4-8	28	25	90	106	81	95	16	14	355	36	715	777	28	1447	1627	462	130
355 LA	2	20	20	62.5	74.5	62.5	74.5	12	12	355	36	715	777	28	1457	1607	392	130
	4-8	28	25	90	106	81	95	16	14	355	36	715	777	28	1527	1707	462	130
355 LB	2	20	20	62.5	74.5	62.5	74.5	12	12	355	36	715	777	28	1457	1607	392	130
	4-8	28	25	90	106	81	95	16	14	355	36	715	777	28	1527	1707	462	130
355 LKD	4-8	28	25	90	106	91	95	16	14	355	36	715	777	28	1667	1854	462	130
400 MLA	2	20	20	62.5	74.5	62.5	74.5	12	12	400	45	805	862	35	1628	1785	408	150
	4-8	28	25	90	106	81	95	16	14	400	45	805	862	35	1698	1885	478	150
400 MLB	2	20	20	62.5	74.5	62.5	74.5	12	12	400	45	805	862	35	1628	1785	408	150
	4-8	28	25	90	106	81	95	16	14	400	45	805	862	35	1698	1885	478	150
400 LKA	2	22	20	71	85	67.5	79.5	14	12	400	45	805	862	35	1798	1955	438	150
	4-8	28	25	90	106	81	95	16	14	400	45	805	862	35	1838	2025	478	150
400 LKB	2	22	20	71	85	67.5	79.5	14	12	400	45	805	862	35	1798	1955	438	150
	4-8	28	25	90	106	81	95	16	14	400	45	805	862	35	1838	2025	478	150

Tolerances:

A, B ISO js14 H ISO 0, -1.0
 D, DA ISO m6
 F, FA ISO h9

- 1) Dimensions for 4-pole motors also valid for 4/6- and 4-8-pole two-speed motors.
- 2) Cooling distance.
- 3) Second shaft end on request.
- 4) Terminal box 750

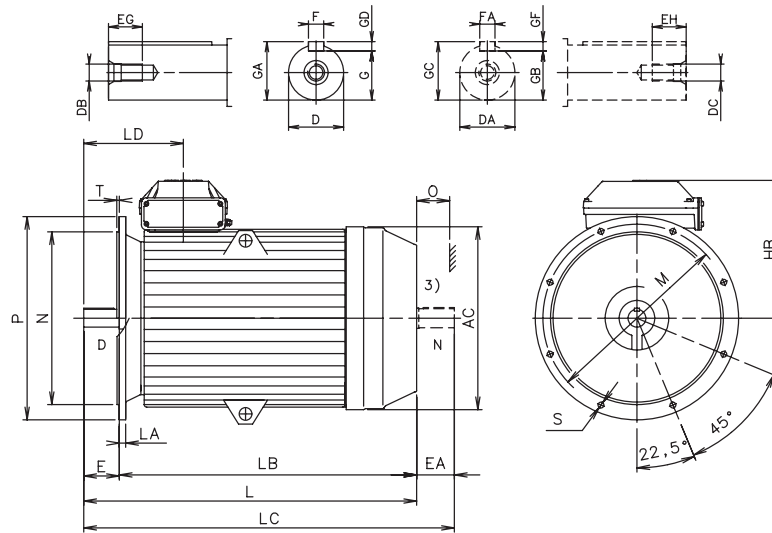
Above dimensions are in mm.
 For detailed drawings please see our web-pages 'www.abb.com/motors&drives' or contact us.

General purpose steel motors

Sizes 355-400

Dimension drawings

Flange-mounted; IM B5 (IM 3001), V1 (IM 3011), V3 (IM 3031) and IM B14 (IM 3601), V18 (IM 3611), V19 (IM 3631)



Motor size	Poles 1)	AC	D	DA	DB	DC	E	EA	EG	EH	F	FA	G	GA	GB	GC
355 SA,SB	2	720	70	70	M20	M20	140	140	40	40	20	20	62.5	74.5	62.5	74.5
	4-8	720	100	90	M24	M24	210	170	48	48	28	25	90	106	81	95
355 MA	2	720	70	70	M20	M20	140	140	40	40	20	20	62.5	74.5	62.5	74.5
	4-8	720	100	90	M24	M24	210	170	48	48	28	25	90	106	81	95
355 MB	2	720	70	70	M20	M20	140	140	40	40	20	20	62.5	74.5	62.5	74.5
	4-8	720	100	90	M24	M24	210	170	48	48	28	25	90	106	81	95
355 LA	2	720	70	70	M20	M20	140	140	40	40	20	20	62.5	74.5	62.5	74.5
	4-8	720	100	90	M24	M24	210	170	48	48	28	25	90	106	81	95
355 LB	2	720	70	70	M20	M20	140	140	40	40	20	20	62.5	74.5	62.5	74.5
	4-8	720	100	90	M24	M24	210	170	48	48	28	25	90	106	81	95
355 LKD	4-8	720	100	90	M24	M24	210	170	48	48	28	25	90	106	81	95
400 MLA	2	810	70	70	M20	M20	140	140	40	40	20	20	62.5	74.5	62.5	74.5
	4-8	810	100	90	M24	M24	210	170	48	48	28	25	90	106	81	95
400 MLB	2	810	70	70	M20	M20	140	140	40	40	20	20	62.5	74.5	62.5	74.5
	4-8	810	100	90	M24	M24	210	170	48	48	28	25	90	106	81	95
400 LKA	2	810	80	75	M20	M20	170	140	40	40	22	20	71	85	67.5	79.5
	4-8	810	100	90	M24	M24	210	170	48	48	28	25	90	106	81	95
400 LKB	2	810	80	75	M20	M20	170	140	40	40	22	20	71	85	67.5	79.5
	4-8	810	100	90	M24	M24	210	170	48	48	28	25	90	106	81	95

Motor size	Poles 1)	GD	GF	HB 4)	HB 5)	L	LA	LB	LC	LD	M	N	O 2)	P	S	T
355 SA,SB	2	12	12	545		1317	25	1177	1467	392	740	680	130	800	23	6
	4-8	16	14	545		1387	25	1177	1567	462	740	680	130	800	23	6
355 MA	2	12	12	545	560	1377	25	1237	1527	392	740	680	130	800	23	6
	4-8	16	14	545	560	1447	25	1237	1627	462	740	680	130	800	23	6
355 MB	2	12	12	545	560	1377	25	1237	1527	392	740	680	130	800	23	6
	4-8	16	14	545	560	1447	25	1237	1627	462	740	680	130	800	23	6
355 LA	2	12	12		560	1457	25	1317	1607	392	740	680	130	800	23	6
	4-8	16	14		560	1527	25	1317	1707	462	740	680	130	800	23	6
355 LB	2	12	12		560	1457	25	1317	1607	392	740	680	130	800	23	6
	4-8	16	14		560	1527	25	1317	1707	462	740	680	130	800	23	6
355 LKD	4-8	16	14		560	1667	25	1457	1854	462	740	680	130	800	23	6
400 MLA	2	12	12		600	1628	25	1488	1785	408	740	680	150	800	23	6
	4-8	16	14		600	1698	25	1488	1885	478	740	680	150	800	23	6
400 MLB	2	12	12		600	1628	25	1488	1785	408	740	680	150	800	23	6
	4-8	16	14		600	1698	25	1488	1885	478	740	680	150	800	23	6
400 LKA	2	14	12		600	1798	25	1628	1955	438	740	680	150	800	23	6
	4-8	16	14		600	1838	25	1628	2025	478	740	680	150	800	23	6
400 LKB	2	14	12		600	1798	25	1628	1955	438	740	680	150	800	23	6
	4-8	16	14		600	1838	25	1628	2025	478	740	680	150	800	23	6

Tolerances:

D, DA ISO m6
F, FA ISO h9
N ISO j6

- 1) Dimensions for 4-pole motors also valid for 4/6- and 4-8 -pole two-speed motors.
- 2) Cooling distance.
- 3) Second shaft end on request.
- 4) Terminal box 370
- 5) Terminal box 750

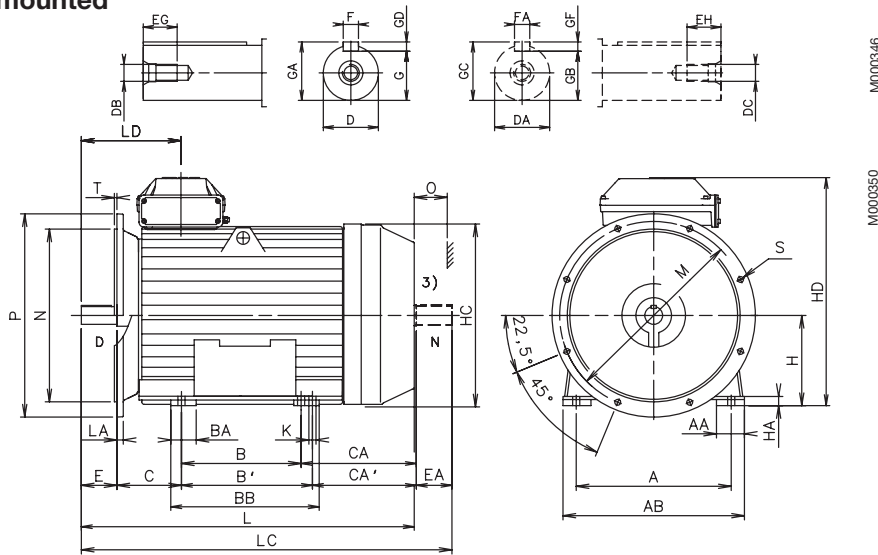
Above dimensions are in mm.
For detailed drawings please see our web-pages 'www.abb.com/motors&drives' or contact us.

General purpose steel motors

Sizes 355-400

Dimension drawings

Foot- and flange-mounted; IM B35 (IM 2001), IM V15 (IM 2011), IM V36 (IM 2031) – terminal box top mounted



Motor size	Poles 1)	A	AA	AB	B	B'	BA	BB	C	CA	CA'	D	DA	DB	DC	E	EA	EG	EH	F	FA
355 SA,SB	2	610	110	714	500	–	100	584	254	433	–	70	70	M20	M20	140	140	40	40	20	20
	4-8	610	110	714	500	–	100	584	254	433	–	100	90	M24	M20	210	170	48	48	28	25
355 MA	2	610	110	714	560	–	100	644	254	433	–	70	70	M20	M20	140	140	40	40	20	20
	4-8	610	110	714	560	–	100	644	254	433	–	100	90	M24	M24	210	170	48	48	28	25
355 MB	2	610	110	714	560	–	100	644	254	433	–	70	70	M20	M20	140	140	40	40	20	20
	4-8	610	110	714	560	–	100	644	254	433	–	100	90	M24	M24	210	170	48	48	28	25
355 LA	2	610	110	714	630	–	100	714	254	443	–	70	70	M20	M20	140	140	40	40	20	20
	4-8	610	110	714	630	–	100	714	254	443	–	100	90	M24	M24	210	170	48	48	28	25
355 LB	2	610	110	714	630	–	100	714	254	443	–	70	70	M20	M20	140	140	40	40	20	20
	4-8	610	110	714	630	–	100	714	254	443	–	100	90	M24	M24	210	170	48	48	28	25
355 LKD	4-8	610	110	714	630	710	100	802	254	590	510	100	90	M24	M24	210	170	48	48	28	25
400 MLA	2	686	140	820	630	710	140	850	280	595	515	70	70	M20	M20	140	140	40	40	20	20
	4-8	686	140	820	630	710	140	850	280	595	515	100	90	M24	M24	210	170	48	48	28	25
400 MLB	2	686	140	820	630	710	140	850	280	595	515	70	70	M20	M20	140	140	40	40	20	20
	4-8	686	140	820	630	710	140	850	280	595	515	100	90	M24	M24	210	170	48	48	28	25
400 LKA	2	686	140	820	710	800	140	935	280	655	565	80	75	M20	M20	170	140	40	40	22	20
	4-8	686	140	820	710	800	140	935	280	655	565	100	90	M24	M24	210	170	48	48	28	25
400 LKB	2	686	140	820	710	800	140	935	280	655	565	80	75	M20	M20	170	140	40	40	22	20
	4-8	686	140	820	710	800	140	935	280	655	565	100	90	M24	M24	210	170	48	48	28	25

Motor size	Poles 1)	G	GA	GB	GC	GD	GF	H	HA	HC	HD	HD	K	L	LC	LD	M	N	O	P	S	T
355 SA,SB	2	62.5	74.5	62.5	74.5	12	12	355	36	715	900		28	1317	1467	392	740	680	130	800	23	6
	4-8	90	106	81	95	16	14	355	36	715	900		28	1387	1567	462	740	680	130	800	23	6
355 MA	2	62.5	74.5	62.5	74.5	12	12	355	36	715	900	915	28	1377	1527	392	740	680	130	800	23	6
	4-8	90	106	81	95	16	14	355	36	715	900	915	28	1447	1627	462	740	680	130	800	23	6
355 MB	2	62.5	74.5	62.5	74.5	12	12	355	36	715	900	915	28	1377	1527	392	740	680	130	800	23	6
	4-8	90	106	81	95	16	14	355	36	715	900	915	28	1447	1627	462	740	680	130	800	23	6
355 LA	2	62.5	74.5	62.5	74.5	12	12	355	36	715		915	28	1457	1607	392	740	680	130	800	23	6
	4-8	90	106	81	95	16	14	355	36	715		915	28	1527	1707	462	740	680	130	800	23	6
355 LB	2	62.5	74.5	62.5	74.5	12	12	355	36	715		915	28	1457	1607	392	740	680	130	800	23	6
	4-8	90	106	81	95	16	14	355	36	715		915	28	1527	1707	462	740	680	130	800	23	6
355 LKD	4-8	90	106	91	95	16	14	355	36	715		915	28	1667	1854	462	740	680	130	800	23	6
400 MLA	2	62.5	74.5	62.5	74.5	12	12	400	45	805	1000	35	1628	1785	408	740	680	150	800	23	6	
	4-8	90	106	81	95	16	14	400	45	805	1000	35	1698	1885	478	740	680	150	800	23	6	
400 MLB	2	62.5	74.5	62.5	74.5	12	12	400	45	805	1000	35	1628	1785	408	740	680	150	800	23	6	
	4-8	90	106	81	95	16	14	400	45	805	1000	35	1698	1885	478	740	680	150	800	23	6	
400 LKA	2	71	85	67.5	79.5	14	12	400	45	805	1000	35	1798	1955	438	740	680	150	800	23	6	
	4-8	90	106	81	95	16	14	400	45	805	1000	35	1838	2025	478	740	680	150	800	23	6	
400 LKB	2	71	85	67.5	79.5	14	12	400	45	805	1000	35	1798	1955	438	740	680	150	800	23	6	
	4-8	90	106	81	95	16	14	400	45	805	1000	35	1838	2025	478	740	680	150	800	23	6	

Tolerances:

A, B	ISO js14	H	ISO 0, -1.0
D, DA	ISO m6	N	ISO j6
F, FA	ISO h9		

1) Dimensions for 4-pole motors also valid for 4/6- and 4-8 -pole two-speed motors.

2) Cooling distance.

3) Second shaft end on request.

4) Terminal box 370

5) Terminal box 750

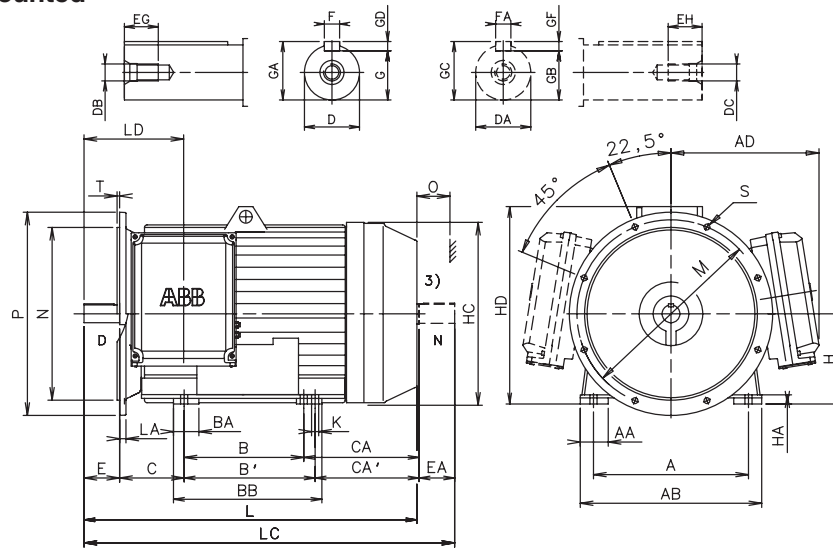
Above dimensions are in mm.
For detailed drawings please see our web-pages 'www.abb.com/motors&drives' or contact us.

General purpose steel motors

Sizes 355-400

Dimension drawings

Foot- and flange-mounted; IM B35 (IM 2001), IM V15 (IM 2011), IM V36 (IM 2031) – terminal box side mounted



M000346

M000351

Motor size	Poles 1)	A	AA	AB	AD 4)	B	B'	BA	BB	C	CA	CA'	D	DA	DB	DC	E	EA	EG	EH	F	FA
355 SA,SB	2	610	110	714	583	500	-	100	584	254	423	-	70	70	M20	M20	140	140	40	40	20	20
	4-8	610	110	714	583	500	-	100	584	254	423	-	100	90	M24	M20	210	170	48	48	28	25
355 MA	2	610	110	714	583	560	-	100	644	254	423	-	70	70	M20	M20	140	140	40	40	20	20
	4-8	610	110	714	583	560	-	100	644	254	423	-	100	90	M24	M24	210	170	48	48	28	25
355 MB	2	610	110	714	583	560	-	100	644	254	423	-	70	70	M20	M20	140	140	40	40	20	20
	4-8	610	110	714	583	560	-	100	644	254	423	-	100	90	M24	M24	210	170	48	48	28	25
355 LA	2	610	110	714	583	630	-	100	714	254	433	-	70	70	M20	M20	140	140	40	40	20	20
	4-8	610	110	714	583	630	-	100	714	254	433	-	100	90	M24	M24	210	170	48	48	28	25
355 LB	2	610	110	714	583	630	-	100	714	254	433	-	70	70	M20	M20	140	140	40	40	20	20
	4-8	610	110	714	583	630	-	100	714	254	433	-	100	90	M24	M24	210	170	48	48	28	25
355 LKD	4-8	610	110	714	583	630	710	100	802	254	590	510	100	90	M24	M24	210	170	48	48	28	25
	2	686	140	820	615	630	710	140	850	280	595	515	70	70	M20	M20	140	140	40	40	20	20
400 MLA	4-8	686	140	820	615	630	710	140	850	280	595	515	100	90	M24	M24	210	170	48	48	28	25
	2	686	140	820	615	630	710	140	850	280	595	515	70	70	M20	M20	140	140	40	40	20	20
400 MLB	4-8	686	140	820	615	630	710	140	850	280	595	515	100	90	M24	M24	210	170	48	48	28	25
	2	686	140	820	615	630	710	140	850	280	595	515	70	70	M20	M20	140	140	40	40	20	20
400 LKA	2	686	140	820	615	710	800	140	935	280	655	565	80	75	M20	M20	170	140	40	40	22	20
	4-8	686	140	820	615	710	800	140	935	280	655	565	100	90	M24	M24	210	170	48	48	28	25
400 LKB	2	686	140	820	615	710	800	140	935	280	655	565	80	75	M20	M20	170	140	40	40	22	20
	4-8	686	140	820	615	710	800	140	935	280	655	565	100	90	M24	M24	210	170	48	48	28	25

Motor size	Poles 1)	G	GA	GB	GC	GD	GF	H	HA	HC	HD	K	L	LC	LD	M	N	O 2)	P	S	T
355 SA,SB	2	62.5	74.5	62.5	74.5	12	12	355	36	715	777	28	1317	1467	392	740	680	130	800	23	6
	4-8	90	106	81	95	16	14	355	36	715	777	28	1387	1567	462	740	680	130	800	23	6
355 MA	2	62.5	74.5	62.5	74.5	12	12	355	36	715	777	28	1377	1527	392	740	680	130	800	23	6
	4-8	90	106	81	95	16	14	355	36	715	777	28	1447	1627	462	740	680	130	800	23	6
355 MB	2	62.5	74.5	62.5	74.5	12	12	355	36	715	777	28	1377	1527	392	740	680	130	800	23	6
	4-8	90	106	81	95	16	14	355	36	715	777	28	1447	1627	462	740	680	130	800	23	6
355 LA	2	62.5	74.5	62.5	74.5	12	12	355	36	715	777	28	1457	1607	392	740	680	130	800	23	6
	4-8	90	106	81	95	16	14	355	36	715	777	28	1527	1707	462	740	680	130	800	23	6
355 LB	2	62.5	74.5	62.5	74.5	12	12	355	36	715	777	28	1457	1607	392	740	680	130	800	23	6
	4-8	90	106	81	95	16	14	355	36	715	777	28	1527	1707	462	740	680	130	800	23	6
355 LKD	4-8	90	106	91	95	16	14	355	36	715	777	28	1667	1854	462	740	680	130	800	23	6
	2	62.5	74.5	62.5	74.5	12	12	400	45	805	862	35	1628	1785	408	740	680	150	800	23	6
400 MLA	4-8	90	106	81	95	16	14	400	45	805	862	35	1698	1885	478	740	680	150	800	23	6
	2	62.5	74.5	62.5	74.5	12	12	400	45	805	862	35	1628	1785	408	740	680	150	800	23	6
400 MLB	4-8	90	106	81	95	16	14	400	45	805	862	35	1698	1885	478	740	680	150	800	23	6
	2	62.5	74.5	62.5	74.5	12	12	400	45	805	862	35	1628	1785	408	740	680	150	800	23	6
400 LKA	2	71	85	67.5	79.5	14	12	400	45	805	862	35	1798	1955	438	740	680	150	800	23	6
	4-8	90	106	81	95	16	14	400	45	805	862	35	1838	2025	478	740	680	150	800	23	6
400 LKB	2	71	85	67.5	79.5	14	12	400	45	805	862	35	1798	1955	438	740	680	150	800	23	6
	4-8	90	106	81	95	16	14	400	45	805	862	35	1838	2025	478	740	680	150	800	23	6

Tolerances:

A, B ISO js14 H ISO 0, -1.0
D, DA ISO m6 N ISO j6
F, FA ISO h9

- 1) Dimensions for 4-pole motors also valid for 4/6- and 4-8 -pole two-speed motors.
- 2) Cooling distance.
- 3) Second shaft end on request.
- 4) Terminal box 750

Above dimensions are in mm.
For detailed drawings please see our web-pages 'www.abb.com/motors&drives' or contact us.

General purpose steel motors

Sizes 280-400

Dimension drawings

Terminal box in standard design with 6 terminals

Motor sizes 280 to 315

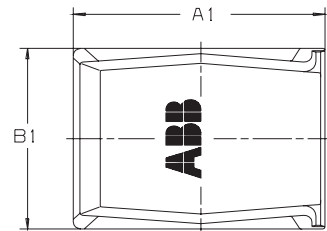
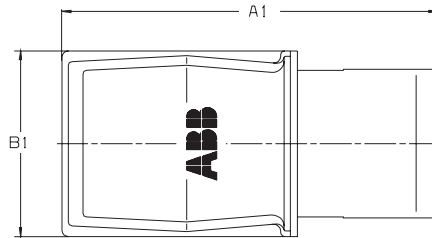
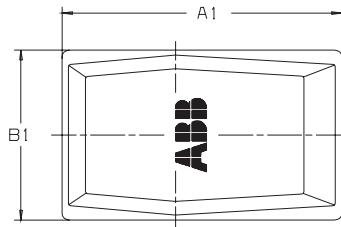
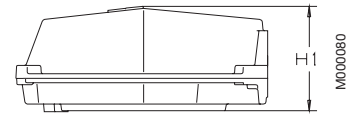
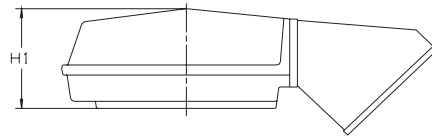
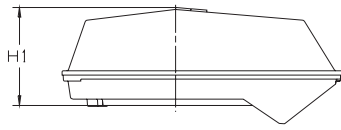
Top-mounted terminal box:

122/4
142/4

162/4, 162/9 +
adapter

Side-mounted terminal box:

122/5
142/6
162/7, 162/10

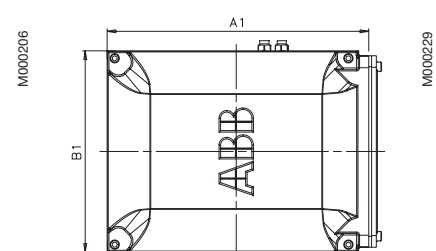
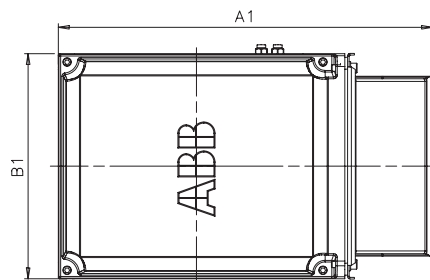
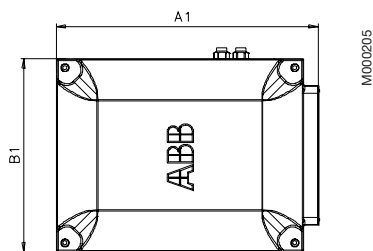
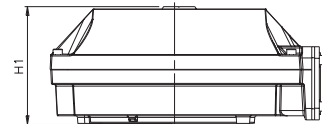
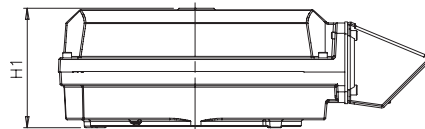


Motor sizes 355 to 400

Top- and side-mounted
Terminal boxes 370

Top-mounted
Terminal box 750 + adapter

Side-mounted
Terminal box 750



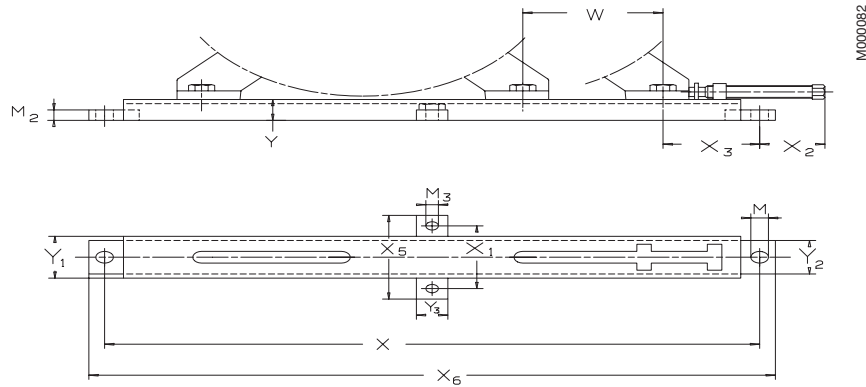
Motor sizes 280 to 315 Terminal box type	A1	B1	H1
122/4 top-mounted	455	280	177
122/5 side-mounted	383	280	180
142/4 top-mounted	536	349	197
142/6 side-mounted	426	347	201
162/4 + adapter, top-mounted	787	410	226
162/7 side-mounted	508	412	226

Motor sizes 355 to 400 Terminal box type	A1	B1	H1
370 top- and side-mounted	451	347	200
750 top-mounted	686	413	219
750 side-mounted	525	413	219

For motor dimensions please see dimension drawings on earlier pages or on our web-pages www.abb.com/motors&drives.

Accessories

Slide rails for motor sizes 280-400

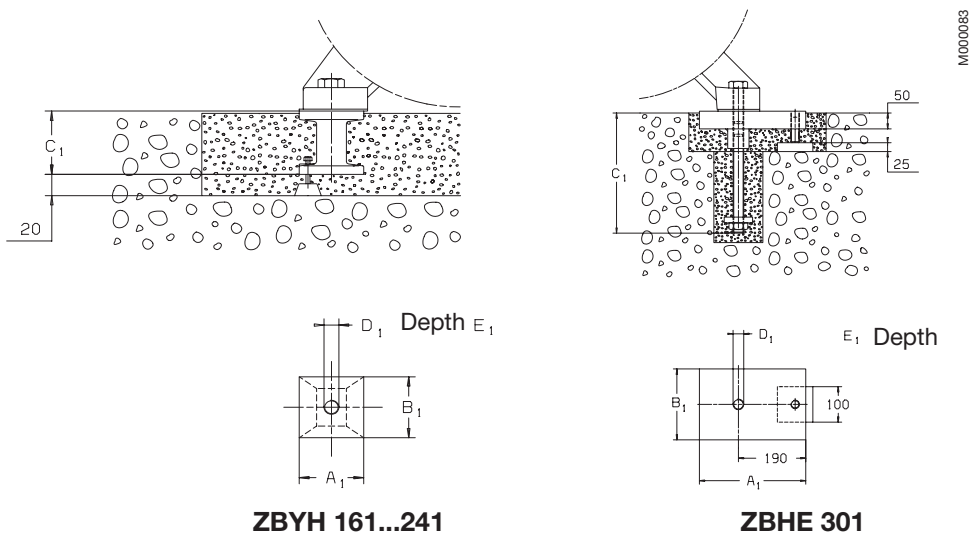


Type	Motor size	M	M ₂	M ₃	W _{max}	X	X ₁	X ₂ max	X ₃ min	X ₅	X ₆	Y	Y ₁	Y ₂	Y ₃	Weight/rail kg
ZHKJ 50	280	28	25	20	135	850	150	125	135	200	900	50	100	80	50	14.5
ZHKJ 63	315	28	25	20	220	1040	150	125	150	200	1090	50	100	80	50	17.5
ZHKJ 71 ¹⁾	355	33	30	20	275	1260	190	145	185	240	1320	60	140	120	50	31
ZHKJ 71 ¹⁾	400	33	30	20	180	1260	190	140	200	240	1320	60	140	120	50	31

¹⁾ When mounting on a ceiling or on a wall please contact the manufacturer.

Each set includes two complete slide rails including screw for mounting the motor on the rails. Screws for mounting the rails on the foundation are not included. Slide rails are supplied with unmachined lower surfaces and should, prior to tightening down, be supported in a suitable manner.

Foundation studs for motor sizes 280-400



ZBYH 161...241

ZBHE 301

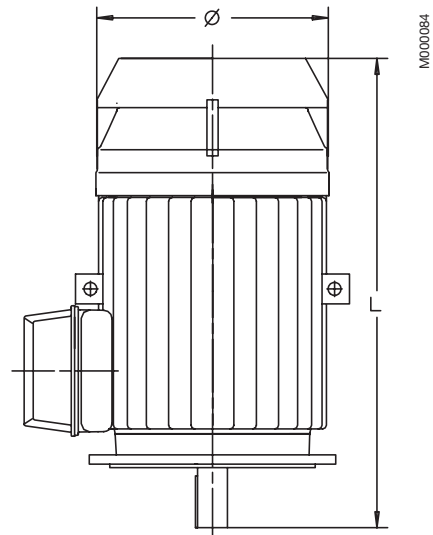
Foundation stud type	Fixing screw	Motor size	Main dimensions A1	B1	C1	D1	E1	Weight kg
ZBYH 201	M20 x 70/70 Y	280	100	100	95	M20	35	3.4
ZBYH 241	M24 x 90/90 Y	315, 355	130	130	135	M24	45	7
ZBHE 301	M30 x 100/100 Y	400	300	200	385	M30	65	30

Each set of foundation studs includes 4 studs, fixing screw for the motor, adjusting screw with foundation plate.

Accessories

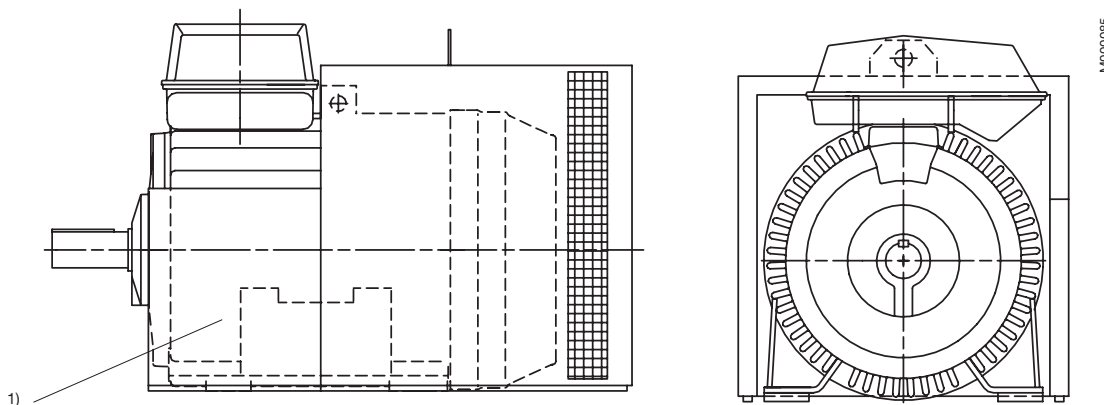
Protective roof (variant code 005)

Motor size	Poles	Ø	L
280 S_	2	555	1160
	4-12	555	1090
280 SM_	2	555	1160
	4-12	555	1160
280 M_	2	555	1220
	4-12	555	1220
315 S_	2	624	1210
	4-12	624	1240
315 SM_	2	624	1310
	4-12	624	1240
315 M_	2	624	1310
	4-12	624	1340
315 L_	2	624	1380
	4-12	624	1410
355 S_	2	720	1440
	4-12	720	1510
355 M_	2	720	1500
	4-12	720	1570
355 L_	2	720	1580
	4-12	720	1650
355 LK_	4-12	720	1790
400 ML_	2	810	1796
	4-12	810	1836
400 LK_	2	810	1936
	4-12	810	1976



Mounting arrangement IM V1 with protective roof

Silencer for motor sizes 280-400



Both foot-mounted and flange-mounted motors can be fitted with a silencer to reduce the noise level by about 10 dB(A). The silencer is painted blue and is made of 2 mm steel sheet. The sound absorbing material is 40 mm thick polyurethane foam. On the underside there is a rubber strip to seal against the floor. The silencer fits loosely over the motor.

Dimensions of silencers on request.

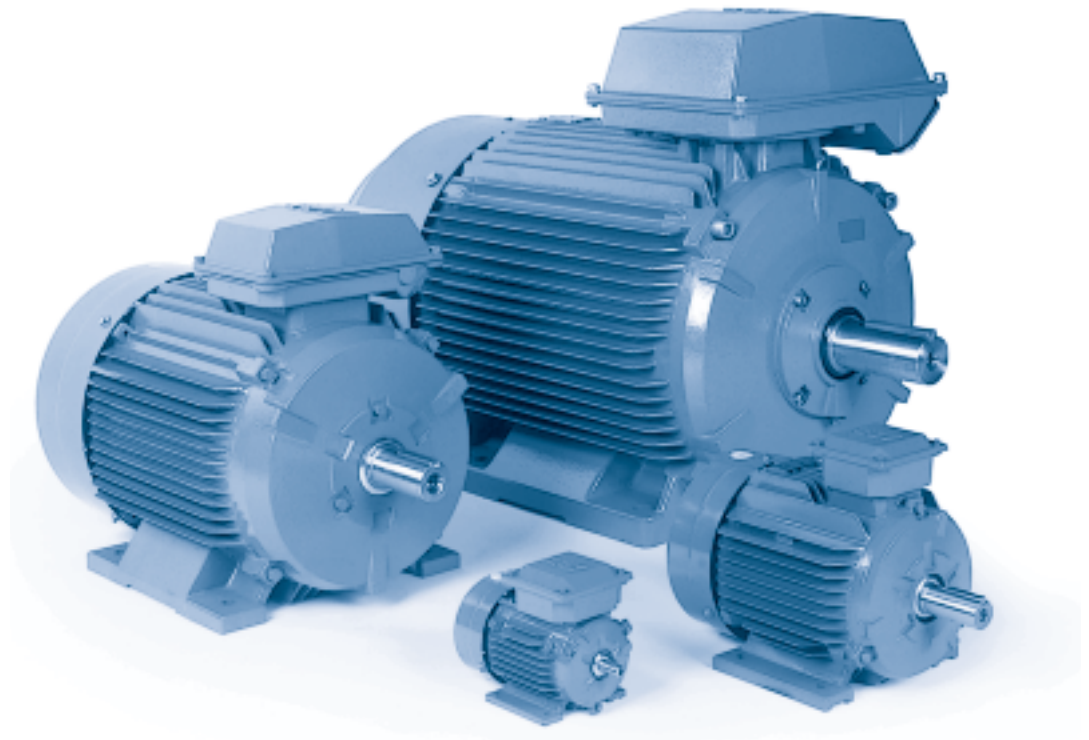
¹⁾ If connections to the motor or control gear require it, an opening can be made in the extension of the silencer or it can be removed.

General purpose steel motors in brief, basic design

Motor frame size		280	315	355	400	
Stator	Material	Profile-pressed sheet steel				
	Paint colour shade	Blue, Munsell 8B 4.5/3.25 (NCS 4822-B05G) / RAL 5014				
	Paint thickness	Two-pack epoxy paint, thickness $\geq 70 \mu\text{m}$				
Bearing end shields	Material	Cast iron EN-GJL-200 or spheroidal graphit EN-GJS-400				
	Paint colour shade	Blue, Munsell 8B 4.5/3.25 (NCS 4822-B05G) / RAL 5014				
	Paint thickness	Two-pack epoxy paint, thickness $\geq 70 \mu\text{m}$				
Bearings	D-end	2-pole	6316/C4	6316/C4	6316M/C3	6317M/C3
		4-12 poles	6316/C3	6319/C3	6322/C3	6322/C3
	N-end	2-pole	6316/C4	6316/C4	6316M/C3	6317M/C3
		4-12 poles	6316/C3	6316/C3	6319/C3	6319/C3
Axially-locked bearings	Inner bearing cover	As standard, locked at D-end				
Bearing seal		V-ring as standard, radial seal on request			2-pole labyrinth seal	
Lubrication		Regreasing nipples, M10x1 Grease for bearing temperatures -30°C to $+120^{\circ}\text{C}$				
SPM-nipples		On request				
Rating plate		Acid proof stainless steel AISI 316, thickness 0.6 mm, with individual serial number				
Terminal box	Frame material	Cast iron EN-GJL-150		Cast iron EN-GJL-250/GG 25/GRS 250		
	Cover material	Cast iron EN-GJL-150		Cast iron EN-GJL-250/GG 25/GRS 250		
	Cover screw material	Steel 8.8, zinc electroplated				
Connections	Cable entries	2-4 pole	2 x M63	2 x M63	2 x $\text{\O}60/80$	2 x $\text{\O}80$
		6-8 pole	2 x M63	2 x M63	2 x $\text{\O}60$	2 x $\text{\O}60/80$
	Terminals	6 terminals for connection with cable lugs (not included)				
Fan	Material	Glass fibre reinforced plastic or aluminum				
Fan cover	Material	Sheet steel				
	Paint colour shade	Blue, Munsell 8B 4.5/3.25 (NCS 4822-B05G) / RAL 5014				
	Paint thickness	Two-pack epoxy polyester paint, thickness $\geq 80 \mu\text{m}$				
Stator winding	Material	Copper				
	Insulation	Insulation class F; temperature rise class B unless otherwise stated.				
	Winding protection	PTC-thermistors 150°C , 3 in series, as standard				
Rotor winding	Material	Pressure die-cast aluminum				
Balancing method		Half key balancing as standard				
Key ways		Open key way				
Heating elements	On request	50 W	1 x 65 W	2 x 65 W	2 x 65 W	
Drain holes		As standard, open on delivery				
Enclosure		IP 55, higher protection on request				
Cooling method		IC 411				

General Purpose Cast Iron Motors

Totally enclosed squirrel cage three phase low voltage motors,
Sizes 71 - 355, 0.25 to 250 kW



www.abb.com/motors&drives

- > Motors
- > Low voltage motors
- > General purpose motors

Mechanical design	112
Ordering information.....	119
Technical data.....	120
Variant codes	128
Dimension drawings.....	131
Rating plates.....	140
Construction	141
Cast iron motors in brief.....	142

Mechanical design

Stator

The motor frame including feet, bearing housing and terminal box is made of cast iron. Integrally cast feet allow a very rigid mounting and minimal vibration.

Motors can be supplied for foot mounting, flange mounting and combinations of these.

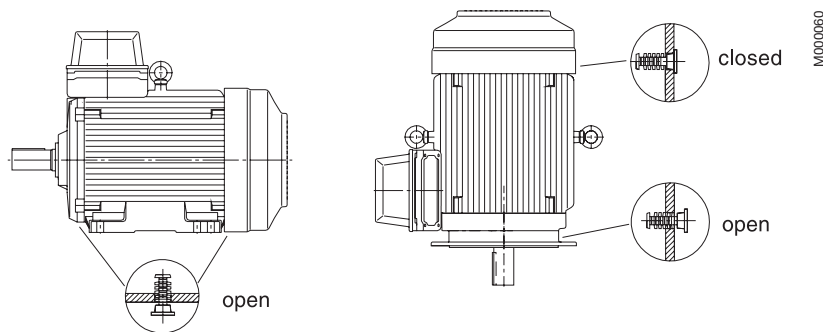
Drain holes

Motors, frame sizes 280 to 355, are fitted with drain holes and closable plugs. The plugs are open on delivery. When mounting the motors, ensure that the drain holes face downwards.

In the case of vertical mounting, the upper plug must be hammered home completely. In very dusty environments, both plugs should be hammered home.

Drain holes for motors IEC frame sizes 71 to 250 are available as modification.

Drain holes for motors IEC-frame sizes 280 to 355



Terminal boxes are mounted on top of the motor as standard. The terminal box can also be mounted on the left or right side, see ordering information.

Terminations are suitable for Cu- and Al-cables. Cables are connected to the terminals by cable lugs which are not included with the motor.

The terminal box of motor sizes 71 to 250 can be turned $4 \times 90^\circ$ and in motors sizes 280 to 355 rotated $2 \times 180^\circ$ to allow cable entry from either side of the motor. Degree of protection of standard terminal box is IP 55.

To enable the supply of suitable terminations for the motor, please state cable type, quantity and size when ordering. Non-standard design of terminal boxes; e.g. size, degree of protection, are available as options.

The terminal boxes in sizes 280 to 355 are equipped with cable glands or cable boxes as standard.

Please see variant codes for options.

Terminal box examples



Motor sizes 71 to 132



Motor sizes 160 to 250



Motor sizes 280 to 355, provided either with a cable gland or a cable box.

Terminal boxes and cable entries

If no ordering information of the cable is given, it is assumed to be p.v.c.-insulated and termination parts are supplied according to the table below.

In motor sizes 280 to 355 the terminal box is equipped with cable glands or cable boxes as standard.

To enable the supply of suitable terminations for the motor, please state cable type, quantity and size when ordering.

The table below shows the different alternatives available for cable boxes and cable entries. Other types on request.

Cast iron motor sizes 71 to 250 with top-mounted terminal box

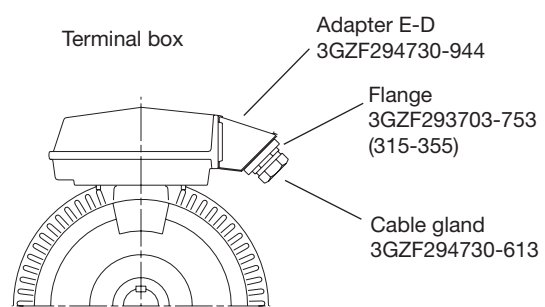
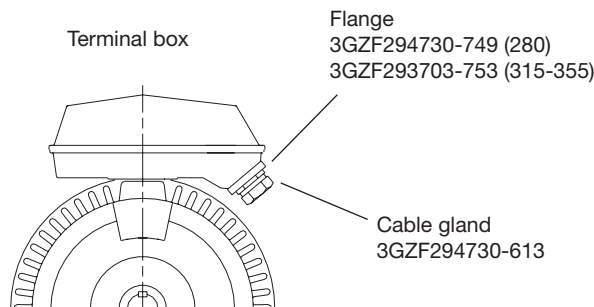
Motor size	Poles	Cable entry mm
71M	2,4,6	2xM16x1.5
80M	2,4,6	2xM25x1.5
90S	2,4,6	2xM25x1.5
90L	2,4,6	2xM25x1.5
100L	2,4,6,8	2xM32x1.5
112M	2,4,6,8	2xM32x1.5
132S	2,4,6,8	2xM32x1.5
132M	2,4,6,8	2xM32x1.5

Motor size	Poles	Cable entry mm
160M	2,4,6,8	2xM40x1.5
160L	2,4,6,8	2xM40x1.5
180M	2,4,6,8	2xM40x1.5
180L	2,4,6,8	2xM40x1.5
200L	2,4,6,8	2xM50x1.5
225S	4,6,8	2xM50x1.5
225M	2,4,6,8	2xM50x1.5
250M	2,4,6,8	2xM63x1.5

Cable entries for thermistors: 1xM16x1.5 (type 160 to 250)

Cast iron motor sizes 280 to 355 with top-mounted terminal box

Motor size	Terminal box	Flange opening	Flange	Cable gland	Cable entry	Cable diameter	Auxiliary entries	Terminal bolt
3000 r/min (2 poles)								
280 SM_	122/2	C	3GZF 294 730-749	3GZF 294 730-613	2 x M63	2 x Ø32-49	2 x M20	M8
315 SM_, ML_	142/1	D	3GZF 294 730-753	3GZF 294 730-613	2 x M63	3 x Ø32-49	2 x M20	M10
355 S	162/1	E-D	3GZF 294 730-753	3GZF 294 730-613	2 x M63	3 x Ø32-49	2 x M20	M12
1500 r/min (4 poles)								
280 SM_	122/2	C	3GZF 294 730-749	3GZF 294 730-613	2 x M63	2 x Ø32-49	2 x M20	M8
315 SM_, ML_	142/1	D	3GZF 294 730-753	3GZF 294 730-613	2 x M63	3 x Ø32-49	2 x M20	M10
355 S	162/1	E-D	3GZF 294 730-753	3GZF 294 730-613	2 x M63	3 x Ø32-49	2 x M20	M12
1000 r/min (6 poles)								
280 SM_	122/2	C	3GZF 294 730-749	3GZF 294 730-613	2 x M63	2 x Ø32-49	2 x M20	M8
315 SM_, ML_	142/1	D	3GZF 294 730-753	3GZF 294 730-613	2 x M63	3 x Ø32-49	2 x M20	M10
355 S	142/2	D	3GZF 294 730-753	3GZF 294 730-613	2 x M63	3 x Ø32-49	2 x M20	M10
750 r/min (8 poles)								
280 SM_	122/2	C	3GZF 294 730-749	3GZF 294 730-613	2 x M63	2 x Ø32-49	2 x M20	M8
315 SM_, ML_	142/1	D	3GZF 294 730-753	3GZF 294 730-613	2 x M63	3 x Ø32-49	2 x M20	M10
355 S	142/2	D	3GZF 294 730-753	3GZF 294 730-613	2 x M63	3 x Ø32-49	2 x M20	M10



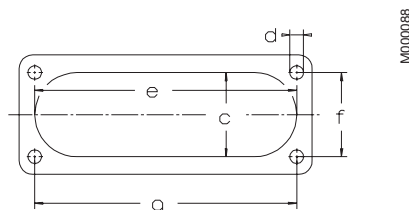
M000087

Alternatives for cable entries and cable boxes for motor sizes 280 to 355

Motor size	Terminal box on top	Terminal box on side	Opening type (D/Y-conn.)	Max. rated current A mm ²	Max connection cable area	Cable gland diameter	Auxiliary cable entries	Cable box diameter	Blank plate
280	122/2	NA	C	363/210	2 x 150	2 x M40-63	2 x M20	max 2xØ60	MKLN 20
315	142/1	NA	D	640/370	2 x 240	1 x M40-63	2 x M20	max 2xØ60	MKLN 30
355	142/2		D	640/370	2 x 240	2 x M40-63	2 x M20	max 2xØ80	
	162/1		E-D	950/550	4 x 240			max 4xØ60	

Flange

Opening	Adapter 3GZF	c	e	f	g	d
C		62	193	62	193	M8
D		100	300	80	292	M10
E		100	300	80	292	M10
E-D	294730-944	100	300	80	292	M10



Bearings

The motors are normally fitted with single-row deep groove ball bearings as listed in the table below.

When there are high axial forces, angular-contact ball bearings should be used. This option is available on request.

When a motor with angular-contact ball bearings is ordered, the method of mounting and direction and magnitude of the axial force must be specified. For special bearings, please see the variant codes.

Basic version with deep groove ball bearings

Motor size	Number of poles	Deep groove ball bearings	
		D-end	N-end
71M	2-6	6202 VV C3	6202 VV C3
80M	2-6	6204 DDU C3	6204 DDU C3
90S	2-6	6205 DDU C3	6205 DDU C3
90L	2-6	6205 DDU C3	6205 DDU C3
100L	2-8	6206 DDU C3	6206 DDU C3
112M	2-8	6207 DDU C3	6206 DDU C3
132S	2-8	6208 DDU C3	6207 DDU C3
132M	2-8	6208 DDU C3	6207 DDU C3
160M	2-8	6309 ZZ C3	6209 DDU C3
160L	2-8	6309 ZZ C3	6209 DDU C3

Motor size	Number of poles	Deep groove ball bearings	
		D-end	N-end
180M	2-8	6310 ZZ C3	6210 DDU C3
180L	2-8	6310 ZZ C3	6210 DDU C3
200L	2-8	6312 ZZ C3	6212 DDU C3
225S	4-8	6313 ZZ C3	6213 ZZ C3
225M	2-8	6313 ZZ C3	6213 ZZ C3
250M	2-8	6314/C3	6214/C3
280	2	6316/C4	6316/C4
	4-12	6316/C3	6316/C3
315	2	6316/C4	6316/C4
	4-12	6319/C3	6316/C3
355	2	6316M/C3	6316M/C3
	4-12	6322/C3	6319/C3

Axially-locked bearings

The D-end bearing is locked, in sizes 71 to 180 with the spring ring and in sizes 200 to 355 with the inner bearing cover. The inner ring is locked by tight tolerance to the shaft.

Transport locking

Motors that have roller bearings or an angular contact ball bearing are fitted with a transport lock before despatch to prevent damage to the bearings during transport. In case of transport locked bearing, motor sizes 280 to 355 are provided with a warning sign.

Locking may also be fitted in other cases where transport conditions are suspected of being potentially damaging.

Bearing seals

The motors are as standard provided with seals according to table below.

Motor size	Description D-end	Standard design		Alternative design Radial seal (DIN 3760) Variant code 072	Number of poles	d_1	d_2	B_1	b
		Axial seal	N-end						
71 to 132	Sealed bearings (2RS) and axial seal, gamma ring, at D-end								
160 to 225	Axial seal, gamma ring, at D-end								
250	Radial seal at D-end								
280	Axial seals at both ends	VS 80	VS 80	80x100x10 ¹⁾	2	80	100	13.5	10
		VS 80	VS 80	80x100x10	4-12	80	100	13.5	10
315	Axial seals at both ends	VS 80	VS 80	80x100x10 ¹⁾	2	80	100	13.5	10
		VS 95	VS 80	95x120x12	4-12	95	120	13.5	12
355	Axial seals at both ends	VS 95	VS 95	95x120x12 ¹⁾	2	95	120	13.5	12
		VS 110	VS 95	110x140x12 ¹⁾	4-12	110	140	15.5	12

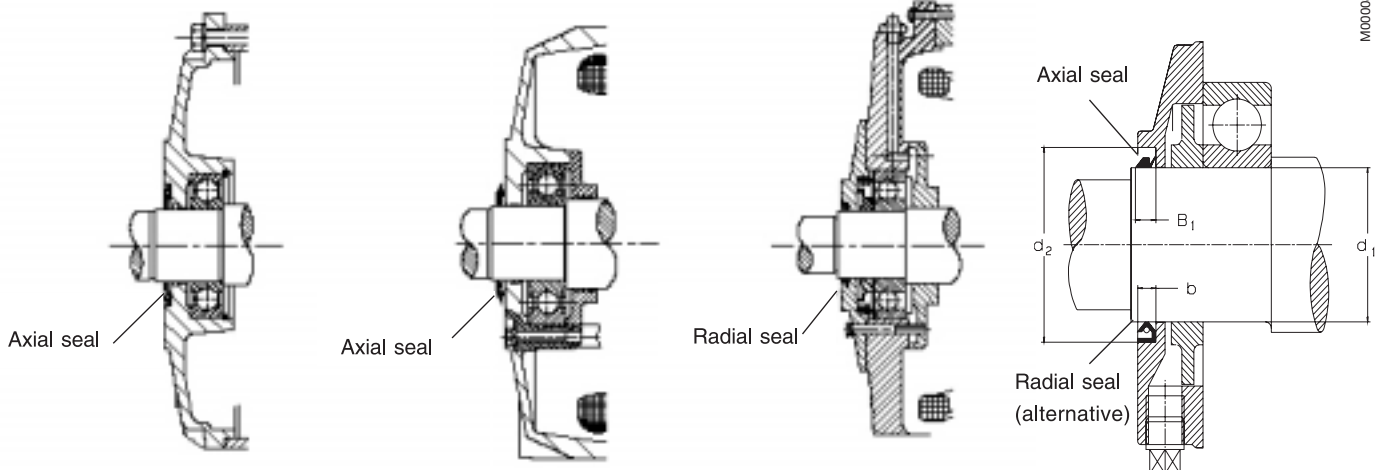
¹⁾ Viton-seal

Motor sizes 71-132

Motor sizes 160-225

Motor size 250

Motor sizes 280-355



Bearing life

The nominal life L_{10} of a bearing is defined according to ISO as the number of operating hours achieved or exceeded by 90% of identical bearings in a large test series under certain specified conditions. 50% of the bearings achieve at least five times this figure.

The calculated bearing life L_{10} for power transmission by means of a coupling (horizontal machine):

Motor sizes 280 to 355 200,000 hours.

Lubrication

On delivery, the motors are lubricated with a type of grease intended for use in dry or humid environments, at normal ambient temperature.

Standard versions of motors 71 to 225 are lubricated for life, with lithium based grease.

Motors 160 to 225 are available with either permanent greased or, as against variant codes, with regreasable bearings.

Motors 250 to 355 have grease value lubrication for lubrication in service. The lubrication intervals and quantity are stated in the maintenance manual which comes with the motor.

Pulley diameter

When the desired bearing life has been determined, the minimum permissible pulley diameter can be calculated with FR (or FRX), according to the formula:

$$D = \frac{1.9 \cdot 10^7 \cdot K \cdot P}{N \cdot F_R}$$

Where:

D = diameter of pulley, mm

P = power requirement, kW

N = motor speed, r /min

K = belt tension factor, dependent on belt type and type of duty. A common value for V belts is K= 2.5

F_R = permissible radial force

Permissible loadings on shaft

The tables below give the permissible radial force in Newtons, assuming zero axial force. The values are based on normal conditions at 50 Hz and calculated bearing lives of 20,000 and 40,000 hours.

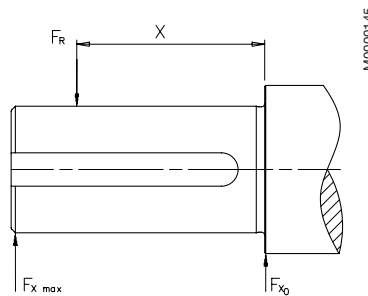
Motors are foot-mounted IM B3 version with force directed sideways. In some cases the strength of the shaft affects the permissible forces.

At 60 Hz the values must be reduced by 10 %.

If the radial force is applied between points X₀ and X_{max}, the permissible force F_R can be calculated from the following formula:

$$F_R = F_{X_0} - \frac{X}{E} (F_{X_0} - F_{X_{max}})$$

E = length of shaft extension in basic version



Permissible radial forces

Motor size	Poles	Length of shaft extension E (mm)	Radial forces Ball bearings 20,000 hours		40,000	
			F _{X₀} (N)	F _{X_{max}} (N)	F _{X₀} (N)	F _{X_{max}} (N)
71 M	2	30	381	322	303	256
	4	30	480	405	381	322
	6	30	555	469	441	372
80 M	2	40	624	509	495	404
	4	40	788	643	626	511
	6	40	907	740	720	587
	8	40	997	813	791	646
90 S	2	40	686	542	545	430
	4	40	870	687	690	545
	6	40	1000	790	794	627
	8	40	1095	866	870	687

Permissible radial forces

Motors size	Poles	Length of shaft extension E (mm)	Radial forces Ball bearings 20,000 hours			
			FX_0 (N)	FX_{max} (N)	40,000 hours	
			FX_0 (N)	FX_{max} (N)	FX_0 (N)	FX_{max} (N)
90 L	2	50	696	564	553	448
	4	50	885	717	702	569
	6	50	1015	823	806	653
	8	50	1112	901	883	715
100 L	2	60	979	785	777	622
	4	60	1234	989	979	785
	6	60	1419	1137	1126	903
	8	60	1566	1255	1243	996
112 M	2	60	1258	1014	998	805
	4	60	1592	1284	1264	1019
	6	60	1831	1477	1453	1172
	8	60	2020	1629	1603	1293
132 S	2	80	1435	1122	1139	890
	4	80	1821	1423	1445	1130
	6	80	2079	1625	1650	1290
	8	80	2299	1797	1825	1427
132 M	4	80	1840	1476	1461	1172
	6	80	2107	1690	1672	1341
	8	80	2329	1869	1849	1483
	160 M	2	110	1544	1200	1226
4		110	1948	1513	1546	1201
6		110	2232	1734	1772	1377
8		110	2465	1916	1957	1520
160L	2	110	1563	1243	1240	987
	4	110	1971	1568	1565	1244
	6	110	2259	1797	1793	1426
	8	110	2495	1984	1980	1575
180M	2	110	2984	2371	2368	1882
	4	110	3759	2988	2984	2371
180L	4	110	3802	3073	3017	2439
	6	110	4352	3518	3454	2792
	8	110	4800	3881	3810	3080
200L	2	110	4090	3377	3246	2680
	4	110	5162	4262	4097	3383
	6	110	5909	4879	4690	3872
	8	110	6518	5382	5173	4272
225S	4	140	5763	4526	4574	4593
	8	140	7261	5703	5763	4526
225M	2	110	4591	3811	3644	3025
	4	110	5791	4594	4596	3646
	6	110	6644	5271	5273	4184
	8	110	7296	5788	5791	4594
250M	2	140	5112	4170	4057	3310
	4	140	6440	5254	5111	4170
	6	140	7388	6027	5864	4784
	8	140	8113	6619	6439	5253
280SM_	2	140	7300	6200	5800	4900
	4	140	9200	7800	7300	6200
	6	140	10600	8900	8400	7100
	8	140	11600	9800	9200	7800
315SM_	2	140	7300	6000	5800	4950
	4	170	11300	9400	9000	7500
	6	170	13000	10600	10300	8500
	8	170	14300	10400	11300	9400
315ML	2	140	7300	6000	5800	4950
	4	140	11300	9400	9000	7500
	6	140	13000	10600	10300	8500
	8	140	14300	10400	11300	9400
355 S_	2	140	9000	7900	6200	5300
	4	210	15200	12500	12000	9850
	6	210	17300	14200	13700	11300
	8	210	19000	15600	15200	12400

Permissible axial forces

The following tables give the permissible axial forces in Newton, assuming zero radial force. The values are based on normal conditions at 50 Hz with standard

bearings and calculated bearing lives of 20,000 and 40,000 hours.

Motors are foot-mounted IM B3 version.

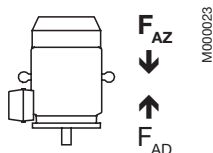
At 60 Hz the values are to be reduced by 10%.

Mounting arrangement IM B3



Motor size	20,000 hours								40,000 hours							
	2-pole		4-pole		6-pole		8-pole		2-pole		4-pole		6-pole		8-pole	
	F _{AD} N	F _{AZ} N	F _{AD} N	F _{AZ} N	F _{AD} N	F _{AZ} N	F _{AD} N	F _{AZ} N	F _{AD} N	F _{AZ} N	F _{AD} N	F _{AZ} N	F _{AD} N	F _{AZ} N	F _{AD} N	F _{AZ} N
71	270	270	360	360	440	440	-	-	200	200	270	270	320	320	-	-
80	430	430	590	590	710	710	800	800	320	320	440	440	530	530	600	600
90	470	470	650	650	780	780	870	870	350	350	470	470	580	580	650	650
100	650	650	880	880	1060	1060	1200	1200	480	480	650	650	780	780	890	890
112	840	840	1160	1160	1380	1380	1570	1570	620	620	850	850	1020	1020	1170	1170
132 S ₋	950	950	1300	1300	1540	1540	1760	1760	690	690	960	960	1140	1140	1310	1310
132 M ₋	-	-	1300	1300	1540	1540	1760	1760	-	-	950	950	1140	1140	1310	1310
160	1020	1020	1380	1380	1650	1650	1880	1880	740	740	1020	1020	1210	1210	1390	1390
180M	1970	1970	2660	2660	-	-	-	-	1440	1440	1970	1970	-	-	-	-
180L	-	-	2660	2660	3200	3200	3620	3620	-	-	1970	1970	2350	2350	2670	2670
200	2570	2570	3490	3490	4200	4200	4750	4750	1890	1890	2580	2580	3080	3080	3500	3500
225S	-	-	3900	3900	-	-	5310	5310	-	-	2880	2880	-	-	3900	3900
225M	2870	2870	3900	3900	4720	4720	5310	5310	2120	2120	2880	2880	3460	3460	3900	3900
250	3220	3220	4380	4380	5290	5290	5960	5960	2380	2380	3220	3220	3880	3880	4380	4380
280	7300	5300	8000	6000	9000	7000	10000	8000	5750	3750	6200	4200	6900	4900	7700	5700
315	7000	5000	9000	7000	10600	8600	11600	9600	5600	3600	6900	4900	7900	5900	8900	6900
355	10500	3500	13500	6500	15300	8300	16800	9800	8750	1750	10800	3800	12000	5000	13300	6300

Mounting arrangement IM V1



Motor size	20,000 hours								40,000 hours							
	2-pole		4-pole		6-pole		8-pole		2-pole		4-pole		6-pole		8-pole	
	F _{AD} N	F _{AZ} N	F _{AD} N	F _{AZ} N	F _{AD} N	F _{AZ} N	F _{AD} N	F _{AZ} N	F _{AD} N	F _{AZ} N	F _{AD} N	F _{AZ} N	F _{AD} N	F _{AZ} N	F _{AD} N	F _{AZ} N
71	280	260	380	350	450	420	-	-	210	190	280	250	340	310	-	-
80	450	410	620	560	740	560	830	770	340	300	460	410	550	500	620	560
90	500	440	590	600	820	730	920	830	380	320	510	440	620	530	690	600
100	710	590	950	800	1140	980	1280	1110	530	420	720	560	860	700	970	800
112	920	770	1260	1050	1490	1270	1680	1470	690	540	950	740	1130	910	1270	1060
132 S ₋	1050	830	1450	1160	1690	1400	1930	1600	800	570	1100	810	1280	990	1470	1140
132 M ₋	-	-	1480	1120	1730	1320	1950	1580	-	-	1130	770	1320	910	1490	1120
160 M ₋	1240	750	1670	1100	1960	1340	2140	1560	970	480	1300	730	1530	900	1650	1070
160 L ₋	1320	710	1730	1030	2050	1250	2260	1500	1050	440	1370	670	1610	820	1770	1010
180 M ₋	2320	1630	3100	2230	-	-	-	-	1780	1100	2400	1540	-	-	-	-
180 L ₋	-	-	3170	2150	3750	2650	4160	3100	-	-	2480	1460	2900	1800	3200	2140
200	3050	2050	4100	2880	4830	3510	5450	4060	2370	1370	3180	1970	3700	2390	4200	2800
225 S ₋	-	-	4680	3130	-	-	6120	4500	-	-	3650	2100	-	-	4720	3090
225 M ₋	3570	2180	4770	3040	5650	3790	6250	4370	2810	1420	3740	2020	4390	2530	4850	2960
250	4090	2360	5570	3180	6520	4070	7210	4700	3240	1520	4420	2030	5100	2650	5630	3120
280	8500	4300	9500	4600	11000	5500	12200	6600	6950	2700	7700	2800	8900	3350	9750	4200
315 SM ₋	9000	3700	11600	5400	13500	6200	14500	7500	7450	2100	9450	3200	10900	3650	11900	4650
315 ML ₋	9600	3400	12400	5000	14800	5600	16200	7000	8100	1850	10100	2850	12200	3150	13200	4150
355 S ₋	10000	¹⁾	18500	3800	21200	5000	23000	6800	12200	¹⁾	15700	1000	18000	1750	19400	3100

¹⁾ On request

Ordering information

When placing an order, please state the following minimum data in the order, as in the example.

The product code of the motor is composed in accordance with the following example.

Motor type	M2QA 90S4A
Pole number	4
Mounting arrangement (IM-code)	IM B3 (IM 1001)
Rated output	1.1 kW
Product code	3GQA092101-ADA
Variant codes if needed	

A	B	C	D, E, F	G	A Motor type
M2QA	90S4A	3GQA 092 101 - AD A 003 etc.			B Motor size
		1-4	5-6 7	8-10 11 12 13 14	C Product code
					D Mounting arrangement code
					E Voltage and frequency code
					F Generation code
					G Variant codes

Explanation of the product code (C, D, E, F):

Positions 1 to 4

3GQA = Totally enclosed fan cooled squirrel cage motor with cast iron frame

Positions 5 and 6

IEC frame

07 = 71	11 = 112	20 = 200	31 = 315
08 = 80	13 = 132	22 = 225	35 = 355
09 = 90	16 = 160	25 = 250	
10 = 100	18 = 180	28 = 280	

Position 7

Speed (Pole pairs)

1 = 2 poles	6 = 12 poles
2 = 4 poles	7 = >12 poles
3 = 6 poles	8 = Two-speed motors
4 = 8 poles	9 = Multi-speed motors
5 = 10 poles	

Positions 8 to 10

Serial number

Position 11

- (dash)

Position 12

Mounting arrangement

A = Foot-mounted, top-mounted terminal box

R = Foot-mounted, terminal box on RHS, seen from D-end

L = Foot-mounted, terminal box on LHS, seen from D-end

B = Flange-mounted, large flange

C = Flange-mounted, small flange sizes (71-112)

H = Foot- and flange-mounted

Position 13

Voltage and frequency code

See tables on appropriate page

Position 14

Generation code

A, B, C...

The product code must be, if needed, followed by variant codes.

Code letters for supplementing the product code

Code letter for voltage and frequency											
Direct start or, with Δ -connection, also Y/ Δ -start											
Motor size	S	D	H	E	F	T	U	X			
	50Hz	60 Hz	50 Hz	60 Hz	50 Hz	50 Hz	60 Hz	50 Hz	50 Hz	50 Hz	
71-250	220-240 V Δ 380-420 VY	440-480 VY	380-420 V Δ 660-690 VY	440-480V ¹⁾ Δ	415 V Δ	500 V Δ	575 V Δ	500 VY	660 V Δ	690 V Δ	Other rated voltage, connection or frequency, 690 V maximum
280-400	220, 230 V Δ 380,400,415VY	- 440VY	380, 400, 415 V Δ 660, 690 VY	440V Δ	415 V Δ	500 V Δ	-	500 VY	660 V Δ	690 V Δ	

¹⁾ 480 V not stamped on sizes 160 to 250

General purpose cast iron motors

Technical data for totally enclosed squirrel cage three phase motors



IP 55 – IC 411 – Insulation class F, temperature rise class B

Output kW	Motor type	Product code	Speed r/min	Efficiency		Power factor cos φ	Current		Torque				
				Full load 100%	3/4 load 75%		I _N	I _s	T _N	T _s	T _{max}		
3000 r/min = 2-poles				400 V 50 Hz				Basic design					
0.37	M2QA 71 M2A	3GQA 071 301-••A	2780	70.0	68.0	0.81	0.94	6.1	1.27	2.2	3.0		
0.55	M2QA 71 M2B	3GQA 071 302-••A	2785	73.0	72.4	0.82	1.33	6.1	1.89	2.2	2.7		
0.75	M2QA 80 M2A	3GQA 081 301-••A	2840	75.0	75.5	0.85	1.7	6.1	2.52	2.2	3.0		
1.1	M2QA 80 M2B	3GQA 081 302-••A	2855	78.0	77.9	0.85	2.4	7.0	3.68	2.2	2.2		
1.5	M2QA 90 S2A	3GQA 091 101-••A	2850	79.0	79.0	0.87	3.15	7.0	5.03	2.2	2.5		
1.5	M2QA 90 S2A	3GQA 091 101-••A	2850	79.0	79.0	0.87	3.15	7.0	5.03	2.2	2.5		
2.2	M2QA 90 L2A	3GQA 091 501-••A	2850	81.5	81.8	0.86	4.53	7.0	7.37	2.2	3.5		
3	M2QA 100 L2A	3GQA 101 501-••A	2860	83.0	83.2	0.88	5.93	7.0	10.02	2.2	3.0		
4	M2QA 112 M2A	3GQA 111 301-••A	2900	85.0	84.6	0.90	7.55	7.0	13.17	2.2	3.2		
5.5	M2QA 132 S2A	3GQA 131 101-••A	2920	87.5	87.9	0.89	10.2	7.0	17.99	2.2	3.0		
7.5	M2QA 132 S2B	3GQA 131 102-••A	2920	88.5	90.1	0.90	13.6	7.0	24.53	2.2	3.5		
11	M2QA 160 M2A	3GQA 161 301-••A	2930	90.0	90.5	0.89	19.82	6.5	35.85	2.5	3.1		
15	M2QA 160 M2B	3GQA 161 302-••A	2920	90.0	90.1	0.89	27.03	6.5	49.06	2.5	2.6		
18.5	M2QA 160 L2A	3GQA 161 501-••A	2930	90.5	90.9	0.90	32.78	6.5	60	2.5	2.7		
22	M2QA 180 M2A	3GQA 181 301-••A	2940	90.8	91.0	0.90	38.86	6.5	71	2.3	2.5		
30	M2QA 200 L2A	3GQA 201 501-••A	2955	91.4	91.1	0.90	52	6.5	96	2.2	2.6		
37	M2QA 200 L2B	3GQA 201 502-••A	2955	92.2	91.8	0.90	64	6.5	119	2.3	2.6		
45	M2QA 225 M2A	3GQA 221 301-••A	2970	92.6	92.2	0.89	78	7.0	144	2.5	2.7		
55	M2QA 250 M2A	3GQA 251 301-••A	2960	93.4	91.7	0.89	96	7.5	177	2.4	2.7		
75	M2BAT 280 SMA	3GBA 281 210-••D	2974	94.1	93.6	0.87	134	6.7	241	1.7	2.6		
90	²⁾ M2BAT 280 SMB	3GBA 281 220-••D	2970	94.5	94.2	0.89	156	6.4	289	1.7	2.5		
110	M2BAT 315 SMA	3GBA 311 210-••D	2979	94.1	93.4	0.85	198	6.3	353	1.5	2.5		
132	²⁾ M2BAT 315 SMB	3GBA 311 220-••D	2977	94.7	94.1	0.87	232	6.3	423	1.7	2.5		
160	²⁾ M2BAT 315 SMC	3GBA 311 230-••D	2976	95.1	94.8	0.88	273	6.2	513	1.7	2.4		
200	²⁾ M2BAT 315 MLA	3GBA 311 410-••D	2980	95.7	95.3	0.88	345	7.9	641	2.6	3.1		
250	M2BAT 355 S	3GBA 351 100-••D	2983	95.7	95.3	0.89	424	6.8	800	1.5	2.8		
3000 r/min = 2-poles				400 V 50 Hz				High-output design					
5.5	¹⁾ M2QA 112 L2 A	3GQA 111 501-••A	2900	82.0	³⁾	0.90	10.76	7.0	18.1	2.0	2.1		
9.2	¹⁾ M2QA 132 M2A	3GQA 131 301-••B	2910	85.5	³⁾	0.88	17.65	7.5	30.2	2.0	2.2		
11	¹⁾ M2QA 132 M2B	3GQA 131 302-••B	2900	88.0	³⁾	0.90	20.05	8.0	36.2	2.2	2.2		
22	¹⁾ M2QA 160 L2B	3GQA 161 502-••A	2930	88.0	³⁾	0.90	40.09	6.5	71	2.3	2.8		
30	¹⁾ M2QA 180 L2A	3GQA 181 501-••A	2950	90.8	³⁾	0.90	53	6.5	97	2.3	2.8		
45	¹⁾ M2QA 200 L2C	3GQA 201 503-••A	2955	92.0	³⁾	0.90	78	7.0	145	2.2	2.6		
55	¹⁾ M2QA 225 M2B	3GQA 221 302-••A	2975	92.6	³⁾	0.89	96	7.0	177	2.5	2.8		
75	¹⁾ M2QA 250 M2B	3GQA 251 302-••A	2970	91.0	³⁾	0.89	134	7.0	241	2.4	2.8		
110	²⁾ M2BAT 280 SMC	3GBA 281 230-••D	2973	95.0	94.8	0.90	187	6.7	353	1.9	2.6		

¹⁾ Temperature rise class F by voltage 400 V 50 Hz.

²⁾ Temperature rise class F by voltage 380 V 50 Hz.

³⁾ Missing data on request.

The two bullets in the product code indicate choice of mounting arrangement, voltage and frequency (see ordering information page).

General purpose cast iron motors

Technical data for totally enclosed squirrel cage three phase motors

IP 55 – IC 411 – Insulation class F, temperature rise class B

Output kW	Motor type	Speed r/min	Efficiency %	Power factor cos φ	Current I _N A	Speed r/min	Efficiency %	Power factor cos φ	Current I _N A	Moment of inertia J=1/4 GD ² kgm ²	Weight kg	Sound pressure level L _p dB(A)	
3000 r/min = 2-poles		380 V 50 Hz				415 V 50 Hz				Basic design			
0.37	M2QA 71 M2A	2765	70.0	0.83	0.97	2795	70.0	0.79	0.93	0.0003	10	56	
0.55	M2QA 71 M2B	2780	73.0	0.84	1.37	2800	73.0	0.79	1.33	0.00037	11	56	
0.75	M2QA 80 M2A	2825	75.5	0.86	1.75	2855	75.0	0.85	1.64	0.00091	16	57	
1.1	M2QA 80 M2B	2840	77.5	0.86	2.52	2870	78.0	0.83	2.37	0.00107	17	58	
1.5	M2QA 90 S2A	2835	79.0	0.90	3.23	2865	79.0	0.86	3.08	0.00135	21	61	
1.5	M2QA 90 S2A	2835	79.0	0.90	3.23	2865	79.0	0.86	3.08	0.00135	21	61	
2.2	M2QA 90 L2A	2835	81.5	0.89	4.61	2865	81.0	0.83	4.56	0.00163	24	61	
3	M2QA 100 L2A	2845	83.0	0.90	6.14	2875	83.5	0.86	5.85	0.00402	33	65	
4	M2QA 112 M2A	2885	85.0	0.92	7.82	2915	85.0	0.87	7.53	0.00671	42	67	
5.5	M2QA 132 S2A	2905	87.5	0.90	10.7	2935	88.0	0.88	9.94	0.01241	58	70	
7.5	M2QA 132 S2B	2905	87.5	0.90	14.5	2935	89.0	0.90	13.1	0.01491	63	70	
11	M2QA 160 M2A	2918	90.0	0.91	20.41	2930	90.0	0.87	19.54	0.0436	112	72	
15	M2QA 160 M2B	2917	90.0	0.91	27.82	2932	90.0	0.88	26.35	0.0551	122	72	
18.5	M2QA 160 L2A	2920	90.5	0.91	34.13	2935	90.5	0.89	31.95	0.06549	142	72	
22	M2QA 180 M2A	2940	90.8	0.91	40.45	2955	90.8	0.88	38.3	0.08805	170	72	
30	M2QA 200 L2A	2950	91.2	0.91	54	2960	91.3	0.89	51	0.14821	235	81	
37	M2QA 200 L2B	2950	91.7	0.91	67	2960	92.3	0.89	62	0.16822	254	81	
45	M2QA 225 M2A	2965	92.2	0.90	82	2975	92.6	0.87	77	0.29345	328	81	
55	M2QA 250 M2A	2956	93.2	0.90	100	2962	93.5	0.88	93	0.3784	390	84	
75	M2BAT 280 SMA	2970	94.0	0.88	137	2976	94.2	0.86	130	0.7	570	78	
90	²⁾ M2BAT 280 SMB	2966	94.2	0.89	163	2974	94.6	0.88	151	0.82	610	78	
110	M2BAT 315 SMA	2976	94.1	0.86	208	2980	94.1	0.83	197	1.05	820	83	
132	²⁾ M2BAT 315 SMB	2974	94.5	0.87	243	2979	94.7	0.85	230	1.25	870	83	
160	²⁾ M2BAT 315 SMC	2972	95.0	0.88	290	2978	95.2	0.88	265	1.5	960	83	
200	²⁾ M2BAT 315 MLA	2978	95.6	0.89	358	2982	95.7	0.87	335	1.95	1130	83	
250	M2BAT 355 S	2981	95.7	0.90	440	2984	95.7	0.88	412	2.7	1500	83	
3000 r/min = 2-poles		380 V 50 Hz				415 V 50 Hz				High-output design			
5.5	¹⁾ M2QA 112 L2 A	³⁾	³⁾	³⁾	³⁾	³⁾	³⁾	³⁾	³⁾	0.00826	49	70	
9.2	¹⁾ M2QA 132 M2A	³⁾	³⁾	³⁾	³⁾	³⁾	³⁾	³⁾	³⁾	0.01500	68	71	
11	¹⁾ M2QA 132 M2B	³⁾	³⁾	³⁾	³⁾	³⁾	³⁾	³⁾	³⁾	0.01768	73	73	
22	¹⁾ M2QA 160 L2B	³⁾	³⁾	³⁾	³⁾	³⁾	³⁾	³⁾	³⁾	0.06549	130	75	
30	¹⁾ M2QA 180 L2A	³⁾	³⁾	³⁾	³⁾	³⁾	³⁾	³⁾	³⁾	0.10339	185	75	
45	¹⁾ M2QA 200 L2C	³⁾	³⁾	³⁾	³⁾	³⁾	³⁾	³⁾	³⁾	0.18473	276	81	
55	¹⁾ M2QA 225 M2B	³⁾	³⁾	³⁾	³⁾	³⁾	³⁾	³⁾	³⁾	0.33431	340	81	
75	¹⁾ M2QA 250 M2B	³⁾	³⁾	³⁾	³⁾	³⁾	³⁾	³⁾	³⁾	0.45829	411	85	
110	²⁾ M2BAT 280 SMC	2968	94.8	0.90	198	2975	95.1	0.89	180	1.05	660	78	

General purpose cast iron motors

Technical data for totally enclosed squirrel cage three phase motors



IP 55 – IC 411 – Insulation class F, temperature rise class B

Output kW	Motor type	Product code	Speed r/min	Efficiency		Power factor cos φ 100%	Current I _N A	Torque				
				Full load 100%	3/4 load 75%			T _N Nm	T _s T _N	T _{max} T _N		
1500 r/min = 4-poles				400 V 50 Hz				Basic design				
0.25	M2QA	71 M4A	3GQA 072 301-••A	1395	65.5	63.3	0.72	0.77	5.2	1.71	2.1	2.7
0.37	M2QA	71 M4B	3GQA 072 302-••A	1395	68.5	69.4	0.75	1.04	5.2	2.53	2.1	2.7
0.55	M2QA	80 M4A	3GQA 082 301-••A	1410	73.5	71.4	0.72	1.5	5.2	3.73	2.4	2.7
0.75	M2QA	80 M4B	3GQA 082 302-••A	1415	74.5	75.2	0.75	1.93	6.0	5.06	2.4	2.6
1.1	M2QA	90 S4A	3GQA 092 101-••A	1400	77.5	77.8	0.78	2.65	6.0	7.5	2.3	2.4
1.5	M2QA	90 L4A	3GQA 092 501-••A	1390	78.5	79.2	0.79	3.5	6.0	10.31	2.3	2.6
2.2	M2QA	100 L4A	3GQA 102 501-••A	1430	81.5	82.3	0.81	4.85	6.0	14.69	2.3	2.7
3	M2QA	100 L4B	3GQA 102 502-••A	1420	82.8	82.5	0.83	6.3	6.5	20.18	2.3	2.8
4	M2QA	112 M4A	3GQA 112 301-••A	1430	85.0	84.6	0.82	8.29	6.5	26.71	2.3	2.8
5.5	M2QA	132 S4A	3GQA 132 101-••A	1430	86.0	87.1	0.85	10.9	6.5	36.73	2.3	2.9
7.5	M2QA	132 M4A	3GQA 132 301-••A	1440	88.5	88.3	0.85	14.4	6.5	49.74	2.3	2.7
11	M2QA	160 M4A	3GQA 162 301-••A	1460	89.5	90.0	0.85	20.87	6.5	71	2.4	2.8
15	M2QA	160 L4A	3GQA 162 501-••A	1460	90.0	90.4	0.86	27.97	6.5	98	2.3	2.4
18.5	M2QA	180 M4A	3GQA 182 301-••A	1470	91.0	90.9	0.86	34.12	6.5	120	2.3	3.0
22	M2QA	180 L4A	3GQA 182 501-••A	1470	91.5	90.0	0.88	39.44	6.5	142	2.4	3.0
30	M2QA	200 L4A	3GQA 202 501-••A	1470	92.2	91.8	0.88	53	6.5	194	2.2	2.9
37	M2QA	225 S4A	3GQA 222 101-••A	1480	92.6	91.2	0.85	67	7.0	238	2.2	2.7
45	M2QA	225 M4A	3GQA 222 301-••A	1480	92.8	91.7	0.87	80	7.0	290	2.2	2.7
55	M2QA	250 M4A	3GQA 252 301-••A	1480	93.4	91.3	0.87	98	7.0	354	2.4	2.7
75	²⁾ M2BAT	280 SMA	3GBA 282 210-••D	1483	94.2	94.2	0.83	138	6.3	483	2.1	2.6
90	²⁾ M2BAT	280 SMB	3GBA 282 220-••D	1481	94.6	94.7	0.86	162	6.4	580	2.1	2.4
110	²⁾ M2BAT	315 SMA	3GBA 312 210-••D	1486	94.6	94.2	0.84	203	6.4	707	1.7	2.3
132	²⁾ M2BAT	315 SMB	3GBA 312 220-••D	1485	94.9	94.7	0.85	239	6.1	849	1.9	2.4
160	²⁾ M2BAT	315 SMC	3GBA 312 230-••D	1486	95.4	95.2	0.85	286	6.7	1028	2.1	2.6
200	²⁾ M2BAT	315 MLA	3GBA 312 410-••D	1485	95.7	95.6	0.86	354	6.4	1286	2.1	2.5
250	M2BAT	355 S	3GBA 352 100-••D	1488	95.6	95.3	0.85	448	6.7	1604	2.0	2.6
1500 r/min = 4-poles				400 V 50 Hz				High-output design				
5.5	¹⁾ M2QA	112 L4A	3GQA 112 501-••A	1430	84.0	0.0	0.83	11.39	7.0	36.7	2.2	2.2
9.2	¹⁾ M2QA	132 M4B	3GQA 132 302-••A	1430	84.0	0.0	0.85	18.6	6.5	61	2.2	2.2
11	¹⁾ M2QA	132 M4C	3GQA 132 303-••A	1430	84.5	0.0	0.85	22.11	6.5	73	2.2	2.2
18.5	¹⁾ M2QA	160 L4B	3GQA 162 502-••A	1460	87.0	0.0	0.86	35.69	6.5	121	2.2	2.4
30	¹⁾ M2QA	180 L4B	3GQA 182 502-••A	1470	89.0	0.0	0.88	55	6.5	195	2.2	2.6
37	¹⁾ M2QA	200 L4B	3GQA 202 502-••A	1470	89.2	0.0	0.88	68	6.5	240	2.2	2.6
55	¹⁾ M2QA	225 M4B	3GQA 222 302-••A	1480	91.0	0.0	0.87	100	7.0	355	2.3	2.4
75	¹⁾ M2QA	250 M4B	3GQA 252 302-••A	1480	90.4	0.0	0.87	137	7.0	484	2.3	2.4
110	²⁾ M2BAT	280 SMC	3GBA 282 230-••D	1484	95.1	95.1	0.85	196	7.1	708	2.7	2.8

¹⁾ Temperature rise class F by voltage 400 V 50 Hz.

²⁾ Temperature rise class F by voltage 380 V 50 Hz.

³⁾ Missing data on request.

The two bullets in the product code indicate choice of mounting arrangement, voltage and frequency (see ordering information page).

General purpose cast iron motors

Technical data for totally enclosed squirrel cage three phase motors

IP 55 – IC 411 – Insulation class F, temperature rise class B

Output kW	Motor type	Speed r/min	Efficiency %	Power factor cos φ	Current I _N A	Speed r/min	Efficiency %	Power factor cos φ	Current I _N A	Moment of inertia J=1/4 GD ² kgm ²	Weight kg	Sound pressure level L _p dB(A)	
1500 r/min = 4-poles		380 V 50 Hz				415 V 50 Hz				Basic design			
0.25	M2QA 71 M4A	1385	66.0	0.74	0.78	1405	64.0	0.69	0.79	0.00053	11	43	
0.37	M2QA 71 M4B	1385	69.0	0.78	1.05	1405	68.0	0.71	1.07	0.00066	11	45	
0.55	M2QA 80 M4A	1400	73.5	0.75	1.52	1420	72.5	0.68	1.55	0.00145	16	46	
0.75	M2QA 80 M4B	1405	74.5	0.78	1.97	1425	74.0	0.72	1.96	0.00174	17	46	
1.1	M2QA 90 S4A	1390	77.0	0.80	2.72	1410	77.5	0.75	2.65	0.00254	21	52	
1.5	M2QA 90 L4A	1380	78.5	0.80	3.64	1400	78.5	0.77	3.48	0.00317	25	52	
2.2	M2QA 100 L4A	1420	81.5	0.82	4.98	1440	81.4	0.78	4.85	0.00679	32	53	
3	M2QA 100 L4B	1410	82.5	0.85	6.5	1430	82.7	0.82	6.17	0.00862	36	53	
4	M2QA 112 M4A	1420	84.5	0.84	8.57	1440	85.0	0.80	8.24	0.01306	45	56	
5.5	M2QA 132 S4A	1420	85.5	0.87	11.3	1440	86.5	0.83	10.7	0.02673	60	59	
7.5	M2QA 132 M4A	1430	88.0	0.85	15.2	1450	88.0	0.84	14.1	0.03432	73	59	
11	M2QA 160 M4A	1455	89.5	0.87	21.46	1463	89.5	0.83	20.6	0.06543	116	66	
15	M2QA 160 L4A	1452	90.0	0.88	28.78	1461	90.0	0.85	27.28	0.09349	137	66	
18.5	M2QA 180 M4A	1465	91.0	0.88	35.1	1470	91.0	0.82	34.49	0.16049	170	66	
22	M2QA 180 L4A	1465	91.5	0.90	40.59	1475	91.5	0.86	38.9	0.18046	186	66	
30	M2QA 200 L4A	1465	92.3	0.89	55	1470	92.2	0.88	55	0.2819	254	71	
37	M2QA 225 S4A	1475	92.3	0.85	71	1480	92.0	0.82	68	0.37	308	73	
45	M2QA 225 M4A	1475	92.6	0.88	83	1480	92.8	0.85	79	0.42	335	73	
55	M2QA 250 M4A	1477	93.2	0.88	102	1482	93.6	0.86	95	0.78	450	76	
75	²⁾ M2BAT 280 SMA	1480	94.0	0.85	143	1484	94.2	0.82	137	1.05	560	71	
90	²⁾ M2BAT 280 SMB	1478	94.2	0.86	169	1483	94.7	0.85	157	1.32	600	71	
110	²⁾ M2BAT 315 SMA	1484	94.5	0.85	209	1487	94.6	0.82	198	1.9	800	78	
132	²⁾ M2BAT 315 SMB	1483	94.8	0.86	248	1486	95.0	0.84	232	2.2	855	78	
160	²⁾ M2BAT 315 SMC	1483	95.0	0.86	300	1487	95.4	0.84	279	2.6	930	78	
200	²⁾ M2BAT 315 MLA	1482	95.2	0.86	375	1486	95.7	0.85	343	3.2	1030	78	
250	M2BAT 355 S	1487	95.6	0.86	465	1489	95.6	0.84	438	5.4	1500	82	
1500 r/min = 4-poles		380 V 50 Hz				415 V 50 Hz				High-output design			
5.5	¹⁾ M2QA 112 L4A	³⁾	³⁾	³⁾	³⁾	³⁾	³⁾	³⁾	³⁾	0.01484	49	64	
9.2	¹⁾ M2QA 132 M4B	³⁾	³⁾	³⁾	³⁾	³⁾	³⁾	³⁾	³⁾	0.0347	75	71	
11	¹⁾ M2QA 132 M4C	³⁾	³⁾	³⁾	³⁾	³⁾	³⁾	³⁾	³⁾	0.04227	80	73	
18.5	¹⁾ M2QA 160 L4B	³⁾	³⁾	³⁾	³⁾	³⁾	³⁾	³⁾	³⁾	0.10686	147	66	
30	¹⁾ M2QA 180 L4B	³⁾	³⁾	³⁾	³⁾	³⁾	³⁾	³⁾	³⁾	0.20783	200	70	
37	¹⁾ M2QA 200 L4B	³⁾	³⁾	³⁾	³⁾	³⁾	³⁾	³⁾	³⁾	0.29715	277	72	
55	¹⁾ M2QA 225 M4B	³⁾	³⁾	³⁾	³⁾	³⁾	³⁾	³⁾	³⁾	0.6244	351	75	
75	¹⁾ M2QA 250 M4B	³⁾	³⁾	³⁾	³⁾	³⁾	³⁾	³⁾	³⁾	0.9125	485	77	
110	²⁾ M2BAT 280 SMC	1481	94.8	0.86	204	1485	95.2	0.84	191	1.7	660	71	

General purpose cast iron motors

Technical data for totally enclosed squirrel cage three phase motors

IP 55 – IC 411 – Insulation class F, temperature rise class B

Output kW	Motor type	Product code	Speed r/min	Efficiency		Power factor cos φ 100%	Current		Torque			
				Full load 100%	3/4 load 75%		I _N A	I _s I _N	T _N Nm	T _s T _N	T _{max} T _N	
1000 r/min = 6-poles				400 V 50 Hz				Basic design				
0.18	M2QA	71 M6A	3GQA 073 301-••A	910	55.0	50.1	0.65	0.73	4.0	1.89	1.8	2.4
0.25	M2QA	71 M6B	3GQA 073 302-••A	890	60.0	58.3	0.65	0.93	4.0	2.68	1.8	2.5
0.37	M2QA	80 M6A	3GQA 083 301-••A	930	63.0	63.2	0.66	1.29	5.0	3.8	1.9	2.0
0.55	M2QA	80 M6B	3GQA 083 302-••A	925	65.0	65.1	0.68	1.8	5.0	5.68	1.9	1.8
0.75	M2QA	90 S6A	3GQA 093 101-••A	920	71.0	70.2	0.72	2.12	5.0	7.79	2.0	2.3
1.1	M2QA	90 L6A	3GQA 093 501-••A	920	73.0	73.1	0.74	2.94	5.0	11.42	2.0	2.6
1.5	M2QA	100 L6A	3GQA 103 501-••A	940	76.0	75.3	0.77	3.78	5.5	15.24	2.0	2.4
2.2	M2QA	112 M6A	3GQA 113 301-••A	940	80.0	81.2	0.76	5.23	5.5	22.35	2.0	2.3
3	M2QA	132 S6A	3GQA 133 101-••A	960	82.5	83.5	0.78	6.73	6.5	29.84	2.0	2.4
4	M2QA	132 M6A	3GQA 133 301-••A	960	84.0	84.2	0.77	8.93	6.5	39.79	2.0	2.9
5.5	M2QA	132 M6B	3GQA 133 302-••A	960	86.0	85.6	0.79	11.7	6.5	54	2.0	3.0
7.5	M2QA	160 M6A	3GQA 163 301-••A	970	88.0	88.3	0.78	15.77	6.0	73	2.0	2.3
11	M2QA	160 L6A	3GQA 163 501-••A	970	88.5	88.6	0.78	23	6.0	108	2.2	2.4
15	M2QA	180 L6A	3GQA 183 501-••A	980	89.0	89.1	0.82	29.67	6.0	146	2.3	2.9
18.5	M2QA	200 L6A	3GQA 203 501-••A	980	90.3	90.2	0.82	36.06	6.0	180	2.2	2.5
22	M2QA	200 L6B	3GQA 203 502-••A	980	90.4	90.3	0.83	42.32	6.0	214	2.1	3.2
30	M2QA	225 M6A	3GQA 223 301-••A	980	90.8	89.2	0.78	61	6.6	292	2.2	2.9
37	M2QA	250 M6A	3GQA 253 301-••A	980	92.2	92.4	0.88	66	6.8	360	2.3	2.6
45	M2BAT	280 SMA	3GBA 283 210-••D	990	93.5	93.3	0.82	85	6.7	434	2.4	2.4
55	M2BAT	280 SMB	3GBA 283 220-••D	989	93.8	93.7	0.83	103	6.4	531	2.4	2.4
75	²⁾ M2BAT	315 SMA	3GBA 313 210-••D	992	94.2	94.0	0.80	145	6.3	722	1.9	2.3
90	²⁾ M2BAT	315 SMB	3GBA 313 220-••D	991	94.8	94.7	0.83	166	6.5	867	1.9	2.3
110	²⁾ M2BAT	315 SMC	3GBA 313 230-••D	991	95.1	95.0	0.82	206	6.7	1060	2.1	2.6
132	²⁾ M2BAT	315 MLA	3GBA 313 410-••D	991	95.3	95.2	0.83	242	6.5	1272	2.2	2.5
160	M2BAT	355 S	3GBA 353 100-••D	992	95.3	95.2	0.83	293	6.2	1540	1.8	2.3
1000 r/min = 6-poles				400 V 50 Hz				High-output design				
3	¹⁾ M2QA	112 M6B	3GQA 113 302-••A	950	77.0	³⁾ 77.0	0.76	740	6.5	30.2	1.9	2.1
6.5	¹⁾ M2QA	132 M6C	3GQA 133 303-••A	970	83.0	³⁾ 83.0	0.78	14.49	6.5	64	1.9	2.1
14	¹⁾ M2QA	160 L6B	3GQA 163 502-••A	970	85.5	³⁾ 85.5	0.78	30.3	6.0	138	2.1	2.2
18.5	¹⁾ M2QA	180 L6B	3GQA 183 502-••A	980	86.0	³⁾ 86.0	0.82	37.87	6.0	180	2.2	2.7
30	¹⁾ M2QA	200 L6C	3GQA 203 503-••A	980	87.4	³⁾ 87.4	0.78	63	6.0	292	2.0	2.6
37	¹⁾ M2QA	225 M6B	3GQA 223 302-••A	980	87.8	³⁾ 87.8	0.78	78	6.6	361	2.1	2.6
45	¹⁾ M2QA	250 M6B	3GQA 253 302-••A	980	89.2	³⁾ 89.2	0.88	82	6.8	439	2.2	2.6
75	M2BAT	280 SMC	3GBA 283 230-••D	989	94.5	94.5	0.83	139	6.9	724	2.6	2.5

¹⁾ Temperature rise class F by voltage 400 V 50 Hz.

²⁾ Temperature rise class F by voltage 380 V 50 Hz.

³⁾ Missing data on request.

The two bullets in the product code indicate choice of mounting arrangement, voltage and frequency (see ordering information page).

General purpose cast iron motors

Technical data for totally enclosed squirrel cage three phase motors

IP 55 – IC 411 – Insulation class F, temperature rise class B

Output kW	Motor type	Speed r/min	Efficiency %	Power factor cos φ	Current I _N A	Speed r/min	Efficiency %	Power factor cos φ	Current I _N A	Moment of inertia J=1/4 GD ² kgm ²	Weight kg	Sound pressure level L _p dB(A)
1000 r/min = 6-poles			380 V 50 Hz			415 V 50 Hz			Basic design			
0.18	M2QA 71 M6A	905	55.5	0.69	0.72	915	52.5	0.62	0.77	0.00056	10	42
0.25	M2QA 71 M6B	885	60.0	0.65	0.98	895	59.0	0.62	0.95	0.00074	11	42
0.37	M2QA 80 M6A	925	63.5	0.70	1.29	935	62.0	0.62	1.33	0.00159	17	45
0.55	M2QA 80 M6B	920	65.0	0.71	1.82	930	65.5	0.66	1.79	0.00196	18	45
0.75	M2QA 90 S6A	915	71.0	0.75	2.13	925	70.5	0.69	2.15	0.00292	21	48
1.1	M2QA 90 L6A	915	73.0	0.77	2.98	925	73.0	0.70	2.98	0.00379	25	48
1.5	M2QA 100 L6A	935	76.0	0.79	3.8	945	75.5	0.75	3.73	0.00999	32	51
2.2	M2QA 112 M6A	935	79.0	0.77	5.5	945	80.0	0.75	5.14	0.03116	40	54
3	M2QA 132 S6A	955	82.0	0.81	6.87	965	82.5	0.76	6.66	0.03116	55	56
4	M2QA 132 M6A	955	84.0	0.77	9.39	965	84.0	0.75	8.84	0.04074	65	56
5.5	M2QA 132 M6B	945	85.5	0.80	12.3	955	86.0	0.78	11.4	0.05332	75	56
7.5	M2QA 160 M6A	968	88.0	0.79	16.39	975	88.0	0.75	15.81	0.09231	119	61
11	M2QA 160 L6A	966	88.5	0.80	23.61	975	88.5	0.75	23.06	0.1297	140	62
15	M2QA 180 L6A	980	89.0	0.84	30.48	985	89.0	0.79	29.68	0.2418	180	63
18.5	M2QA 200 L6A	975	90.6	0.84	36.94	980	90.1	0.79	36.16	0.34174	231	64
22	M2QA 200 L6B	975	90.9	0.84	43.79	980	90.1	0.81	41.93	0.46837	254	64
30	M2QA 225 M6A	980	90.5	0.78	64	980	90.9	0.76	60	0.62691	308	66
37	M2QA 250 M6A	978	92.0	0.90	68	982	92.3	0.86	64	0.97	382	68
45	M2BAT 280 SMA	988	93.9	0.83	89	990	93.5	0.80	84	1.6	540	71
55	M2BAT 280 SMB	987	93.5	0.84	108	990	93.8	0.82	101	1.9	580	71
75	²⁾ M2BAT 315 SMA	990	94.1	0.82	148	992	94.2	0.77	143	2.8	780	75
90	²⁾ M2BAT 315 SMB	990	95.7	0.84	174	992	94.8	0.81	163	3.6	870	75
110	²⁾ M2BAT 315 SMC	990	94.9	0.83	215	991	95.0	0.80	203	4.4	930	75
132	²⁾ M2BAT 315 MLA	989	95.1	0.83	255	991	95.3	0.82	237	5.3	1040	75
160	M2BAT 355 S	991	95.2	0.83	307	993	95.3	0.82	287	7.3	1500	77
1000 r/min = 6-poles			380 V 50 Hz			415 V 50 Hz			High-output design			
3	¹⁾ M2QA 112 M6B ³⁾	³⁾	³⁾	³⁾	³⁾	³⁾	³⁾	³⁾	³⁾	0.0199	45	56
6.5	¹⁾ M2QA 132 M6C ³⁾	³⁾	³⁾	³⁾	³⁾	³⁾	³⁾	³⁾	³⁾	0.0611	75	59
14	¹⁾ M2QA 160 L6B ³⁾	³⁾	³⁾	³⁾	³⁾	³⁾	³⁾	³⁾	³⁾	0.139	155	64
18.5	¹⁾ M2QA 180 L6B ³⁾	³⁾	³⁾	³⁾	³⁾	³⁾	³⁾	³⁾	³⁾	0.28398	196	65
30	¹⁾ M2QA 200 L6C ³⁾	³⁾	³⁾	³⁾	³⁾	³⁾	³⁾	³⁾	³⁾	0.495	291	66
37	¹⁾ M2QA 225 M6B ³⁾	³⁾	³⁾	³⁾	³⁾	³⁾	³⁾	³⁾	³⁾	0.80327	351	68
45	¹⁾ M2QA 250 M6B ³⁾	³⁾	³⁾	³⁾	³⁾	³⁾	³⁾	³⁾	³⁾	1.32	455	71
75	M2BAT 280 SMC	987	94.3	0.84	144	990	94.6	0.82	135	2.6	660	71

General purpose cast iron motors

Technical data for totally enclosed squirrel cage three phase motors

IP 55 – IC 411 – Insulation class F, temperature rise class B

Output kW	Motor type	Product code	Speed r/min	Efficiency		Power factor cos φ 100%	Current I _N A	Torque					
				Full load 100%	3/4 load 75%			T _N Nm	T _s Nm	T _{max} Nm			
750 r/min = 8-poles				400 V 50 Hz				Basic design					
0.18	M2QA	80 M8A	3GQA	084 301-••A	700	51.0	50.1	0.60	0.85	3.3	2.46	1.8	1.9
0.25	M2QA	80 M8B	3GQA	084 302-••A	700	54.5	53.3	0.60	1.11	3.6	3.41	1.8	1.9
0.37	M2QA	90 S8A	3GQA	094 101-••A	700	62.5	62.1	0.60	1.42	4.4	5.05	1.8	1.9
0.55	M2QA	90 L8A	3GQA	094 501-••A	700	63.5	63.3	0.60	2.07	4.7	7.5	1.8	2.0
0.75	M2QA	100 L8A	3GQA	104 501-••A	700	70.0	70.1	0.64	2.42	5.0	10.23	1.8	2.2
1.1	M2QA	100 L8B	3GQA	104 502-••A	700	71.5	70.3	0.65	3.45	5.0	15.01	1.8	2.4
1.5	M2QA	112 M8A	3GQA	114 301-••A	700	75.0	75.4	0.68	4.27	5.0	20.46	1.8	2.4
2.2	M2QA	132 S8A	3GQA	134 101-••A	710	81.0	81.8	0.70	5.6	5.5	29.59	1.8	2.5
3	M2QA	132 M8A	3GQA	134 301-••A	710	81.0	81.4	0.75	7.13	5.5	40.35	1.8	2.2
4	M2QA	160 M8A	3GQA	164 301-••A	720	84.0	84.0	0.73	9.42	5.5	53	2.1	2.6
5.5	M2QA	160 M8B	3GQA	164 302-••A	720	85.5	85.6	0.74	12.55	5.5	72	2.1	2.8
7.5	M2QA	160 L8A	3GQA	164 501-••A	720	86.5	85.8	0.74	16.91	5.5	99	2.1	2.5
11	M2QA	180 L8A	3GQA	184 501-••A	730	87.7	87.0	0.77	23.51	5.4	143	2.0	2.8
15	M2QA	200 L8A	3GQA	204 501-••A	730	89.0	89.4	0.76	32.009	5.5	196	2.3	2.8
18.5	M2QA	225 S8A	3GQA	224 101-••A	740	90.0	89.1	0.75	39.56	5.5	238	2.1	2.7
22	M2QA	225 M8A	3GQA	224 301-••A	740	90.5	88.2	0.75	46.78	6.0	283	2.2	2.7
30	M2QA	250 M8A	3GQA	254 301-••A	740	91.3	90.1	0.79	60	6.5	387	2.3	2.4
37	M2BAT	280 SMA	3GBA	284 210-••D	741	93.5	93.3	0.78	74	7.3	477	1.8	3.0
45	M2BAT	280 SMB	3GBA	284 220-••D	741	94.0	93.8	0.78	90	7.6	580	1.9	3.2
55	M2BAT	315 SMA	3GBA	314 210-••D	742	94.1	94.0	0.81	104	7.1	708	1.6	2.7
75	M2BAT	315 SMB	3GBA	314 220-••D	741	94.5	94.4	0.82	141	7.1	968	1.7	2.7
90	M2BAT	315 SMC	3GBA	314 230-••D	741	94.8	94.7	0.82	167	7.4	1161	1.8	2.7
110	M2BAT	315 MLA	3GBA	314 410-••D	740	95.0	95.0	0.83	203	7.3	1420	1.8	2.7
132	M2BAT	355 S	3GBA	354 100-••D	743	95.0	94.9	0.81	247	6.5	1697	1.3	2.3
750 r/min = 8-poles				400 V 50 Hz				High-output design					
2	¹⁾ M2QA	112 M8B	3GQA	114 302-••A	700	72.0	²⁾	0.68	5.94	5.2	27.3	1.7	1.9
3.8	¹⁾ M2QA	132 M8B	3GQA	134 302-••A	710	78.0	²⁾	0.75	9.38	5.5	51	1.7	1.9
8.5	¹⁾ M2QA	160 L8B	3GQA	164 502-••A	720	83.5	²⁾	0.74	19.86	5.5	113	2.0	2.4
15	¹⁾ M2QA	180 L8B	3GQA	184 502-••A	730	84.7	²⁾	0.77	33.2	5.4	196	1.9	2.6
18.5	¹⁾ M2QA	200 L8B	3GQA	204 502-••A	730	86.0	²⁾	0.76	40.85	5.4	242	1.9	2.6
30	¹⁾ M2QA	225 M8B	3GQA	224 302-••A	740	87.5	²⁾	0.75	66	6.3	387	2.1	2.6
37	¹⁾ M2QA	250 M8B	3GQA	254 302-••A	740	88.3	²⁾	0.79	76	6.5	478	2.2	2.5
55	M2BAT	280 SMC	3GBA	284 230-••D	741	94.4	94.3	0.79	108	7.8	709	1.9	3.2

¹⁾ Temperature rise class F by voltage 400 V 50 Hz.

²⁾ Missing data on request.

The two bullets in the product code indicate choice of mounting arrangement, voltage and frequency (see ordering information page).

General purpose cast iron motors

Technical data for totally enclosed squirrel cage three phase motors

IP 55 – IC 411 – Insulation class F, temperature rise class B

Output kW	Motor type	Speed r/min	Efficiency %	Power factor cos φ	Current I _N A	Speed r/min	Efficiency %	Power factor cos φ	Current I _N A	Moment of inertia J=1/4 GD ² kgm ²	Weight kg	Sound pressure level L _p dB(A)	
750 r/min = 8-poles		380 V 50 Hz				415 V 50 Hz				Basic design			
0.18	M2QA 80 M8A	695	51.0	0.61	0.88	705	51.5	0.60	0.82	0.00111	16	42	
0.25	M2QA 80 M8B	695	54.0	0.61	1.16	705	54.5	0.60	1.08	0.00326	17	42	
0.37	M2QA 90 S8A	695	62.0	0.61	1.49	705	62.5	0.60	1.38	0.00541	21	46	
0.55	M2QA 90 L8A	695	63.0	0.61	2.18	705	63.5	0.60	2.01	0.00756	24	46	
0.75	M2QA 100 L8A	695	70.0	0.67	2.43	705	69.0	0.64	2.39	0.00971	31	53	
1.1	M2QA 100 L8B	695	71.5	0.68	3.45	705	70.5	0.62	3.47	0.01186	34	53	
1.5	M2QA 112 M8A	695	75.0	0.68	4.47	705	75.0	0.67	4.16	0.01559	42	55	
2.2	M2QA 132 S8A	705	80.5	0.75	5.6	715	80.5	0.69	5.55	0.03625	56	55	
3	M2QA 132 M8A	705	81.0	0.78	7.22	715	81.0	0.72	7.11	0.04141	64	56	
4	M2QA 160 M8A	715	84.0	0.76	9.52	720	84.0	0.70	9.46	0.0676	105	58	
5.5	M2QA 160 M8B	715	85.5	0.76	12.86	720	85.5	0.70	12.78	0.09524	125	58	
7.5	M2QA 160 L8A	715	86.5	0.77	17.11	722	86.5	0.70	17.23	0.12122	142	58	
11	M2QA 180 L8A	725	87.7	0.79	24.12	730	87.7	0.74	23.58	0.23645	176	61	
15	M2QA 200 L8A	725	88.9	0.78	32.86	730	88.8	0.74	31.75	0.37103	235	63	
18.5	M2QA 225 S8A	740	89.9	0.75	41.69	745	90.3	0.71	40.14	0.53287	290	65	
22	M2QA 225 M8A	740	90.4	0.76	48.65	745	90.3	0.71	47.74	0.65825	302	65	
30	M2QA 250 M8A	738	91.1	0.80	63	741	91.4	0.78	58	0.975	392	67	
37	M2BAT 280 SMA	740	93.2	0.80	75	742	93.4	0.76	73	1.85	570	65	
45	M2BAT 280 SMB	740	93.8	0.80	92	742	94.0	0.75	90	2.2	610	65	
55	M2BAT 315 SMA	741	93.9	0.83	108	743	94.1	0.79	103	3.2	820	65	
75	M2BAT 315 SMB	740	94.3	0.83	147	742	94.5	0.81	137	4.1	910	65	
90	M2BAT 315 SMC	740	94.6	0.84	173	742	94.8	0.81	164	4.9	980	65	
110	M2BAT 315 MLA	739	94.9	0.84	210	741	95.0	0.81	198	5.8	1100	72	
132	M2BAT 355 S	742	94.9	0.82	258	743	95.0	0.80	244	7.3	1500	75	
750 r/min = 8-poles		380 V 50 Hz				415 V 50 Hz				High-output design			
2	¹⁾ M2QA 112 M8B	²⁾	²⁾	²⁾	²⁾	²⁾	²⁾	²⁾	²⁾	0.0199	45	58	
3.8	¹⁾ M2QA 132 M8B	²⁾	²⁾	²⁾	²⁾	²⁾	²⁾	²⁾	²⁾	0.04776	75	59	
8.5	¹⁾ M2QA 160 L8B	²⁾	²⁾	²⁾	²⁾	²⁾	²⁾	²⁾	²⁾	0.1312	136	61	
15	¹⁾ M2QA 180 L8B	²⁾	²⁾	²⁾	²⁾	²⁾	²⁾	²⁾	²⁾	0.28398	196	63	
18.5	¹⁾ M2QA 200 L8B	²⁾	²⁾	²⁾	²⁾	²⁾	²⁾	²⁾	²⁾	0.46854	274	65	
30	¹⁾ M2QA 225 M8B	²⁾	²⁾	²⁾	²⁾	²⁾	²⁾	²⁾	²⁾	0.80327	349	67	
37	¹⁾ M2QA 250 M8B	²⁾	²⁾	²⁾	²⁾	²⁾	²⁾	²⁾	²⁾	1.28	436	69	
55	M2BAT 280 SMC	740	94.2	0.81	110	742	94.4	0.77	106	2.85	690	65	

General purpose cast iron motors - Variant codes

Code	Variant	Motor size					
		71-80	90-100	112-132	160-180	200-250	280-355
Balancing							
052	Vibration acc. to grade A (IEC 60034-14).	P	P	P	M	M	S
417	Vibration acc. to grade B (IEC 60034-14).	M	M	M	R	R	NA
424	Full key balancing.	M	M	M	M	M	NA
Bearings and lubrication							
036	Transport lock for bearings.	NA	NA	NA	M	M	M
037	Roller bearing at D-end.	NA	NA	NA	M	M	M
039	Cold resistant grease (-55... +100°C). For frame sizes 160-225, only possible when using regreasable bearings.	M	M	M	M	M	M
040	Heat resistant grease (-25... 150°C). For frame sizes 160-225, only possible when using regreasable bearings.	M	M	M	M	M	M
041	Bearings regreasable via grease nipples.	NA	NA	M	M	M	S
043	SPM nipples. Frame sizes 112-132 only foot mounted B3.	NA	NA	M	M	M	M/S
Branch standard designs							
178	Stainless steel/acid proof bolts.	M	M	M	M	M	M
209	Non-standard voltage or frequency, (special winding).	M	M	M	M	M	NA
425	Corrosion protected stator and rotor core. (only core as standard).	M	M	M	M	M	S
785	Reinforced tropicalisation.	R	R	R	R	R	R
Cooling system							
068	Metal fan.	M	M	M	M	M	M
183	Separate motor cooling fan (fan axial, N-end).	P	M	M	M	M	NA
Dimension drawing							
141	Binding dimension drawing.	M	M	M	M	M	M
Drain holes							
065	Plugged existing drain holes.	M	M	M	NA	NA	M
076	Draining holes with felt plugs.	M	M	M	M	M	NA
Earthing bolt							
067	External earthing bolt.	M	M	M	M	M	S
Heating elements							
450	Heating element, 100-120 V.	M	M	M	M	M	M
451	Heating element, 200-240 V.	M	M	M	M	M	M
Insulation systems							
014	Winding insulation class H.	P	P	P	P	P	NA
405	Special winding insulation for frequency converter supply.	P	P	P	P	P	NA

*) Certain variant codes cannot be used simultaneously.

S = Included as standard

M = On modification of a stocked motor, or on new manufacture, the number per order may be limited.

P = New manufacture only.

R = On request.

NA = Not applicable

Code	Variant	Motor size					
		71-80	90-100	112-132	160-180	200-250	280-355
*)							
Mounting arrangements							
008	IM 2101 foot/flange mounted, from IM 1001(B34 from B3).	M	M	M	M	NA	NA
009	IM 2001 foot/flange mounted, IEC flange, from IM 1001(B35 from B3).	M	M	M	M	M	M
047	IM 3601 flange mounted, IEC flange, from IM 3001 (B14 from B5).	M	M	M	M	NA	NA
066	Modified for non-standard mounting position (please specify IM xxxx). (must be ordered for all mounting arrangements excluding IM B3 (1001) and B5 (3001).	M	M	M	NA	NA	M
078	IM 3601 flange mounted, DIN C-flange.	M	M	M	NA	NA	NA
090	IM 2101 foot/flange mounted, DIN C-flange, from IM 1001, (B34 from B3).	M	M	M	NA	NA	NA
Painting							
114	Special paint colour, standard grade. RAL-colour no. must be specified.	M	M	M	M	M	M
Protection							
005	Metal protective roof, vertical motor, shaft down.	M	M	M	M	M	M
072	Radial seal at D-end.	M	M	M	R	R	M
073	Sealed against oil at D-end.	P	P	P	R	R	M
158	Degree of protection IP65.	M	M	M	M	M	M
211	Weather protected, IP xx W.	M	M	M	M	M	NA
401	Protective roof, horizontal motor.	NA	NA	NA	M	M	R
403	Degree of protection IP56.	M	M	M	M	M	M
Rating & instruction plates							
002	Restamping voltage, frequency and output, continuous duty.	M	M	M	M	M	M
095	Restamping output (maintained voltage, frequency), intermittent duty.	M	M	M	M	M	M
135	Mounting of additional identification plate, stainless.	M	M	M	M	M	M
138	Mounting of additional identification plate, aluminum.	M	M	M	M	M	NA
139	Additional identification plate delivered loose.	M	M	M	M	M	M
161	Additional rating plate delivered loose.	M	M	M	M	M	M
Shaft & rotor							
070	One or two special shaft extensions, standard shaft material.	M	M	M	M	M	NA
Stator winding temperature sensors							
121	Bimetal detectors, break type (NCC), (3 in series), 130°C, in stator winding.	M	M	M	M	M	M
122	Bimetal detectors, break type (NCC), (3 in series), 150°C, in stator winding.	M	M	M	M	M	M
123	Bimetal detectors, break type (NCC), (3 in series), 170°C, in stator winding.	M	M	M	M	M	M
125	Bimetal detectors, break type (NCC), (2x3 in series), 150°C, in stator winding.	M	M	M	M	M	M
127	Bimetal detectors, break type (NCC), (3 in series 130°C & 3 in series, 150°C), in stator winding.	M	M	M	M	M	M
321	Bimetal detectors, closing type (NO), (3 in parallel), 130°C, in stator winding.	M	M	M	M	M	M
322	Bimetal detectors, closing type (NO), (3 in parallel), 150°C, in stator winding.	M	M	M	M	M	M
323	Bimetal detectors, closing type (NO), (3 in parallel), 170°C, in stator winding.	M	M	M	M	M	M
325	Bimetal detectors, closing type (NO), (2x3 in parallel), 150°C, in stator winding.	M	M	M	M	M	M
327	Bimetal detectors, closing type (NO), (3 in parallel, 130°C & 3 in parallel 150°C), in stator winding.	M	M	M	M	M	M

*) Certain variant codes cannot be used simultaneously.

S = Included as standard

M = On modification of a stocked motor, or on new manufacture, the number per order may be limited.

P = New manufacture only.

R = On request.

NA = Not applicable

Code	Variant	Motor size					
		71-80	90-100	112-132	160-180	200-250	280-355
435	PTC-thermistors (3 in series), 130°C, in stator winding.	M	M	M	M	M	M
436	PTC-thermistors (3 in series), 150°C, in stator winding.	S	S	S	S	S	S
437	PTC-thermistors (3 in series), 170°C, in stator winding.	M	M	M	M	M	M
439	PTC-thermistors (2x3 in series), 150°C, in stator winding.	M	M	M	M	M	M
441	PTC-thermistors (3 in series, 150°C & 3 in series, 150°C), in stator winding.	M	M	M	M	M	M
442	PTC-thermistors (3 in series, 150°C & 3 in series, 150°C), in stator winding.	M	M	M	M	M	M
445	Pt100 2-wire in stator winding, 1 per phase.	M	M	M	M	M	M
446	Pt100 2-wire in stator winding, 2 per phase.	M	M	M	M	M	M

Terminal box

015	Motor supplied in D-connection.	M	M	M	M	M	NA
017	Motor supplied in Y-connection.	M	M	M	M	M	NA
021	Terminal box LHS, seen from D-end. (= L in product code).	P	P	P	P	P	NA
180	Terminal box RHS, seen from D-end (= R in product code).	P	P	P	P	P	NA
137	Extended cable connection, low terminal box.	R	R	R	R	R	NA
157	Terminal box degree of protection IP 65.	M	M	M	M	M	NA
230	Standard metal cable glands.	M	M	M	M	M	S
231	Standard cable glands with clamping device.	M	M	M	M	M	NA
400	4x90 degrees turnable terminal box.	S	S	S	M	M	NA
418	Separate terminal box for auxiliaries, standard material.	NA	NA	NA	R	R	M
467	Lower than standard terminal box and rubber extended cable, length 2 m included.	R	R	R	R	R	NA
468	Cable entry from D-end.	M	M	M	M	M	NA
469	Cable entry from N-end.	M	M	M	M	M	NA
731	Two standard metal cable glands.	M	M	M	M	M	S

Testing

140	Test confirmation.	M	M	M	M	M	NA
145	Type test report from a catalogue motor, 400 V 50 Hz.	M	M	M	M	M	M
146	Type test with report for motor from specific delivery batch.	R	R	R	R	R	R
148	Routine test report (only at 400 V 50 Hz).	M	M	M	M	M	M
760	Vibration level test.	M	M	M	M	M	M
762	Noise level test.	R	R	R	NA	NA	R

Variable speed drives

701	Insulated bearing at N-end.	NA	NA	NA	NA	NA	M
704	EMC cable gland.	NA	NA	NA	M	M	M

*) Certain variant codes cannot be used simultaneously.

S = Included as standard

M = On modification of a stocked motor, or on new manufacture, the number per order may be limited.

P = New manufacture only.

R = On request.

NA = Not applicable

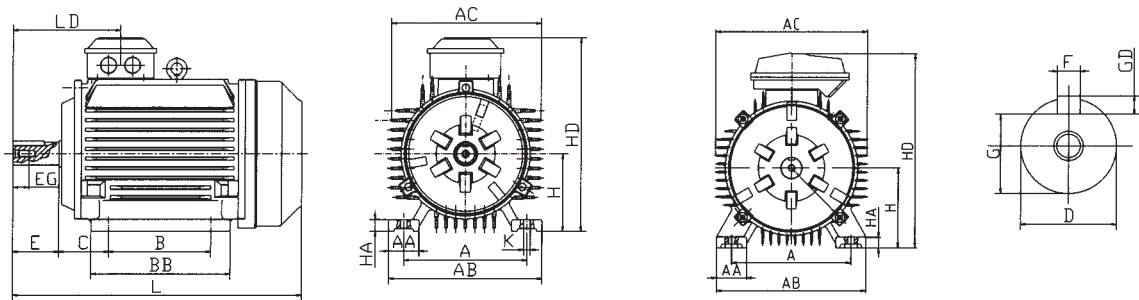
General purpose cast iron motors

Sizes 71-132

Dimension drawings

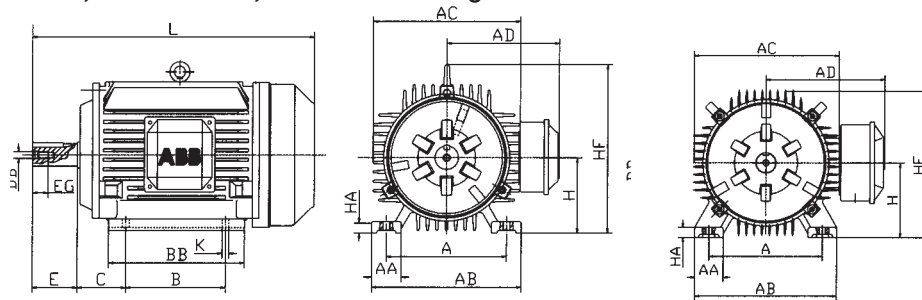
Foot-mounted; IM B3 (IM 1001), IM B6 (IM 1011), IM B7 (IM 1061), IM B8 (IM 1071), IM V5 (IM 1011), IM V6 (IM 1031)

Three phase motor, foot-mounted, terminal box top-mounted



IM000090

Three phase motor, foot-mounted, terminal box on right hand side



Motor size	Poles	A	AA	AB	AC	AD	B	BB	C	D	DB	E	EG
71M	2-6	112	30	145	145	120	90	110	45	14	M5	30	12.5
80M	2-6	125	35	160	165	145	100	135	50	19	M6	40	16
90S	2-6	140	35	175	180	150	100	140	56	24	M8	50	19
90L	2-6	140	35	175	180	150	125	165	56	24	M8	50	19
100L	2-6	160	40	200	205	175	140	180	63	28	M10	60	22
112M	2-8	190	50	235	225	185	140	190	70	28	M10	60	22
132S	2-8	216	55	270	265	205	140	205	89	38	M12	80	28
132M	2-8	216	55	270	265	205	178	240	89	38	M12	80	28

Motor size	Poles	F	G	GD	H	HA	HD	HF	K	L	LD
71 M	2-6	5	11	5	71	10	200	-	7	255	100
80 M	2-6	6	15.5	6	80	12	225	170	10	285	116
90 S	2-6	8	20	7	90	12	240	185	10	310	128
90 L	2-6	8	20	7	90	12	240	185	10	335	128
100 L	2-6	8	24	7	100	14	275	245	12	380	144
112 M	2-6	8	24	7	112	15	290	265	12	380	144
132 S	2-6	10	33	8	132	18	335	300	12	465	169
132 M	2-6	10	33	8	132	18	335	300	12	505	169

Tolerances:

A, B, C	+, - 0.8	H	+ 0, - 0.5
D, DA	ISO m6	N	ISO j6
F, FA	ISO h9		

Above table gives the main dimensions in mm.

For detailed drawings please see our web-pages 'www.abb.com/motors&drives' or contact us.

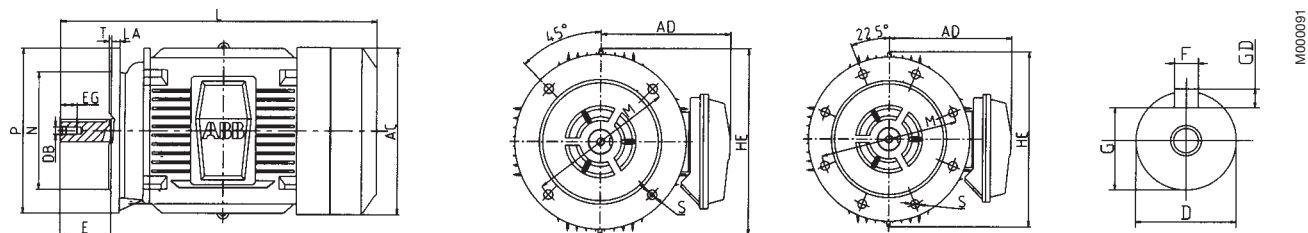
General purpose cast iron motors

Sizes 71-132

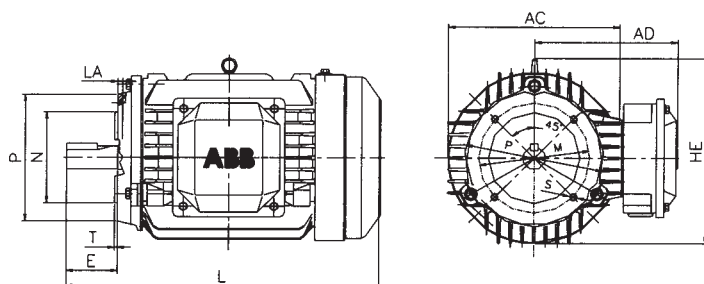
Dimension drawings

Flange-mounted; IM B5 (IM 3001), IM V1 (IM 3001), IM V3 (IM 3031)
IM B14 (IM 3601), IM V18 (IM 3611), IM V19 (IM 3631)

Three phase motor, flange-mounted



Three phase motor, flange-mounted, small flange (B14)



IM B5 (IM3001), IM V1 (IM3011), IM V3 (IM3031)

Type	Poles	AC	AD	D	DB	E	EG	F	G	GD	HE	L	LA	M	N	P	S	T
M2QA																		
71M	2-6	145	120	14	M5	30	12.5	5	11	5	165	255	9	130	110	160	10	3.5
80M	2-8	165	145	19	M6	40	16	6	15.5	6	200	285	9	165	130	200	12	3.5
90S	2-8	180	150	24	M8	50	19	8	20	7	200	310	10	165	130	200	12	3.5
90L	2-8	180	150	24	M8	50	19	8	20	7	200	335	10	165	130	200	12	3.5
100L	2-8	205	175	28	M10	60	22	8	24	7	265	380	11	215	180	250	15	4
112M	2-8	225	185	28	M10	60	22	8	24	7	270	395	11	215	180	250	15	4
132S	2-8	265	205	38	M12	80	28	10	33	8	320	465	12	265	230	300	15	4
132M	2-8	265	205	38	M12	80	28	10	33	8	320	505	12	265	230	300	15	4

IM B14 (IM3611), IM V19 (IM3631)

Motor size	Poles	Flange size	HE	P	M	N	S	T
71M	2-6	C105	145	105	85	70	M6	2.5
		C140	145	140	115	95	M8	3
80M	2-8	C120	165	120	100	80	M6	3
		C160	165	160	130	110	M8	3.5
90S	2-8	C140	185	140	115	95	M8	3
		C160	185	160	130	110	M8	3.5
90L	2-8	C140	185	140	115	95	M8	3
		C160	185	160	130	110	M8	3.5
100L	2-8	C160	255	160	130	110	M8	3.5
		C200	255	200	165	130	M10	3.5
112M	2-8	C160	265	160	130	110	M8	3.5
		C200	265	200	165	130	M10	3.5

Tolerances:

D, DA ISO m6
F, FA ISO h9
N ISO j6

Above table gives the main dimensions in mm.

For detailed drawings please see our web-pages 'www.abb.com/motors&drives' or contact us.

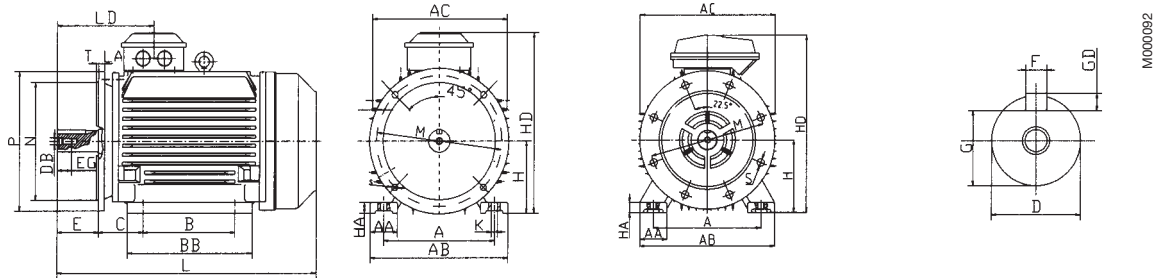
General purpose cast iron motors

Sizes 71-132

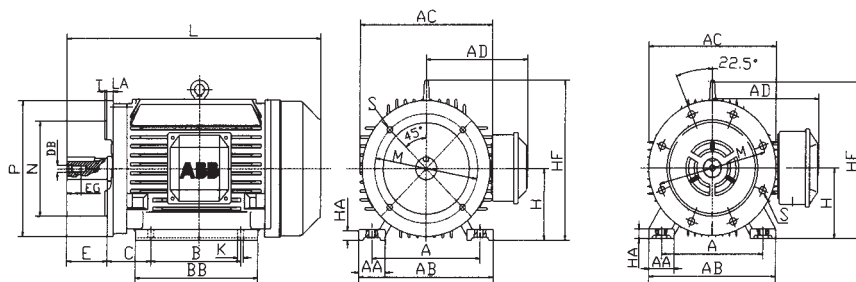
Dimension drawings

Foot- and flange-mounted; M B35 (IM 2001), IM V15 (IM 2011), IM V 36 (IM 2031)

Three phase motor, foot- and flange-mounted, terminal box top-mounted



Three phase motor, foot- and flange-mounted, terminal box on right



Motor size	Poles	A	AA	AB	AC	AD	B	BB	C	D	DB	E	EG	F
71M	2-6	112	30	145	145	120	90	110	45	14	M5	30	12.5	5
80M	2-8	125	35	160	165	145	100	135	50	19	M6	40	16	6
90S	2-8	140	35	175	180	150	100	140	56	24	M8	50	19	8
90L	2-8	140	35	175	180	150	125	165	56	24	M8	50	19	8
100L	2-8	160	40	200	205	175	140	180	63	28	M10	60	22	8
112M	2-8	190	50	235	225	185	140	190	70	28	M10	60	22	8
132S	2-8	216	55	270	265	205	140	205	89	38	M12	80	28	10
132M	2-8	216	55	270	265	205	178	240	89	38	M12	80	28	10

Motor size	Poles	G	GD	H	HA	HD	HF	K	L	LA	LD	M	N	P	S	T
71M	2-6	11	5	71	10	200	-	7	255	9	100	130	110	160	10	3.5
80M	2-8	15.5	6	80	12	225	170	10	285	9	116	165	130	200	12	3.5
90S	2-8	20	7	90	12	240	185	10	310	10	128	165	130	200	12	3.5
90L	2-8	20	7	90	12	240	185	10	335	10	128	165	130	200	12	3.5
100L	2-8	24	7	100	14	275	245	12	380	11	138	215	180	250	15	4
112M	2-8	24	7	112	15	290	265	12	395	11	144	215	180	250	15	4
132S	2-8	33	8	132	18	335	300	12	465	12	169	265	230	300	15	4
132M	4-8	33	8	132	18	335	300	12	505	12	169	265	230	300	15	4

Tolerances:

A, B, C	+/- 0.8	H +0, -0.5
D, DA	ISO m6	N ISO j6
F, FA	ISO h9	

Above table gives the main dimensions in mm.

For detailed drawings please see our web-pages 'www.abb.com/motors&drives' or contact us.

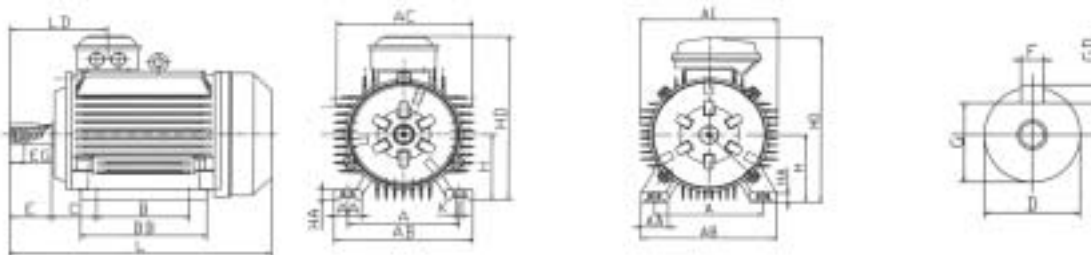
General purpose cast iron motors

Sizes 160-250

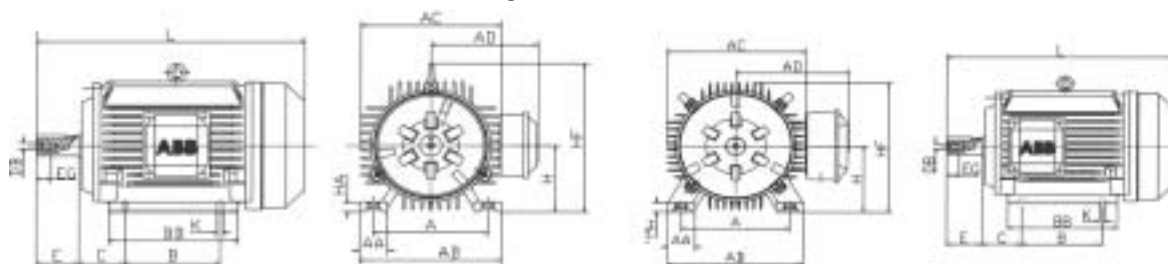
Dimension drawings

Foot-mounted; IM B3 (IM 1001), IM B6 (IM 1051), IM B7 (IM 1061), IM B8 (IM 1071), IM V5 (IM 1011), IM V6 (IM 1031)

Three phase motor, foot-mounted, terminal box top-mounted



Three phase motor, foot-mounted, terminal box on right hand side



IEC-frame size 250

M000093

Motor size	Poles	A	AA	AB	AC	AD	B	BB	C	D	DB	E	EG
160 M	2-8	254	60	325	330	255	210	265	108	42	M16	110	36
160 L	2-8	254	60	325	330	255	254	310	108	42	M16	110	36
180 M	2-4	279	70	350	355	270	241	315	121	48	M16	110	36
180 L	4-8	279	70	350	350	270	279	350	121	48	M16	110	36
200 L	2-8	318	70	390	395	305	305	380	133	55	M20	110	39
225 S	4-8	356	75	435	440	335	286	380	149	60	M20	140	39
225 M	2	356	75	435	450	335	311	405	149	55	M20	110	39
225 M	4-8	356	75	435	450	335	311	405	149	60	M20	140	39
250 M	2	406	80	490	515	395	349	455	168	60	M20	140	39
250 M	4-8	406	80	490	515	395	439	455	168	65	M20	140	39

Motor size	Poles	F	G	GD	H	HA	HD	HF	K	L	LD
160 M	2-8	12	47	8	160	22	415	380	15	600	250
160 L	2-8	12	47	8	160	22	415	380	15	645	250
180 M	2-4	14	42.5	9	180	22	450	420	15	670	270
180 L	4-8	14	42.5	9	180	22	450	420	15	710	270
200 L	2-8	16	49	10	200	25	510	470	19	770	285
225 S	4-8	18	53	11	225	28	560	520	19	820	340
225 M	2	16	49	10	225	28	560	520	19	815	310
225 M	4-8	18	53	11	225	28	560	520	19	840	340
250 M	2	18	53	11	250	30	645	580	24	930	360
250 M	4-8	18	58	11	250	30	645	580	24	930	360

Tolerances:

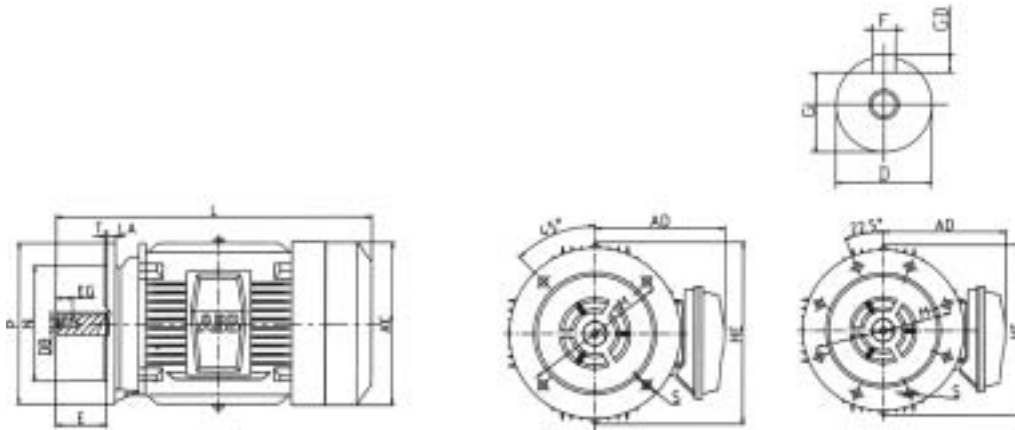
A, B, C	+, - 0.8	F, FA	ISO h0
D, DA	ISO k6 < Ø 50 mm	H	+ 0, - 0.5
	ISO h9 > Ø 50 mm		

Above table gives the main dimensions in mm.

For detailed drawings please see our web-pages 'www.abb.com/motors&drives' or contact us.

Dimension drawings

Flange-mounted; IM B5 (IM 3001), IM V1 (IM 3011), IM V3 (IM 3031),
IM B14 (IM 3601), IM V18 (IM 3611), IM V19 (IM 3631)



Motor size	Poles	AD	D	DB	E	EG	F	G	GD	HE	L	LA	M	N	P	S	T
160 M	2-8	255	42	M16	110	36	12	47	8	400	600	15	300	250	350	19	5
160 L	2-8	255	42	M16	110	36	12	47	8	400	645	15	300	250	350	19	5
180 M	2-4	270	48	M16	110	36	14	42.5	9	420	670	18	300	250	350	19	5
180 L	4-8	270	48	M16	110	36	14	42.5	9	420	710	18	300	250	350	19	5
200 L	2-8	305	55	M20	110	39	16	49	10	470	770	20	350	300	400	19	5
225 S	4-8	335	60	M20	140	39	18	53	11	520	820	20	400	350	450	19	5
225 M	2	335	55	M20	110	39	16	49	10	520	815	20	400	350	450	19	5
225 M	4-8	335	60	M20	140	39	18	53	11	520	840	20	400	350	450	19	5
250 M	2	395	60	M20	140	39	18	53	11	655	930	22	500	450	550	19	5
250 M	4-8	395	65	M20	140	39	18	53	11	655	930	22	500	450	550	19	5

Tolerances:

D, DA	ISO k6 < Ø 50 mm
	ISO m6 > Ø 50 mm
F, FA	ISO h9
N	ISO j6

Above table gives the main dimensions in mm.

For detailed drawings please see our web-pages
'www.abb.com/motors&drives' or contact us.

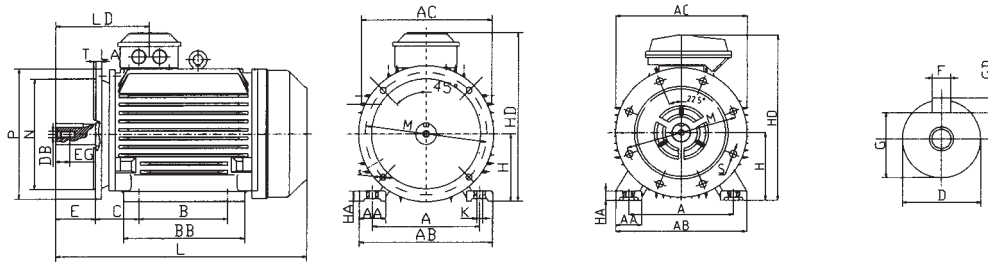
General purpose cast iron motors

Sizes 160-250

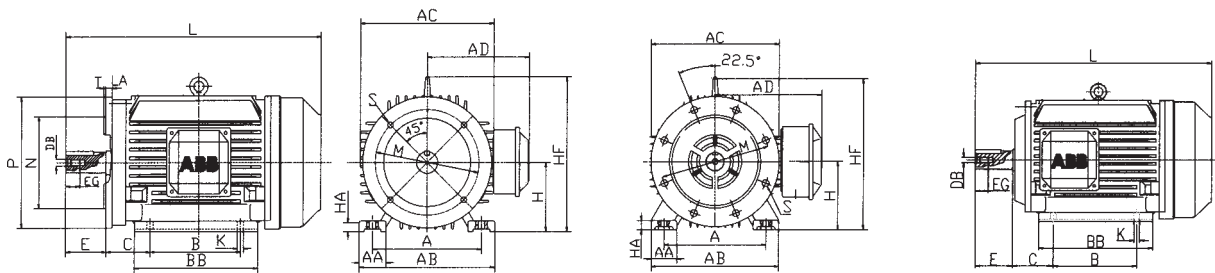
Dimension drawings

Foot- and flange-mounted; IM B35 (IM 2001), IM V15 (IM 2011), IM V36 (IM 2031)

Three phase motor, foot-mounted, terminal box top-mounted



Three phase motor, foot-mounted, terminal box on right hand side



IEC frame size 250

M1000095

Motor size	Poles	A	AA	AB	AC	AD	B	BB	C	D	DB	E	EG	F	G
160 M	2-8	254	60	325	330	255	210	265	108	42	M16	110	36	12	47
160 L	2-8	254	60	325	330	255	254	310	108	42	M16	110	36	12	47
180 M	2-4	279	70	350	355	270	241	315	121	48	M16	110	36	14	42.5
180 L	4-8	279	70	350	350	270	279	350	121	48	M16	110	36	14	42.5
200 L	2-8	318	70	390	395	305	305	380	133	55	M20	110	39	16	49
225 S	4-8	356	75	435	440	335	286	380	149	60	M20	140	39	18	53
225 M	2	356	75	435	450	335	311	405	149	55	M20	110	39	18	49
225 M	4-8	356	75	435	450	335	311	405	149	60	M20	140	39	18	53
250 M	2	406	80	490	515	395	349	455	168	60	M20	140	39	18	53
250 M	4-8	406	80	490	515	395	439	455	168	65	M20	140	39	18	53

Motor size	Poles	GD	H	HA	HD	HF	K	L	LA	LD	M	N	P	S	T
160 M	2-8	8	160	22	415	380	15	600	15	250	300	250	350	19	5
160 L	2-8	8	160	22	415	380	15	645	15	250	300	250	350	19	5
180 M	2-4	9	180	22	450	420	15	670	18	270	300	250	350	19	5
180 L	4-8	9	180	22	450	420	15	710	18	270	300	250	350	19	5
200 L	2-8	10	200	25	510	470	19	770	20	285	350	300	400	19	5
225 S	4-8	11	225	28	560	520	19	820	20	340	400	350	450	19	5
225 M	2	10	225	28	560	520	19	815	20	310	400	350	450	19	5
225 M	4-8	11	225	28	560	520	19	840	20	340	400	350	450	19	5
250 M	2	11	250	30	645	580	24	930	22	360	500	450	550	19	5
250 M	4-8	11	250	30	645	580	24	930	22	360	500	450	550	19	5

Tolerances:

A, B, C	+ , - 0.8	F, FA	ISO h9
D, DA	ISO k6 > Ø 50 mm	H	+ 0, - 0.5
	ISO m6 > Ø 50 mm	N	ISO j6

Above table gives the main dimensions in mm.

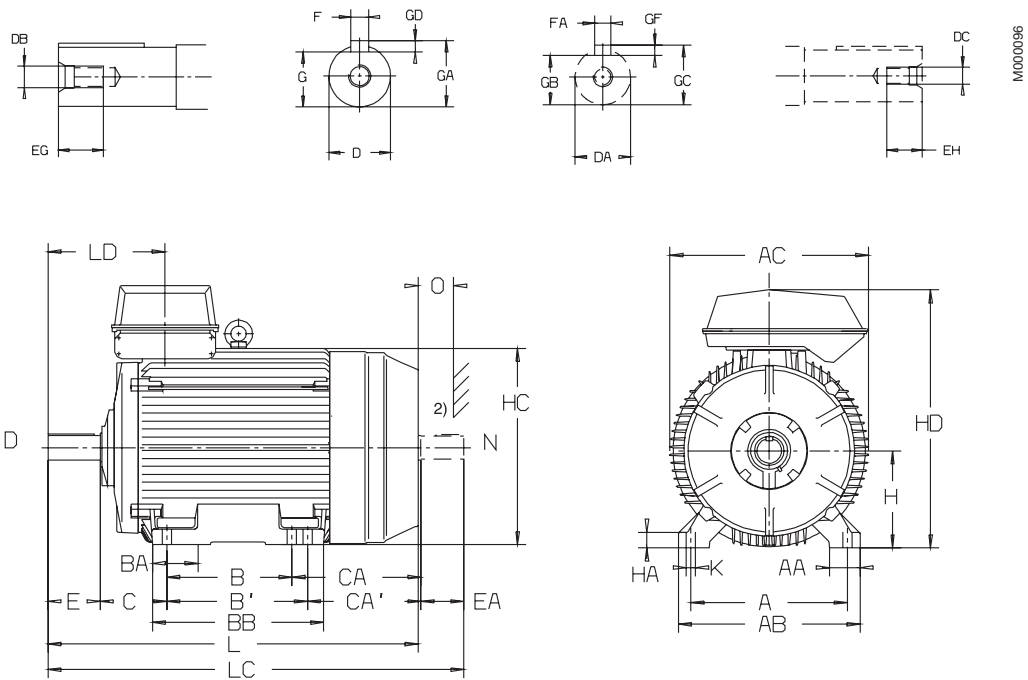
For detailed drawings please see our web-pages www.abb.com/motors&drives or contact us.

General purpose cast iron motors

Sizes 280-355

Dimension drawings

Foot-mounted; IM B3 (IM 1001), IM B6 (IM 1051), IM B7 (IM 1061), IM B8 (IM 1071), IM V5 (IM 1011), IM V6 (IM 1031)



Motor size	Poles	A	AA	AB	AC	B	B'	BA	BB	C	CA	CA'	D	DA	DB	DC	E	EA	EG	EH
280 SM_2	2	457	85	530	572	368	419	146	506	190	400	349	65	60	M20	M20	140	140	40	40
	4-12	457	85	530	572	368	419	146	506	190	400	349	75	65	M20	M20	140	140	40	40
315 SM_2	2	508	100	590	645	406	457	163	556	216	465	414	65	60	M20	M20	140	140	40	40
	4-12	508	100	590	645	406	457	163	556	216	465	414	80	75	M20	M20	170	140	40	40
315 ML_2	2	508	100	590	645	457	508	163	607	216	465	414	65	60	M20	M20	140	140	40	40
	4-12	508	100	590	645	457	508	163	607	216	465	414	90	75	M24	M20	170	140	48	40
355_2	2	610	120	700	740	500	-	161	662	254	460	-	70	70	M20	M20	140	140	40	40
	4-12	610	120	700	740	500	-	161	662	254	460	-	100	90	M24	M24	210	170	48	48

Motor size	Poles	F	FA	G	GA	GB	GC	GD	GF	H	HA	HC	HD	K	L	LA	LC	LD	O ¹⁾
280 SM_2	2	18	18	58	69	53	64	11	11	280	40	566	745	24	1088	22	1238	332	100
	4-12	20	18	67.5	79.5	58	69	12	11	280	40	566	745	24	1088	22	1238	332	100
315 SM_2	2	18	18	58	69	53	64	11	11	315	50	638	840	30	1218	25	1367	351	115
	4-12	22	20	71	85	67.5	79.5	14	12	315	50	638	840	30	1248	25	1397	381	115
315 ML_2	2	18	18	58	69	53	64	11	11	315	50	638	840	30	1269	25	1418	351	115
	4-12	25	20	84	95	67.5	79.5	14	12	315	50	638	840	30	1299	25	1448	381	115
355 S_2	2	20	20	62.5	74.5	62.5	74.5	12	12	355	55	725	955	35	1344	25	1494	397	130
	4-12	28	25	90	106	81	95	16	14	355	55	725	955	35	1414	25	1594	467	130

Tolerances:

D, DA ISO M6

H +0, -1.0

¹⁾ Cooling distance.

²⁾ Second shaft end on request.

Above table gives the main dimensions in mm.

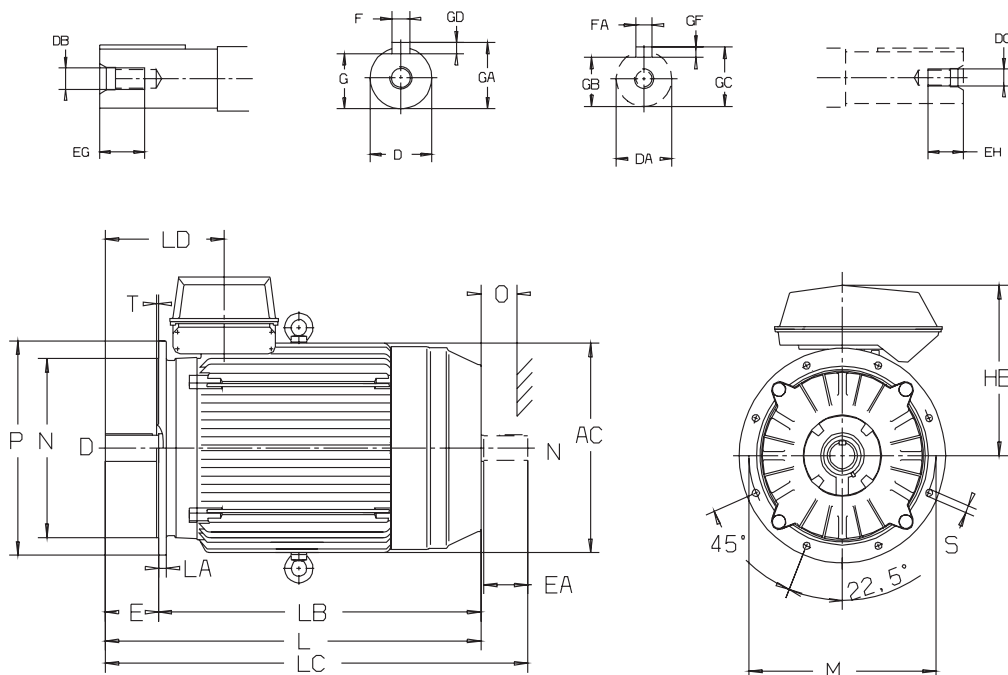
For detailed drawings please see our web-pages 'www.abb.com/motors&drives' or contact us.

General purpose cast iron motors

Sizes 280-355

Dimension drawings

Flange-mounted; IM B5 (IM 3001), IM V1 (IM 3001), IM V3 (IM 3031)
IM B14 (IM 3601), IM V18 (IM 3611), IM V19 (IM 3631)



Motor size	Poles	AC	D	DA	DB	DC	E	EA	EG	EH	F	FA	G	GA	GB	GC	GD	GF
280 SM	2	572	65	60	M20	M20	140	140	40	40	18	18	58	69	53	64	11	11
	4-12	572	75	65	M20	M20	140	140	40	40	20	18	67.5	79.5	58	69	12	11
315 SM	2	645	65	60	M20	M20	140	140	40	40	18	18	58	69	53	64	11	11
	4-12	645	80	75	M20	M20	170	140	40	40	22	20	71	85	67.5	79.5	14	12
315 ML	2	645	65	60	M20	M20	140	140	40	40	18	18	58	69	53	64	11	11
	4-12	645	90	75	M24	M20	170	140	48	40	25	20	81	95	67.5	79.5	14	12
355 S	2	746	70	70	M20	M20	140	140	40	40	20	20	62.5	74.5	62.5	74.5	12	12
	4-12	645	100	90	M24	M24	210	170	48	48	28	25	90	106	81	95	16	14

Motor size	Poles	HB	L	LA	LB	LC	LD	M	N	O	P	S	T
280 SM	2	465	1088	22	938	1238	332	500	450	100	550	18	5
	4-12	465	1088	22	938	1238	332	500	450	100	550	18	5
315 SM	2	525	1218	25	1078	1367	351	600	550	115	660	23	6
	4-12	525	1248	25	1078	1397	381	600	550	115	660	23	6
315 ML	2	525	1269	25	1129	1418	351	600	550	115	660	23	6
	4-12	525	1299	25	1199	1448	381	600	550	115	660	23	6
355 S	2	600	1344	25	1204	1494	397	740	680	130	800	23	6
	4-12	600	1414	25	1204	1594	467	740	680	130	800	23	6

Tolerances:

D, DA ISO M6
F ISO h9
H +0, -1.0
N ISO j6 (280)
ISO js6 (315)

¹⁾ Cooling distance.

²⁾ Second shaft end on request.

Above table gives the main dimensions in mm.

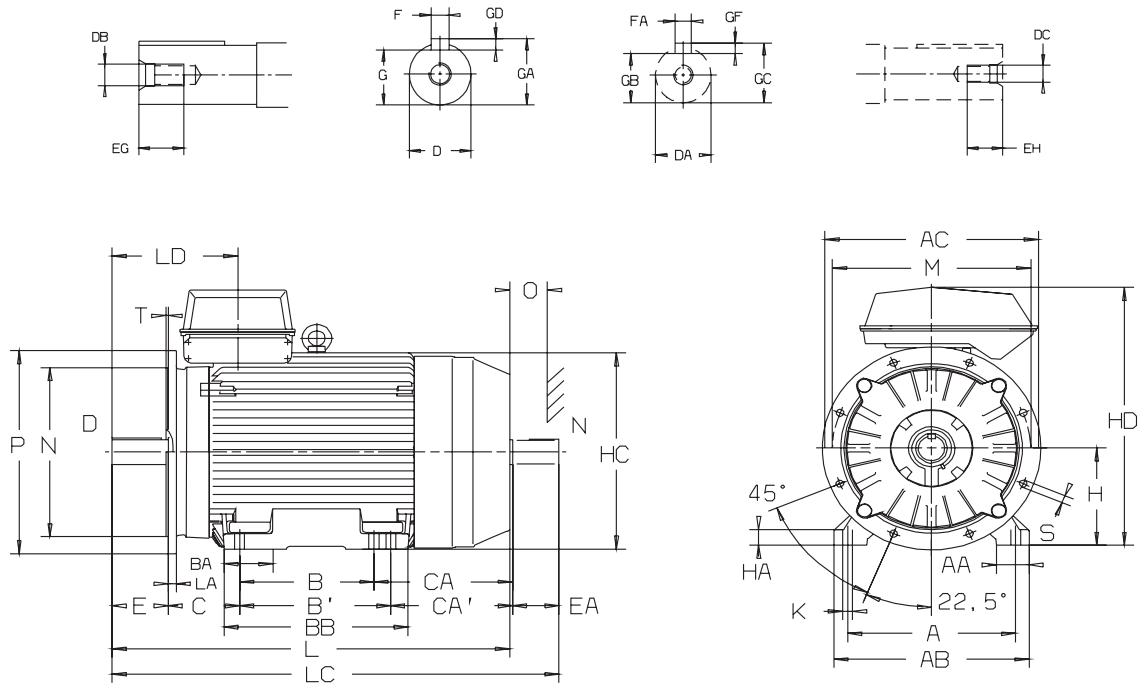
For detailed drawings please see our web-pages
'www.abb.com/motors&drives' or contact us.

General purpose cast iron motors

Sizes 280-355

Dimension drawings

Foot- and flange-mounted; M B35 (IM 2001), IM V15 (IM 2011), IM V 36 (IM 2031)



M000098

Motor size	Poles	A	AA	AB	AC	B	B'	BA	BB	C	CA	CA'	D	DA	DB	DC	E	EA	EG	EH	F	FA
280 SM_2	2	457	85	530	572	368	419	146	506	190	400	349	65	60	M20	M20	140	140	40	40	18	18
	4-12	457	85	530	572	368	419	146	506	190	400	349	75	65	M20	M20	140	140	40	40	20	18
315 SM_2	2	508	100	590	645	406	457	163	556	216	465	414	65	60	M20	M20	140	140	40	40	18	18
	4-12	508	100	590	645	406	457	163	556	216	465	414	80	75	M20	M20	170	140	40	40	22	20
315 ML_2	2	508	100	590	645	457	508	163	607	216	465	414	65	60	M20	M20	140	140	40	40	18	18
	4-12	508	100	590	645	457	508	163	607	216	465	414	90	75	M24	M20	170	140	48	40	25	20
355_2	2	610	120	700	740	500	-	161	662	254	460	-	70	70	M20	M20	140	140	40	40	20	20
	4-12	610	120	700	740	500	-	161	662	254	460	-	100	90	M24	M24	210	170	48	48	28	25

Motor size	Poles	G	GA	GB	GC	GD	GF	H	HA	HC	HD	K	L	LA	LC	LD	M	N	P	S	T	O ¹⁾
280 SM_2	2	58	69	53	64	11	11	280	40	566	745	24	1088	22	1238	332	500	450	550	18	5	100
	4-12	67.5	79.5	58	69	12	11	280	40	566	745	24	1088	22	1238	332	500	450	550	18	5	100
315 SM_2	2	58	69	53	64	11	11	315	50	638	840	30	1218	25	1367	351	600	550	660	23	6	115
	4-12	71	85	67.5	79.5	14	12	315	50	638	840	30	1248	25	1397	381	600	550	660	23	6	115
315 ML_2	2	58	69	53	64	11	11	315	50	638	840	30	1269	25	1418	351	600	550	660	23	6	115
	4-12	84	95	67.5	79.5	14	12	315	50	638	840	30	1299	25	1448	381	600	550	660	23	6	115
355 S_2	2	62.5	74.5	62.5	74.5	12	12	355	55	725	955	35	1344	25	1494	397	645	740	680	23	6	130
	4-12	90	106	81	95	16	14	355	55	725	955	35	1414	25	1594	467	715	740	680	23	6	130

Tolerances:

D, DA ISO M6
 F ISO h9
 H + 0, - 1.0
 N ISO j6 (280)
 ISO js6 (315)

¹⁾ Cooling distance.

²⁾ Second shaft end on request.

Above table gives the main dimensions in mm.

For detailed drawings please see our web-pages 'www.abb.com/motors&drives' or contact us.

Rating plates

For motor sizes 71 to 132 the rating plate gives one current value for the voltage area. That is the highest current that can occur within the voltage area with the given output.

For motor sizes 160 to 355 the rating plate is in table form giving values for speed, current and power factor for six voltages.

Motor sizes 71 to 132

ABB		ABB Motors			CE	
3-motor M2QA 90 S2 A					IEC 34-1	
3GQA091101-ASA					EFF2	
6205/C3		6205/C3		IP 55		Ins.cl F
V	Hz	r/min	kW	cosφ	A	
220-240Δ	50	2850	1.5	0.87	5.58	
380-420Y	50	2850	1.5	0.87	3.23	
440-480Y	60	3420	1.73	0.87	3.30	
No 329 11117711				21 kg		

M000099

Motor sizes 160 to 250

ABB		ABB Motors			CE		
3 ~ motor M2QA 180 L4A					EFF2		
IEC 180 L 48							
S1			No 292229936				
Cert.no			Ins.cl. F		IP 55		
V	Hz	kW	r/min	A	cos φ	IA/IN	tE/s
690 Y	50	22	1470	22.86	0.88		
400 Δ	50	22	1470	39.44	0.88		
660 Y	50	22	1465	23.37	0.90		
380 Δ	50	22	1465	40.59	0.90		
415 Δ	50	22	1475	38.90	0.86		
440 Δ	60	25.3	1764	40.06	0.89		
Cat. no 3GQA 182 501 - ADA							
6310/C3		6210/C3		186 kg			
IEC 34-1							

M000100

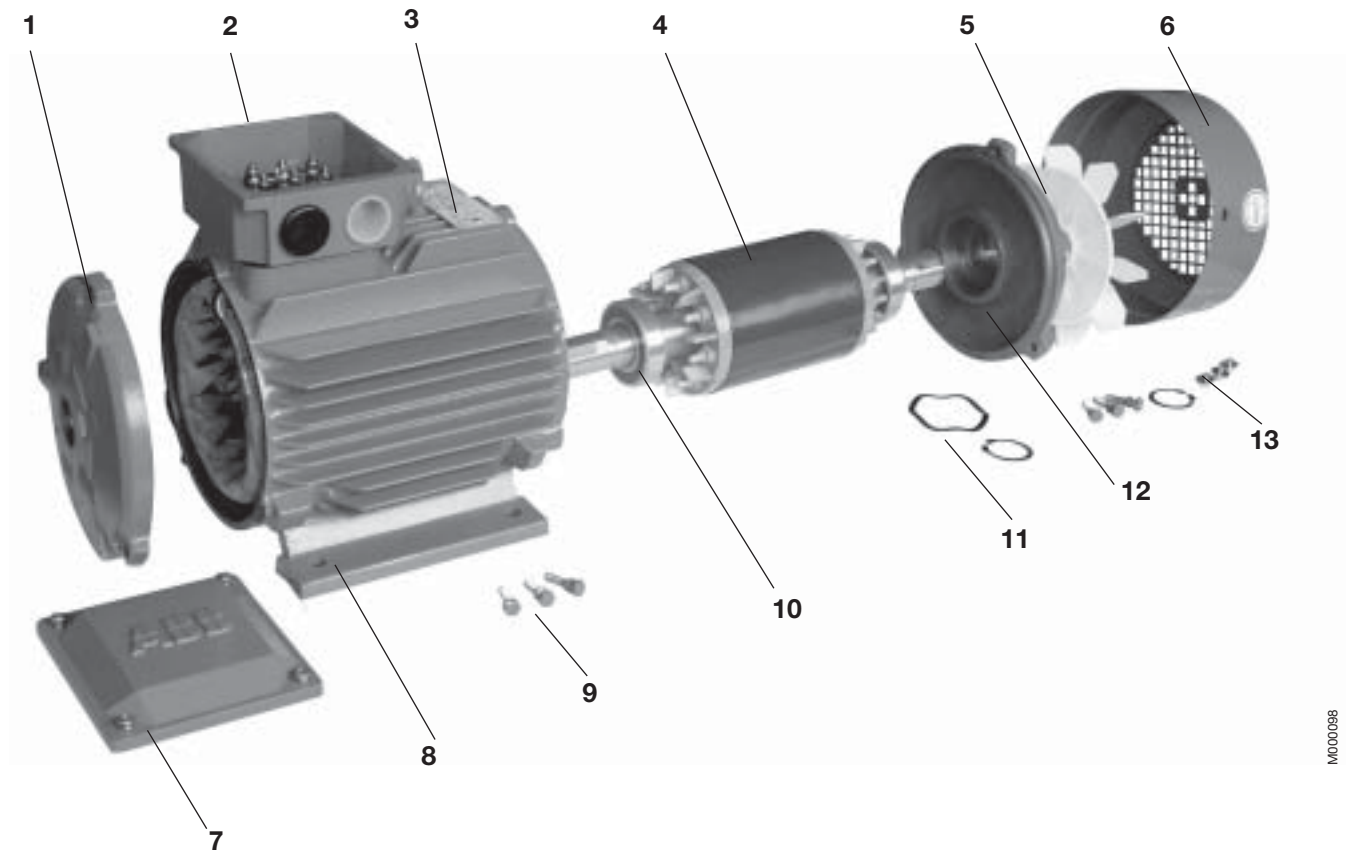
Motor sizes 280 to 355

ABB Oy, Motors Vaasa, Finland							
3~Motor M2BΔT 315SMB 6 B6							
IEC 315 S/M 80							
S1				No. 0230-060100089			
				Ins.cl F		IP 55	
V	Hz	kW	r/min	Δ	cosφ	Duty	
690 Y	50	90	991	96	0,83		
400 D	50	90	991	166	0,83		
660 Y	50	90	990	100	0,84		
380 D	50	90	990	174	0,84		
415 D	50	90	992	163	0,81		
440 D	60	103	1190	170	0,84		
Prod.code 3GBΔ313220-ΔDD							
				Nmax		r/min	
6319/C3		6316/C3		870 kg			
ABB		IEC 60034-1					

M000101

4

Motor construction



- | | | | |
|---|--------------------|----|------------------------|
| 1 | Endshield, D-end | 8 | Stator |
| 2 | Terminal box | 9 | Bolt |
| 3 | Rating plate | 10 | Bearing |
| 4 | Rotor | 11 | Wave-shape spring ring |
| 5 | Fan | 12 | Endshield, N-end |
| 6 | Fan cover | 13 | Screw |
| 7 | Terminal box cover | | |

M000098

4

General purpose cast iron motors in brief, basic design

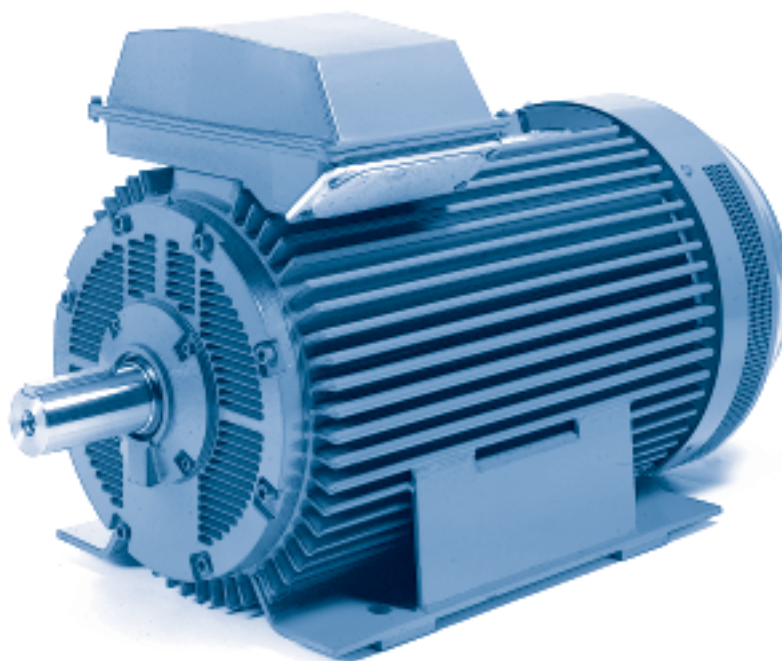
Motor size		71	80	90	100	112	132	160
Stator	Material	Cast iron HT150 GB5675-85						
	Paint colour shade	Blue, Munsell 8B 4.5/3.25 / NCS 4822 B05G / RAL 5014						
	Paint thickness	Two-pack 821 Acid Polyurethane Lacquer Enamel, thickness $\geq 60 \mu\text{m}$						
Bearing end shields	Material	Cast iron HT150 GB5675-85						
	Paint colour shade	Blue, Munsell 8B 4.5/3.25 / NCS 4822 B05G / RAL 5014						
	Paint thickness	Two-pack 821 Acid Polyurethane Lacquer Enamel, thickness $\geq 60 \mu\text{m}$						
Bearings	D-end	6202 DDU C3	6204 DDU C3	6205 DDU C3	6206 DDU C3	6207 DDU C3	6208 DDUC3	6309 ZZ C3
	N-end	6202 DDU C3	6204 DDU C3	6205 DDU C3	6206 DDU C3	6206 DDU C3	6207 DDU C3	6209 ZZ C3
Axially-locked bearings	Inner bearing cover	As standard, locked at D-end						
Lubrication		Greased for life.						
Rating plate	Material	Stainless steel						
Terminal box	Frame material	Cast iron HT150 GB5675-85						
	Cover material	Cast iron HT150 GB5675-85						
Connections	Cable entries	2xM16x1.5	2xM25x1.5	2xM32x1.5	2xM32x1.5	2xM32x1.5	2xM32x1.5	2xM40x1.5
	Terminals	6 terminals for connection						
Fan	Material	Reinforced glass fiber						
Fan cover	Material	Steel						
	Paint colour shade	Blue, Munsell 8B 4.5/3.25 / NCS 4822 B05G / RAL 5014						
	Paint thickness	Two-pack 821 Acid Polyurethane Lacquer Enamel, thickness $\geq 60 \mu\text{m}$						
Stator winding	Material	Copper						
	Insulation	Insulation class F						
	Winding protection	On request						
Rotor winding	Material	Pressure die-cast aluminium						
Balancing method		Half key balancing as standard						
Key ways		Open key way						
Enclosure		IP 55						
Cooling method		IC 411						

General purpose cast iron motors in brief, basic design

Motor size		180	200	225	250	280	315	355	
Stator	Material	Cast iron HT150 GB5675-85				Cast iron GG 20/GRS 200			
	Paint colour shade	Blue, Munsell 8B 4.5/3.25 / NCS 4822 B05G / RAL 5014							
	Paint thickness	Two-pack 821 Acid Polyurethane Lacquer Enamel, thickness $\geq 60 \mu\text{m}$				Two-pack epoxy paint, thickness $\geq 70 \mu\text{m}$			
Bearing end shields	Material	Cast iron HT150 GB5675-85				Cast iron GG 20/GRS 200, except flange-mounted			
	Paint colour shade	Blue, Munsell 8B 4.5/3.25 / NCS 4822 B05G / RAL 5014							
	Paint thickness	Two-pack 821 Acid Polyurethane Lacquer Enamel, thickness $\geq 60 \mu\text{m}$				Two-pack epoxy paint, thickness $\geq 70 \mu\text{m}$			
Bearings	D-end 2 pole 4 to 8 pole	6310 ZZ C3	6312 ZZU C3	6313 ZZ C3	6314 C3	6316/C4 6316/C3	6316/C4 6319/C3	6319M/C3 6322/C3	
	N-end 2 pole 4 to 8 pole	6210 ZZ C3	6212 ZZ C3	6213 ZZ C3	6214 C3	6316/C4 6316/C3	6316/C4 6316/C3	6319M/C3 6319/C3	
Axially-locked bearings	Inner bearing cover	As standard, locked at D-end							
Lubrication		Greased for life or regreasable			Regreasable bearings				
Rating plate	Material	Stainless steel				Acid proof stainless steel			
Terminal box	Frame material	Cast iron HT150 GB5675-85				Cast iron GG 15/GRS 150			
	Cover material	Cast iron HT150 GB5675-85				Cast iron GG 15/GRS 150			
Connections	Cable entries	2xM40x1.5	2xM50x1.5	2xM50x1.5	2xM63x1.5	2xM63 + 2xM20			
	Terminals	6 terminals for connection							
Fan	Material	Reinforced glass fiber				Reinforced glass fiber or aluminium			
Fan cover	Material	Steel							
	Paint colour shade	Blue, Munsell 8B 4.5/3.25 / NCS 4822 B05G / RAL 5014							
	Paint thickness	Two-pack 821 Acid Polyurethane Lacquer Enamel, thickness $\geq 60 \mu\text{m}$				Two-pack epoxy polyester paint, thickness $\geq 80 \mu\text{m}$			
Stator winding	Material	Copper							
	Insulation	Insulation class F							
	Winding protection	On request				3 PTC thermistors as standard, 150°C			
Rotor winding	Material	Pressure die-cast aluminium							
Balancing method		Half key balancing as standard							
Key way		Open key way							
Enclosure		IP 55				IP 55, higher protection on request			
Cooling method		IC 411							

General Purpose Open Drip Proof Motors

Open drip proof squirrel cage three phase
low voltage motors,
Sizes 280 - 400, 110 to 800 kW



www.abb.com/motors&drives

- > Motors
- > Low voltage motors
- > General purpose motors

Mechanical design	146
Ordering information.....	151
Technical data.....	152
Variant codes	157
Dimension drawings.....	159
Rating plates	163
Open drip proof motors in brief	164

Mechanical design

Stator

The stator frame is made of profile-pressed sheet steel, giving the motor high mechanical strength, low weight and a good surface finish. The stator core is welded into the stator frame and contributes to its excellent mechanical properties.

Feet and lifting eyes are welded to the stator frame. The terminal box and end shields are of cast iron.

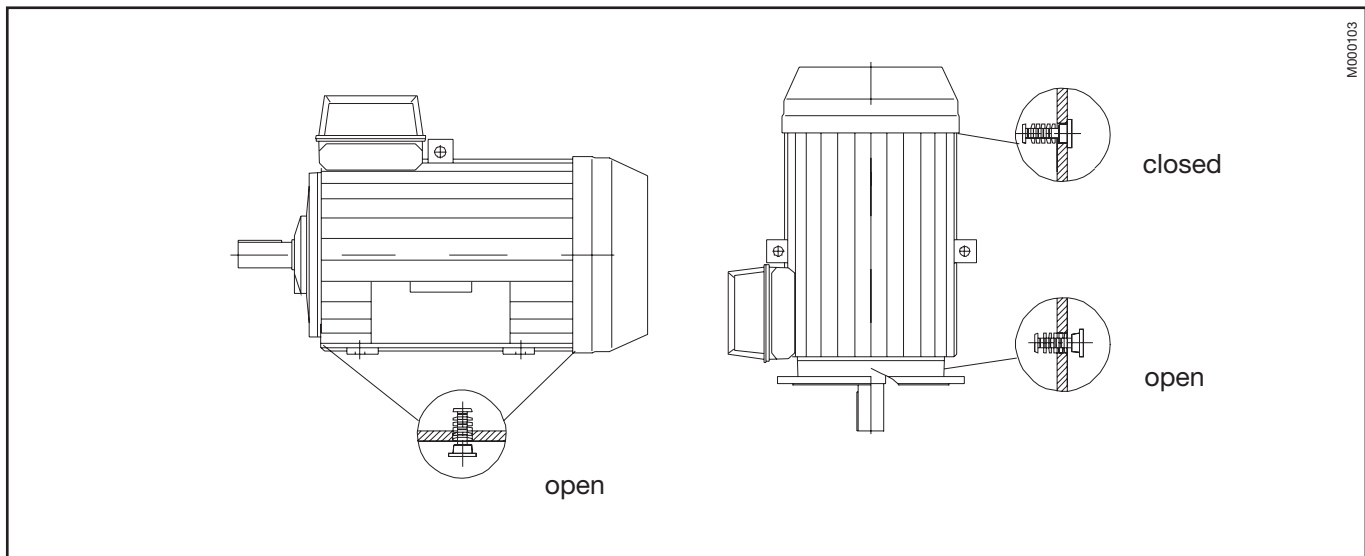
Drain holes

Motors that will be operated in very humid or wet environments, and especially under intermittent duty, should be provided with drain holes. The appropriate IM designation, such as IM V3 (IM 3031), is specified, on the basis of the method of motor mounting.

M2FA motors are fitted with drain holes and plugs. The

plugs are open on delivery. Check that the drain holes and grease outlet face downwards, when mounting designation differs from standard horizontal mounting.

In the case of vertical mounting, the upper plug must be hammered home completely. In very dusty environments the drain hole plug should be knocked in.



Terminal box

Terminal boxes are mounted either on the top of the motor, or on either side of the motor, see ordering information page .

In basic version the terminal box can be rotated 2x180° to allow cable entry from either side of the motor.

The terminal box is equipped with cable glands or cable boxes as standard, and terminations are suitable for Cu- and Al-cables. Cables are connected to the terminals by cable lugs which are not included with the motor.

To enable us to supply suitable terminations for the motor please state cable type, quantity and size when ordering.

For dimension drawings of terminal boxes, see drawings.

Co-ordination of terminal boxes and cable entries

If no ordering information on the cable is given, it is assumed to be p.v.c. -insulated type and termination parts are supplied according to the table below and on next page.

Deviations from standard design according to the following tables are available on request.

M2FA 280 to 400 motors with top-mounted terminal box Standard cable entries and cable boxes

Voltage 380 - 690 V, 50 Hz

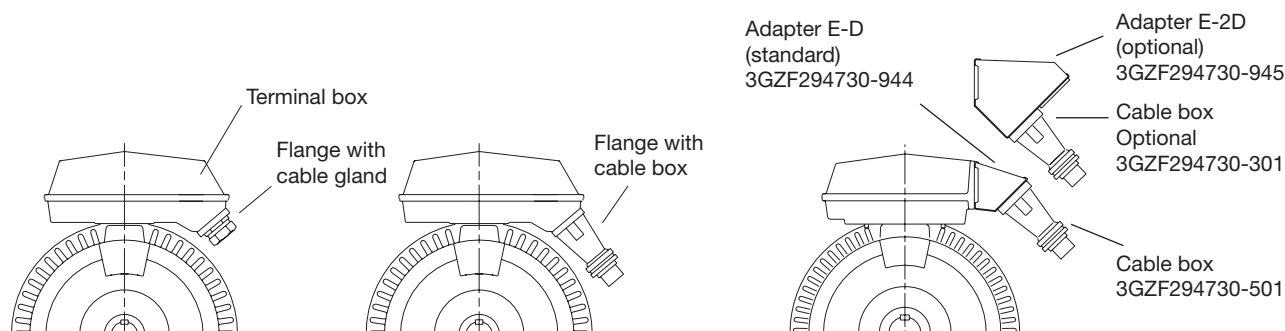
Motor size M2CA	Ter- minal box	Flange or adapter	Cable box or cable gland	Gland thread	Cable diameter	Max. connection cable area mm ²	Terminal bolt size	Voltage/ freq. code
3000 r/min (2 poles)								
280	122/4	3GZF 294730-749	2x 3GZF 294730-613		2x Ø32-49	2x150	M12	
315	142/4	3GZF 294730-753	2x 3GZF 294730-613		2x Ø32-49	2x240	M12	
355 SA	142/4	3GZF 294730-753	2x 3GZF 294730-613		2x Ø32-49	2x240	M12	
355 M ₋	162/4	3GZF 294730-944	3GZF 294730-301		2x Ø48-60	4x240	M12	D
	142/4	-	3GZF 294730-301		2x Ø48-60	2x240	M12	E
355 L ₋	162/4	3GZF 294730-944	3GZF 294730-301		2x Ø48-60	4x240	M12	
1500 r/min (4 poles)								
280	122/4	3GZF 294730-749	2x 3GZF 294730-613		2x Ø32-49	2x150	M12	
315	142/4	3GZF 294730-753	2x 3GZF 294730-613		2x Ø32-49	2x240	M12	
355 S ₋	142/4	3GZF 294730-753	2x 3GZF 294730-613		2x Ø32-49	2x240	M12	
355 M ₋	162/4	3GZF 294730-944	3GZF 294730-301		2x Ø48-60	4x240	M12	D
	142/4	-	3GZF 294730-301		2x Ø48-60	2x240	M12	E
355 LA	162/4	3GZF 294730-944	3GZF 294730-301		2x Ø48-60	4x240	M12	
355 LKD	162/4	3GZF 294730-944	3GZF 294730-501		2x Ø60-80	4x240	M12	
400 LKA	162/9	3GZF 294730-944	3GZF 294730-501		2x Ø60-80	4x240	M12	D
	162/4	3GZF 294730-944	3GZF 294730-501		2x Ø60-80	4x240	M12	E
400 LKB	162/9	3GZF 294730-944	3GZF 294730-501		2x Ø60-80	4x240	M12	
1000 r/min (6 poles)								
280	122/4	3GZF 294730-749	2x 3GZF 294730-613		2x Ø32-49	2x150	M12	
315	142/4	3GZF 294730-753	2x 3GZF 294730-613		2x Ø32-49	2x240	M12	
355 S ₋	142/4	3GZF 294730-753	2x 3GZF 294730-613		2x Ø32-49	2x240	M12	
750 r/min (8 poles)								
280	122/4	3GZF 294730-749	2x 3GZF 294730-613		2x Ø32-49	2x150	M12	
315	142/4	3GZF 294730-753	2x 3GZF 294730-613		2x Ø32-49	2x240	M12	
355 S ₋	142/4	3GZF 294730-753	2x 3GZF 294730-613		2x Ø32-49	2x240	M12	

Voltage/frequency codes:

D - 380-420 VD 50 Hz, 660-690 VY 50 Hz, 440-480 VD 60 Hz

E - 500 VD 50 Hz, 575 VD 60 Hz

Examples:



5

M000065

Alternatives for cable entries and cable boxes

The tables on previous pages show the standard terminal boxes and termination parts that are delivered when no information on the cable is given.

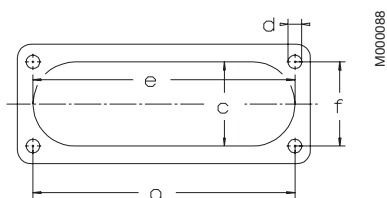
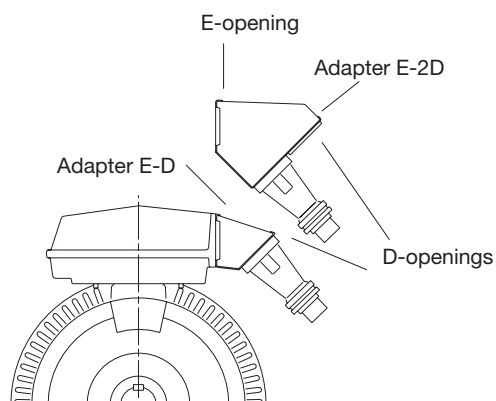
The table below shows the different alternatives avail-

able for cable boxes and cable entries. Other types on request.

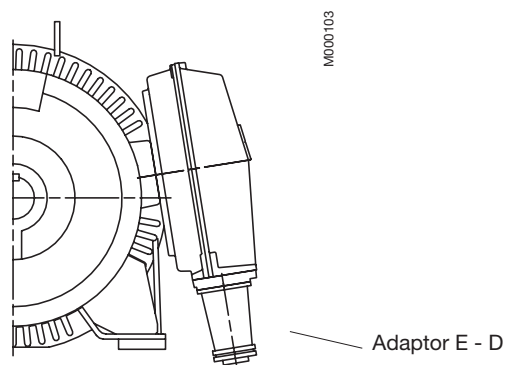
Motor size	Terminal box	Opening type	Max. rate current A (Y/D-conn.)	Max. size of conductor mm ²	Cable entry mm	Cable box	Blank plate
280	122/4	C (FL21)	210/360	2x150	1xPg29...42 2xPg29...42	1xØ36...52/Ø48...60 1xØ36...52/Ø48...60	MKLN 20
315	142/4	D (FL33)	370/640	2x185	1xPg36...42 2xPg36...48	1xØ36...52/Ø48...60 2xØ48...60/Ø50...68	MKLN 30
355, 400	142/4	D (FL33)	370/640	2x240	1xPg36...42 2xPg36...48	1xØ36...52/Ø48...60 2xØ48...60/Ø50...68	MKLN 30
	162/4	E-D ¹⁾	550/950	4x240	1xPg36...42 2xPg36...48	1xØ36...52/Ø48...60 2xØ48...60/Ø50...68 2x2Ø68...80	
		E-2D ¹⁾	550/950	4x240	2x1Pg36...42 2x2Pg36...48	2x1xØ36...52/Ø48...60 2x2xØ48...60/Ø50...68 2x2Ø68...80	

¹⁾ Terminal box type 162/4 is used with a combination of one E-opening and one or two D-openings, as described below:

Terminal box 162 with adapting flange 3GZF 294730-501 (E-D) or optional 3GZF 294730-301 (E-2D):



Terminal box 162 with adapting flange:



Opening	c	e	f	g	d
C (FL 21)	62	193	62	193	M8
D (FL 33)	100	300	80	292	M10
E (FL 40)	115	370	100	360	M12

Bearings

The motors are normally fitted with single-row deep groove ball bearings as listed in the table on the right. The complete ball bearing designation is stated on the rating plate.

If the bearing at the D-end is replaced with a roller bearing (NU- or NJ-), higher radial forces can be handled. Roller bearings are suitable for belt drive applications.

When there are high axial forces, angular-contact ball bearings should be used. This option is available on request. When a motor with angular-contact ball bearings is ordered, the method of mounting and direction and magnitude of the axial force must be specified. For special bearings, please see variant codes.

Standard bearing types

Motor size	Number of poles	Basic version with deep groove ball bearings		Version with roller bearings, variant code 037
		D-end	N-end	D-end
280	2	6316/C4	6316/C4	-
	4-8	6319/C3	6316/C3	(NU 319/C3)
315	2	6316/C4	6316/C4	-
	4-8	6319/C3	6316/C3	(NU319/C3)
355	2 ¹⁾	-	-	-
	4-8	6322/C3	6319/C3	(NU 322/C3)
400	4	6322/C3	6319/C3	(NU 322/C3)

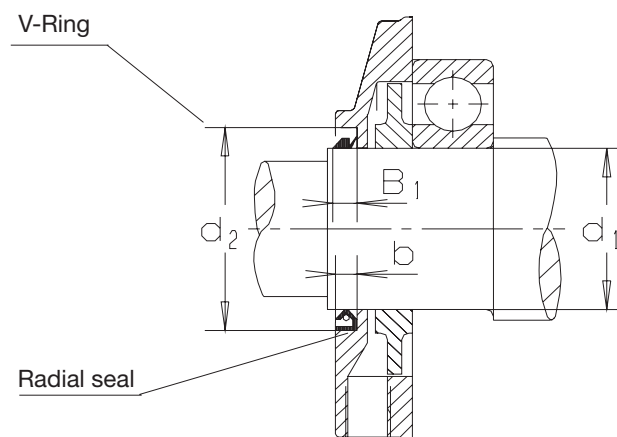
¹⁾ Please check technical construction with ABB.

Bearing seals

M2FA motors have, as standard, V-rings at both ends. The size and type of suitable seals are in accordance with the table below:

Motor size	Number of poles	d ₁	d ₂	B ₁	b	Standard design Axial seal		Alternative design Radial seal (DIN 3760)
						D-end	N-end	
280	2	80	100	13.5	10	VS 80	VS 80	80x100x10 ¹⁾
	4-8	95	120	13.5	12	VS 80	VS 80	95x120x12
315	2	80	100	13.5	10	VS 80	VS 80	80x100x10 ¹⁾
	4-8	95	120	13.5	12	VS 95	VS 80	95x120x12
355	2	95	120	13.5	12	VS 95	VS 95	95x120x12 ¹⁾
	4-8	110	140	15.5	12	VS 110	VS 95	110x140x12 ¹⁾
400	4-8	110	140	15.5	12	VS 110	VS 95	110x140x12 ¹⁾

¹⁾ Viton-seal



Permissible radial forces

The table below gives the permissible radial force in Newtons, assuming zero axial force. The values are based on normal conditions at 50 Hz and calculated bearing lives of 40,000 h.

At 60 Hz the values must be reduced by 10 %. For two-speed motors, the values must be based on the higher speed. Permissible loads of simultaneous radial and axial forces will be supplied on request.

Motors are B3 version with force directed sideways. In some cases the strength of the shaft affects the permissible forces.

Permissible radial and axial force for a bearing life of 40,000 hours

Motor size	Number of poles	Length of shaft extension E (mm)	Permissible radial force for:				Permissible axial force for ¹⁾ :		
			Horizontal mounting, sideways direction of force		Horizontal mounting, sideways direction of force		Horizontal mounting	Vertical mounting with shaft extension downwards	
			Ball bearing at point of application:		Roller bearing at point of application:		Direction of force		
			FX ₀ N	FX _{max} N	FX ₀ N	FX _{max} N	Outwards N	Upwards N	Downwards N
280	2	140	5850	4500	–	–	3800	7150	2250
	4	170	8900	7050	26100	11400	5300	8800	3800
	6	170	10200	8100	29500	11300	6500	10100	4700
	8	170	11200	8900	32100	11100	7450	11200	5500
315	2	140	5800	4800	–	–	3700	7450	1800
	4	170	9000	7300	26200	14000	5000	9250	2750
	6	170	10200	8350	29600	14200	6350	10800	3300
	8	170	11300	9200	32300	14300	7300	12200	4300
355	2	140	6200	5400	–	–	2100	²⁾	²⁾
	4	210	12100	9800	36500	18100	4100	²⁾	²⁾
	6	210	13800	11200	41500	20200	5500	²⁾	²⁾
	8	210	15200	12300	45000	21000	6900	²⁾	²⁾
400	2	170	²⁾	²⁾	–	–	²⁾	²⁾	²⁾
	4	210	12200	10500	37500	13500	3900	²⁾	²⁾
	6	210	²⁾	²⁾	²⁾	²⁾	²⁾	²⁾	²⁾
	8	210	²⁾	²⁾	²⁾	²⁾	²⁾	²⁾	²⁾

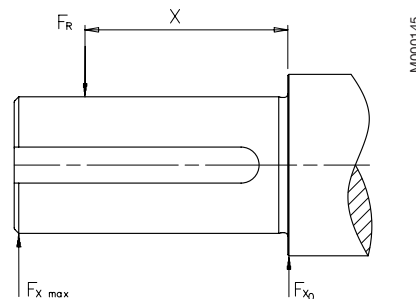
¹⁾ Flange-mounted motors with deep groove ball bearings at D-end. Other designs on request. No simultaneous radial forces allowed.

²⁾ On request.

If the radial force is applied between points X₀ and X_{max}, the permissible force F_R can be calculated from the following formula:

$$F_R = F_{x_0} - \frac{X}{E} (F_{x_0} - F_{x_{max}})$$

E = length of shaft extension in basic version



Ordering information

Sample order

When placing an order, please state the following minimum data in the order, as in the example.

The product code of the motor is composed in accordance with the following example.

Motor type	M2FA 315SMA
Pole number	2
Mounting arrangement (IM-code)	IM B3 (IM 1001)
Rated output	200 kW
Product code	3GFA312210-ASB
Variant codes if needed	

A	B	C	D,E,F, G	A Motor type
M2FA	315	SMA	3GFA 312 210 - ADA, 003 etc.	B Motor size
				C Product code
				D Mounting arrangement code
				E Voltage and frequency code
				F Generation code
				G Variant codes

Explanation of the product code:

Positions 1 to 4

3GFA = Open drip proof squirrel cage three phase motor with steel frame

Positions 5 and 6

IEC-frame size

28 = 280 **35** = 355

31 = 315 **40** = 400

Position 7

Speed (pole pairs)

1 = 2 poles **6** = 8 poles

2 = 4 poles **7** => 12 poles

3 = 6 poles **8** = Two-speed motors

4 = 8 poles **9** = Multi-speed motors

5 = 10 poles

Position 8 to 10

Serial number

Position 11

- (dash)

Position 12

Mounting arrangement

A = Foot-mounted, top-mounted terminal box

L = Foot-mounted, terminal box LHS, seen from D-end

R = Foot-mounted, terminal box RHS, seen from D-end

B = Flange-mounted

L = Foot-mounted, terminal box LHS, seen from D-end

R = Foot-mounted, terminal box RHS, seen from D-end

H = Foot- and flange-mounted, top-mounted terminal box

S = Foot- and flange-mounted, terminal box LHS seen from D-end

T = Foot- and flange-mounted, terminal box RHS seen from D-end

Position 13

Voltage/frequency code

See tables below

Position 14

Generation code

A, B, C...

The product code must, if needed, followed by variant codes.

Code letters for supplementing the product code for voltage and frequency – single speed motors:

A	B	D	E	F	H
380 VY 50 Hz	380 VΔ 50 Hz	380-420 VΔ 50 Hz 660-690 VY 50 Hz 440-480 VΔ 60 Hz	500 VΔ 50 Hz 575 VΔ 60 Hz	500 VY 50 Hz 575 VY 60 Hz	415 VΔ 50 Hz
S	T	U	X		
220-240 VΔ 50 Hz 380-420 VY 50 Hz 440-480 VY 60 Hz	660 VΔ 50 Hz	690 VΔ 50 Hz	Other rated voltage, connection or frequency, max. 690 V		

Code letters for supplementing the product code for voltage and frequency – two-speed motors:

A	B	D	E	H	S
220 V 50 Hz	380 V 50 Hz	380-400 V 50 Hz 440-480 V 60 Hz	500 V 50 Hz 575 V 60 Hz	400-415 V 50 Hz 460-480 V 60 Hz	220-230 V 50 Hz

General purpose open drip proof motors

Technical data for squirrel cage

three phase motors, steel frame

IP 23 S – IC 01 – Insulation class F, temperature rise class B

Output kW	Motor type	Product code	r/min	Efficiency Speed %	Power factor 100%	Current		Torque		
						I_N cos φ A	I_s I_N	T_N Nm	T_s T_N	T_{max} T_N
3000 r/min = 2 poles			400 V 50 Hz			Basic design				
132	²⁾ M2FA 280 SMA	3GFA 281 210-••A	2971	94.5	0.84	241	7.0	424	2.1	2.4
160	M2FA 315 SA	3GFA 311 110-••A	2977	94.2	0.86	289	6.7	513	1.6	2.5
200	M2FA 315 SMA	3GFA 311 210-••A	2975	94.4	0.86	353	7.1	643	1.8	2.6
250	M2FA 315 MB	3GFA 311 320-••A	2975	94.5	0.87	431	7.1	804	1.9	2.6
315	M2FA 315 MC	3GFA 311 330-••A	2977	94.6	0.84	573	7.8	1012	2.1	2.8
355	¹⁾ M2FA 315 LA	3GFA 311 510-••A	2969	94.9	0.89	606	6.8	1142	2.0	2.5
400	M2FA 315 LB	3GFA 311 520-••A	2969	94.8	0.88	700	7.3	1288	2.0	2.6
400	⁵⁾ M2FA 355 SA	3GFA 351 110-••A	2982	94.7	0.88	680	7.1	1280	1.1	2.6
450	⁵⁾ M2FA 355 MA	3GFA 351 310-••A	2978	95.0	0.89	765	7.4	1443	1.3	3.0
500	⁵⁾ M2FA 355 MB	3GFA 351 320-••A	2973	95.1	0.90	851	6.7	1606	1.2	2.7
560	⁵⁾ M2FA 355 LA	3GFA 351 510-••A	2981	95.5	0.89	956	8.7	1794	1.5	3.1
3000 r/min = 2 poles			400 V 50 Hz			High-output design				
160	M2FA 280 MB	3GFA 281 320-••A	2971	94.9	0.88	279	7.0	514	2.0	2.7
1500 r/min = 4 poles			400 V 50 Hz			Basic design				
110	M2FA 280 SA	3GFA 282 110-••A	1476	93.1	0.83	211	5.8	713	1.8	2.4
132	M2FA 280 SMA	3GFA 282 210-••A	1477	93.8	0.84	245	5.9	853	1.8	2.3
160	M2FA 315 SA	3GFA 312 110-••A	1483	94.6	0.83	297	6.5	1030	1.8	2.5
200	M2FA 315 SMA	3GFA 312 210-••A	1482	94.7	0.83	366	6.5	1287	1.8	2.3
250	M2FA 315 MB	3GFA 312 320-••A	1481	94.9	0.83	452	6.7	1611	1.7	2.3
315	¹⁾ M2FA 315 LA	3GFA 312 510-••A	1477	94.5	0.83	577	6.7	2036	2.2	2.5
315	M2FA 355 SA	3GFA 352 110-••A	1484	95.0	0.85	555	6.4	2027	1.7	2.4
355	²⁾ M2FA 355 SB	3GFA 352 120-••A	1485	95.4	0.82	653	6.6	2282	1.9	2.5
400	²⁾ M2FA 355 SC	3GFA 352 130-••A	1484	95.3	0.82	733	5.9	2574	1.7	2.2
450	²⁾ M2FA 355 MA	3GFA 352 310-••A	1485	95.4	0.83	810	6.5	2896	1.8	2.4
500	¹⁾²⁾ M2FA 355 LA	3GFA 352 510-••A	1486	95.4	0.81	920	7.7	3213	2.0	2.8
600	M2FA 355 LKD	3GFA 352 540-••A	⁴⁾							
710	M2FA 400 LKA	3GFA 402 510-••A	⁴⁾							
800	M2FA 400 LKB	3GFA 402 520-••A	⁴⁾							
1500 r/min = 4 poles			400 V 50 Hz			High-output design				
160	M2FA 280 MB	3GFA 282 320-••A	1480	94.0	0.81	305	7.2	1032	2.5	2.6

The two bullets in the product code indicate choice of mounting arrangement, voltage and frequency (see ordering information page).

- ¹⁾ Temperature rise class F.
- ²⁾ Special winding for 415V 50 Hz.
- ³⁾ 415 V 50 Hz and 440 V 60 Hz on request.
- ⁴⁾ On request.
- ⁵⁾ Please check technical construction with ABB.

General purpose open drip proof motors

Technical data for squirrel cage

three phase motors, steel frame

IP 23 S – IC 01 – Insulation class F, temperature rise class B

Output kW	Motor type	Speed r/min	Efficiency %	Power factor cos φ	Current I _N A	Speed r/min	Efficiency %	Power factor cos φ	Current I _N A	Moment of inertia J = ¼ GD ² kgm ²	Weight kg	Sound pressure level L _p dB(A)
3000 r/min = 2 poles		380 V 50 Hz				415 V 50 Hz				Basic design		
132 ²⁾	M2FA 280 SMA	2969	94.4	0.86	246	2966	94.1	0.87	227	0.8	540	87
160	M2FA 315 SA	2975	94.2	0.87	302	2978	94.2	0.84	282	1.2	695	92
200	M2FA 315 SMA	2974	94.3	0.87	370	2978	94.4	0.84	344	1.4	770	92
250	M2FA 315 MB	2974	94.4	0.88	449	2976	94.5	0.85	420	1.7	840	92
315	M2FA 315 MC	2974	94.6	0.86	576	2971	94.6	0.88	530	1.7	840	92
355 ¹⁾	M2FA 315 LA	2965	94.8	0.89	635	2970	94.9	0.86	591	2.1	975	92
400	M2FA 315 LB	2966	94.7	0.88	720	2970	94.8	0.85	683	2.1	975	92
400 ⁵⁾	M2FA 355 SA	2980	94.6	0.90	700	2983	94.7	0.87	663	3.2	1220	93
450 ⁵⁾	M2FA 355 MA	2975	94.9	0.90	795	2979	95.0	0.87	746	3.5	1320	93
500 ⁵⁾	M2FA 355 MB	2970	95.1	0.90	880	2974	95.1	0.87	830	3.5	1320	93
560 ⁵⁾	M2FA 355 LA	2978	95.5	0.90	980	⁴⁾				4.8	1530	93
3000 r/min = 2 poles		380 V 50 Hz				415 V 50 Hz				High-output design		
160	M2FA 280 MB	2968	94.8	0.88	288	2973	94.9	0.86	269	1.15	580	89
1500 r/min = 4 poles		380 V 50 Hz				415 V 50 Hz				Basic design		
110	M2FA 280 SA	1474	92.8	0.85	217	1477	93.1	0.82	206	1.15	445	81
132	M2FA 280 SMA	1474	93.2	0.86	255	1478	93.8	0.83	239	1.4	490	81
160	M2FA 315 SA	1481	94.5	0.85	306	1481	94.6	0.84	283	2	680	86
200	M2FA 315 SMA	1480	94.6	0.85	379	1483	94.8	0.82	360	2.3	735	86
250	M2FA 315 MB	1479	94.7	0.86	470	1482	94.9	0.83	441	2.9	850	86
315 ¹⁾	M2FA 315 LA	1475	94.5	0.85	596	1473	93.5	0.86	540	3.5	970	87
315	M2FA 355 SA	1482	94.8	0.86	584	1485	95.0	0.83	541	5.5	1220	89
355 ²⁾	M2FA 355 SB	1484	95.3	0.84	670	1485	95.4	0.83	622	5.5	1220	89
400 ²⁾	M2FA 355 SC	1482	95.2	0.85	746	1483	95.1	0.84	685	5.5	1220	89
450 ²⁾	M2FA 355 MA	1483	95.3	0.85	835	1484	95.4	0.83	798	6.5	1350	89
500 ¹⁾²⁾	M2FA 355 LA	1484	95.3	0.84	949	1486	95.4	0.83	880	7.8	1550	89
600	M2FA 355 LKD	⁴⁾								9.8	1820	
710	M2FA 400 LKA	⁴⁾									2700	
800	M2FA 400 LKB	⁴⁾									2700	
1500 r/min = 4 poles		380 V 50 Hz				415 V 50 Hz				High-output design		
160	M2FA 280 MB	1478	93.9	0.84	310	1481	94.0	0.81	298	1.7	550	87

The two bullets in the product code indicate choice of mounting arrangement, voltage and frequency (see ordering information page).

- ¹⁾ Temperature rise class F.
- ²⁾ Special winding for 415V 50 Hz.
- ³⁾ 415 V 50 Hz and 440 V 60 Hz on request.
- ⁴⁾ On request.
- ⁵⁾ Please check technical construction with ABB.

General purpose open drip proof motors

Technical data for squirrel cage

three phase motors, steel frame

IP 23 S – IC 01 – Insulation class F, temperature rise class B

Output kW	Motor type	Product code	r/min	Efficiency Speed %	Power factor 100%	Current		Torque			
						I_N cos φ A	I_s I_N	T_N Nm	T_s T_N	T_{max} T_N	
1000 r/min = 6 poles			400 V 50 Hz			Basic design					
75	M2FA 280 SA	3GFA 283 110-••A	987	92.8	0.76	155	5.8	725	1.9	2.2	
90	¹⁾ M2FA 280 SMA	3GFA 283 210-••A	987	93.1	0.76	187	6.1	870	2.0	2.3	
110	M2FA 315 SA	3GFA 313 110-••A	988	93.5	0.81	210	7.4	1062	1.7	2.6	
132	M2FA 315 SMA	3GFA 313 210-••A	988	94.0	0.83	248	7.6	1275	1.8	2.7	
160	M2FA 315 MB	3GFA 313 320-••A	988	94.1	0.82	300	8.2	1545	1.9	2.8	
185	¹⁾ M2FA 315 LA	3GFA 313 510-••A	987	94.4	0.83	346	8.5	1788	1.9	2.9	
200	M2FA 355 SA	3GFA 353 110-••A	990	94.7	0.82	373	7.1	1927	1.6	2.5	
250	M2FA 355 SB	3GFA 353 120-••A	990	94.8	0.83	457	7.3	2409	1.6	2.5	
300	M2FA 355 MA	3GFA 353 310-••A	990	95.1	0.81	541	7.2	2894	1.7	2.4	
1000 r/min = 6 poles			400 V 50 Hz			High-output design					
110	¹⁾ M2FA 280 MB	3GFA 283 320-••A	987	93.6	0.76	227	6.5	1063	2.1	2.3	
750 r/min = 8 poles			400 V 50 Hz			Basic design					
55	M2FA 280 SA	3GFA 284 110-••A	738	91.2	0.78	117	5.6	711	1.2	2.0	
75	¹⁾ M2FA 280 SMA	3GFA 284 210-••A	738	91.8	0.76	161	6.1	970	1.4	2.1	
90	M2FA 315 SMA	3GFA 314 210-••A	739	92.9	0.79	183	6.8	1162	1.7	2.5	
110	M2FA 315 MB	3GFA 314 320-••A	739	93.4	0.78	224	7.3	1420	1.8	2.6	
132	¹⁾ M2FA 315 LA	3GFA 314 510-••A	739	93.3	0.78	268	7.2	1706	1.8	2.6	
150	M2FA 355 SA	3GFA 354 110-••A	740	93.4	0.75	318	5.3	1934	1.3	2.0	
185	¹⁾ M2FA 355 SB	3GFA 354 120-••A	740	93.9	0.76	381	5.6	2385	1.4	2.0	
750 r/min = 8 poles			400 V 50 Hz			High-output design					
90	¹⁾ M2FA 280 MB	3GFA 284 320-••A	739	92.6	0.75	192	6.7	1162	1.6	2.2	

The two bullets in the product code indicate choice of mounting arrangement, voltage and frequency (see ordering information page).

¹⁾ Temperature rise class F.

²⁾ On request.

General purpose open drip proof motors

Technical data for squirrel cage

three phase motors, steel frame

IP 23 S – IC 01 – Insulation class F, temperature rise class B

Output kW	Motor type	Speed r/min	Efficiency %	Power factor cos φ	Current I _N A	Speed r/min	Efficiency %	Power factor cos φ	Current I _N A	Moment of inertia J = ¼ GD ² kgm ²	Weight kg	Sound pressure level L _p dB(A)
1000 r/min = 6 poles		380 V 50 Hz				415 V 50 Hz				Basic design		
75	M2FA 280 SA	985	92.7	0.79	158	986	92.7	0.79	146	1.65	440	²⁾
90	¹⁾ M2FA 280 SMA	986	92.9	0.79	190	987	93.1	0.78	178	2.6	475	²⁾
110	M2FA 315 SA	986	93.4	0.85	212	989	93.5	0.78	209	2.9	630	²⁾
132	M2FA 315 SMA	986	93.7	0.85	256	989	94.0	0.81	242	3.8	720	²⁾
160	M2FA 315 MB	986	94.0	0.85	310	989	94.1	0.8	300	4.5	810	²⁾
185	¹⁾ M2FA 315 LA	986	94.2	0.85	352	988	94.4	0.79	340	5.4	915	²⁾
200	M2FA 355 SA	989	94.5	0.84	385	990	94.7	0.81	364	8.7	1220	²⁾
250	M2FA 355 SB	989	94.7	0.84	478	991	94.8	0.81	446	10.2	1320	²⁾
300	M2FA 355 MA	988	94.9	0.85	546	991	95.1	0.82	528	12.5	1550	²⁾
1000 r/min = 6 poles		380 V 50 Hz				415 V 50 Hz				High-output design		
110	¹⁾ M2FA 280 MB	986	93.4	0.79	231	988	93.6	0.77	219	2.9	545	²⁾
750 r/min = 8 poles		380 V 50 Hz				415 V 50 Hz				Basic design		
55	M2FA 280 SA	736	89.9	0.81	119	739	91.2	0.77	114	1.85	460	²⁾
75	¹⁾ M2FA 280 SMA	736	91.7	0.79	161	739	91.8	0.75	157	2.2	500	²⁾
90	M2FA 315 SMA	738	92.7	0.80	186	740	92.9	0.76	179	3.8	720	²⁾
110	M2FA 315 MB	738	93.2	0.80	233	740	93.4	0.76	219	4.5	810	²⁾
132	¹⁾ M2FA 315 LA	737	93.1	0.80	275	740	93.3	0.76	262	5.4	915	²⁾
150	M2FA 355 SA	739	93.3	0.77	322	741	93.4	0.73	311	8.7	1220	²⁾
185	¹⁾ M2FA 355 SB	739	93.7	0.78	393	741	93.9	0.74	372	10.2	1320	²⁾
750 r/min = 8 poles		380 V 50 Hz				415 V 50 Hz				High-output design		
90	¹⁾ M2FA 280 MB	738	92.5	0.78	192	740	92.6	0.74	188	2.9	575	²⁾

The two bullets in the product code indicate choice of mounting arrangement, voltage and frequency (see ordering information page).

¹⁾ Temperature rise class F.

²⁾ On request.

General purpose open drip proof motors

Technical data for squirrel cage

three phase motors, steel frame, two speed

IP 23 S – IC 01 – Insulation class F, temperature rise class F

Output kW	Motor type	Product code	Speed r/min	Efficiency %	Power factor cos φ	Current		Torque			Moment of inertia J = 1/4 GD ² kgm ²	Weight kg	
						I _N A	I _s I _N	T _N Nm	T _s T _N	T _{max} T _N			
1500/1000 r/min = 4/6-poles												Fan drive. two separate windings	
90/30	M2FA 280 SMA	3GFA 288 214-••A	1480/987	91.0/86.3	0.85/0.76	168/65	6.7/7.2	581/290	1.7/2.6	2.7/2.4	1.4	490	
110/32	M2FA 280 MB	3GFA 288 324-••A	1482/988	92.3/87.4	0.84/0.77	204/69	7.4/7.3	709/309	2.1/2.7	2.8/2.7	1.7	550	
132/40	M2FA 315 SMA	3GFA 318 214-••A	1484/989	92.6/89.2	0.85/0.79	239/84	6.3/6.4	849/386	1.5/2.1	2.4/2.4	2.3	735	
170/50	M2FA 315 MB	3GFA 318 324-••A	1486/988	93.4/89.7	0.83/0.78	310/103	7.3/6.3	1092/483	1.8/2.3	2.8/2.3	2.9	850	
200/63	M2FA 315 LA	3GFA 318 514-••A	1486/989	93.9/90.8	0.83/0.76	362/130	7.7/7.4	1285/608	2.0/2.8	2.9/2.7	3.5	970	
260/85	M2FA 355 SA	3GFA 358 114-••A	1487/990	94.5/91.8	0.83/0.78	473/171	6.3/7.0	1670/820	1.4/2.3	2.4/2.4	5.5	1220	
340/100	M2FA 355 MA	3GFA 358 314-••A	1488/989	95.0/92.0	0.82/0.79	620/199	7.0/6.5	2182/966	1.5/2.1	2.7/2.3	6.5	1320	
400/120	M2FA 355 LA	3GFA 358 514-••A	1487/992	94.9/92.1	0.88/0.78	680/240	7.0/8.8	2569/1155	1.3/2.3	2.4/3.0	7.8	1550	
1500/750 r/min = 4-8 poles												Fan drive. Dahlander-Connection	
100/25	M2FA 280 SMA	3GFA 288 219-••A	1478/735	92.0/87.6	0.85/0.68	185/62	6.2/4.1	646/325	1.5/1.5	2.4/1.7	1.4	490	
110/28	M2FA 280 MB	3GFA 288 329-••A	1479/735	92.4/88.3	0.86/0.68	199/67	6.7/4.1	710/364	1.7/1.5	2.4/1.7	1.7	550	
140/35	M2FA 315 SMA	3GFA 318 219-••A	1485/740	93.5/89.9	0.83/0.64	259/87	6.8/4.7	900/452	1.5/1.6	2.6/1.9	2.3	735	
185/46	M2FA 315 MB	3GFA 318 329-••A	1483/738	93.7/90.5	0.85/0.67	333/110	6.5/4.2	1191/595	1.5/1.4	2.4/1.7	2.9	850	
220/55	M2FA 315 LA	3GFA 318 519-••A	1485/739	94.2/91.2	0.83/0.64	397/136	7.6/4.6	1415/711	1.7/1.5	2.8/2.0	3.5	975	
250/63	M2FA 355 MA	3GFA 358 319-••A	1486/740	94.7/92.2	0.86/0.66	440/148	6.3/4.0	1607/813	1.1/1.0	2.3/1.7	6.5	1320	
315/80	M2FA 355 LA	3GFA 358 519-••A	1489/741	95.1/93.0	0.84/0.64	560/195	8.0/5.0	2020/1031	1.7/1.4	2.9/2.0	7.8	1550	
1500/1000 r/min = 4/6 poles												Constant torque, two separate windings	
75/50	M2FA 280 SMA	3GFA 289 214-••A	1480/984	89.6/87.9	0.86/0.77	140/105	6.2/6.3	484/485	1.5/2.4	2.3/2.4	1.4	490	
90/60	M2FA 280 MB	3GFA 289 324-••A	1481/987	91.0/89.3	0.86/0.73	169/131	6.8/6.9	580/581	1.7/2.7	2.5/2.6	1.7	550	
120/80	M2FA 315 SMA	3GFA 319 214-••A	1486/988	91.8/91.2	0.85/0.75	225/171	6.3/6.2	771/773	1.5/2.3	2.5/2.3	2.3	735	
150/100	M2FA 315 MB	3GFA 319 324-••A	1488/989	92.6/91.8	0.82/0.75	285/215	7.6/6.6	986/966	1.8/2.5	2.9/2.5	2.9	850	
185/125	M2FA 315 LA	3GFA 319 514-••A	1486/988	93.4/92.2	0.83/0.73	345/265	7.8/6.8	1189/1208	1.9/2.8	2.9/2.5	3.5	970	
200/130	M2FA 355 SA	3GFA 359 114-••A	1487/991	93.5/92.9	0.88/0.83	360/248	7.8/9.0	1284/1253	1.2/2.3	3.0/3.2	8.5	1220	
240/160	M2FA 355 MA	3GFA 359 314-••A	1489/991	94.1/93.4	0.84/0.84	439/289	8.6/8.8	1539/1542	1.6/2.4	3.4/2.8	10.2	1320	
1500/750 r/min = 4-8 poles												Constant torque, Dahlander-Connection	
85/48	M2FA 280 SMA	3GFA 289 219-••A	1480/740	91.2/89.9	0.84/0.65	159/119	5.5/5.4	548/619	1.5/2.7	2.2/2.3	2.6	475	
100/55	M2FA 280 MB	3GFA 289 329-••A	1479/740	91.2/90.6	0.87/0.70	183/125	5.4/5.5	646/710	1.6/2.5	2.1/2.2	2.9	545	
125/80	M2FA 315 SMA	3GFA 319 219-••A	1481/739	92.0/91.6	0.88/0.75	220/164	6.0/5.8	806/1034	1.3/1.8	2.1/2.0	4.1	755	
150/95	M2FA 315 MB	3GFA 319 329-••A	1481/739	92.4/91.9	0.88/0.75	262/194	6.1/5.7	967/1228	1.4/1.8	2.1/2.0	4.9	845	
185/120	M2FA 315 LA	3GFA 319 519-••A	1482/739	92.8/92.2	0.88/0.75	325/247	6.5/5.9	1192/1551	1.5/1.9	2.2/2.0	5.8	950	
225/125	M2FA 355 MA	3GFA 359 319-••A	1486/743	93.6/91.8	0.91/0.73	386/271	6.7/6.2	1446/1607	1.1/1.6	2.4/2.5	10.2	1320	
300/160	M2FA 355 LA	3GFA 359 519-••A	1489/744	94.0/92.5	0.88/0.68	512/368	8.1/7.1	1924/2054	1.5/2.0	2.8/2.9	12.5	1550	

The two bullets in the product code indicate choice of mounting arrangement, voltage and frequency (see ordering information page).

Data for other number of poles and bigger frame sizes on request.

General purpose open drip proof motors - Variant codes

Code ¹⁾	Variant	Motor size			
		280	315	355	400
Balancing					
052	Vibration acc. to grade A (IEC 60034-14).	S	S	S	S
417	Vibration acc. to grade B (IEC 60034-14).	P	P	P	P
424	Full key balancing.	P	P	P	P
Bearings and lubrication					
036	Transport lock for bearings.	P	P	P	P
037	Roller bearing at D-end.	P	P	P	P
043	SPM nipples.	P	P	P	P
058	Angular contact bearing at D-end, shaft force away from bearing.	P	P	P	P
107	Pt100 2-wire in bearings.	P	P	P	P
420	Bearing mounted PTC-thermistors.	P	P	P	P
Branch standard designs					
209	Non-standard voltage or frequency (special winding).	P	P	P	P
Coupling					
035	Assembly of customer supplied coupling-half.	P	P	P	P
Heating elements					
450	Heating element, 100-120 V.	P	P	P	P
451	Heating element, 200-240 V.	P	P	P	P
Insulation system					
014	Winding insulation class H.	R	R	R	R
Mounting arrangements					
009	IM 2001 foot/flange mounted, from IM 1001 (B35 from B3).	P	P	P	P
066	Modified for non-standard mounting position (please specify IM xxxx). (must be ordered for all mounting arrangements excluding IM B3 (1001) and B5 (3001)).	P	P	P	P
Painting					
114	Special paint colour, standard grade.	P	P	P	P
Protection					
005	Protective roof, vertical motor, shaft down.	P	P	P	P
072	Radial seal at D-end.	P	P	P	P
Rating & instruction plates					
002	Restamping voltage, frequency and output, continuous duty.	P	P	P	P
095	Restamping output (maintained voltage, frequency), intermittent duty.	P	P	P	P
135	Mounting of additional identification plate, stainless.	P	P	P	P
161	Additional rating plate delivered loose.	P	P	P	P

¹⁾ Certain variant codes cannot be used together.

M = On modification of a stocked motor, or on new manufacture, the number per order may be limited.

R = On request

S = Included as standard

P = New manufacture only

Code ¹⁾	Variant	Motor size			
		280	315	355	400
Shaft & rotor					
069	Two shaft extensions as per basic catalogue.	P	P	P	P
070	One or two special shaft extensions, standard shaft material.	P	P	P	P
Stator winding temperature sensors					
121	Bimetal detectors, break type (NCC), (3 in series), 130°C, in stator winding.	P	P	P	P
122	Bimetal detectors, break type (NCC), (3 in series), 150°C, in stator winding.	P	P	P	P
123	Bimetal detectors, break type (NCC), (3 in series), 170°C, in stator winding.	P	P	P	P
125	Bimetal detectors, break type (NCC), (2x3 in series), 150°C, in stator winding.	P	P	P	P
127	Bimetal detectors, break type (NCC), (3 in series, 130°C & 3 in series, 150°C), in stator winding.	P	P	P	P
435	PTC-thermistors (3 in series), 130°C, in stator winding.	P	P	P	P
436	PTC-thermistors (3 in series), 150°C, in stator winding.	S	S	S	S
437	PTC-thermistors (3 in series), 170°C, in stator winding.	P	P	P	P
439	PTC-thermistors (2x3 in series), 150°C, in stator winding.	P	P	P	P
441	PTC-thermistors (3 in series, 130°C & 3 in series, 150°C), in stator winding.	P	P	P	P
442	PTC-thermistors (3 in series 150°C & 3 in series 170°C), in stator winding.	P	P	P	P
445	Pt100 2-wire in stator winding, 1 per phase.	P	P	P	P
446	Pt100 2-wire in stator winding, 2 per phase.	P	P	P	P
Terminal box					
021	Terminal box LHS, seen from D-end (= L prod.code).	P	P	P	P
180	Terminal box RHS, seen from (reconnection from D).	P	P	P	P
022	Cable entry LHS (seen from D-end).	P	P	P	P
468	Cable entry from D-end.	P	P	P	P
Testing					
145	Type test report from a catalogue motor, 400 V 50 Hz.	P	P	P	P
146	Type test with report for motor from specific delivery batch.	P	P	P	P
147	Type test with report for motor from specific delivery batch, customer witnessed.	P	P	P	P
148	Routine test report.	P	P	P	P
149	Testing according to separate test specification.	R	R	R	R
222	Torque/speed curve, type test and multi-point load test with report for motor from specific delivery batch.	P	P	P	P
153	Reduced test for classification society.	P	P	P	P
760	Vibration level test.	P	P	P	P
761	Vibration spectrum test.	P	P	P	P
762	Noise level test.	P	P	P	P
763	Noise spectrum test.	P	P	P	P

¹⁾ Certain variant codes cannot be used together.

M = On modification of a stocked motor, or on new manufacture, the number per order may be limited.

R = On request

S = Included as standard

P = New manufacture only

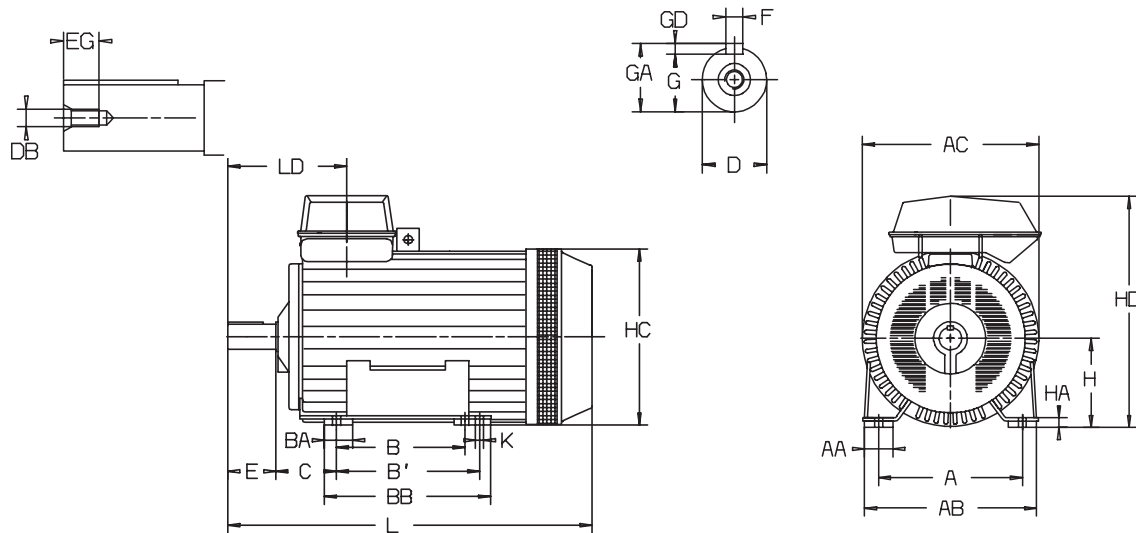
General purpose open drip proof motors

Sizes 280 - 315

Dimension drawings

Foot-mounted; IM B3 (IM 1001), IM B6 (IM 1051), IM B8 (IM 1071), IM V5 (IM 1011)

Terminal box top-mounted



Motor size	Poles	A	AA	AB	AC	B	B'	BA	BB	C	D	DB	E	EG
280 SA	4-8	457	80	545	555	368	-	100	450	190	80	M20	170	40
280 SMA	2	457	80	545	555	368	419	100	501	190	65	M20	140	40
280 SMA	4-8	457	80	545	555	368	419	100	501	190	80	M20	170	40
280 MB	2	457	80	545	555	419	-	100	501	190	65	M20	140	40
280 MB	4-8	457	80	545	555	419	-	100	501	190	80	M20	170	40
315 SA	2	508	100	622	624	406	-	100	535	216	70	M20	140	40
315 SA	4-6	508	100	622	624	406	-	100	535	216	90	M24	170	48
315 SMA	2	508	100	622	624	406	457	100	540	216	70	M20	140	40
315 SMA	4-8	508	100	622	624	406	457	100	540	216	90	M24	170	48
315 MB, MC	2	508	100	622	624	457	-	100	540	216	70	M20	140	40
315 MB	4-8	508	100	622	624	457	-	100	540	216	90	M24	170	48
315 LA, LB	2	508	100	622	624	508	-	100	592	216	70	M20	140	40
315 LA, LB	4-8	508	100	622	624	508	-	100	592	216	90	M24	170	48

Motor size	Poles	F	G	GA	GD	H	HA	HC	HD	K	L	LD
280 SA	4-8	22	71	85	14	280	32	556	730	24	1020	415
280 SMA	2	18	58	69	11	280	32	556	730	24	1060	385
280 SMA	4-8	22	71	85	14	280	32	556	730	24	1090	415
280 MB	2	18	58	69	11	280	32	556	730	24	1120	385
280 MB	4-8	22	71	85	14	280	32	556	730	24	1150	415
315 SA	2	20	62.5	74.5	12	315	32	625	820	28	1123	392
315 SA	4-6	25	81	95	14	315	32	625	820	28	1153	422
315 SMA	2	20	62.5	74.5	12	315	32	625	820	28	1223	392
315 SMA	4-8	25	81	95	14	315	32	625	820	28	1153	422
315 MB, MC	2	20	62.5	74.5	12	315	32	625	820	28	1223	392
315 MB	4-8	25	81	95	14	315	32	625	820	28	1253	422
315 LA, LB	2	20	62.5	74.5	12	315	32	625	820	28	1293	392
315 LA, LB	4-8	25	81	95	14	315	32	625	848	28	1323	422

Tolerances:

A,B	ISO js 14	H	0, -0.5 (M2FA 250)
D	ISO m6		0, -1.0 (M2FA 280-315)
F	ISO h9		

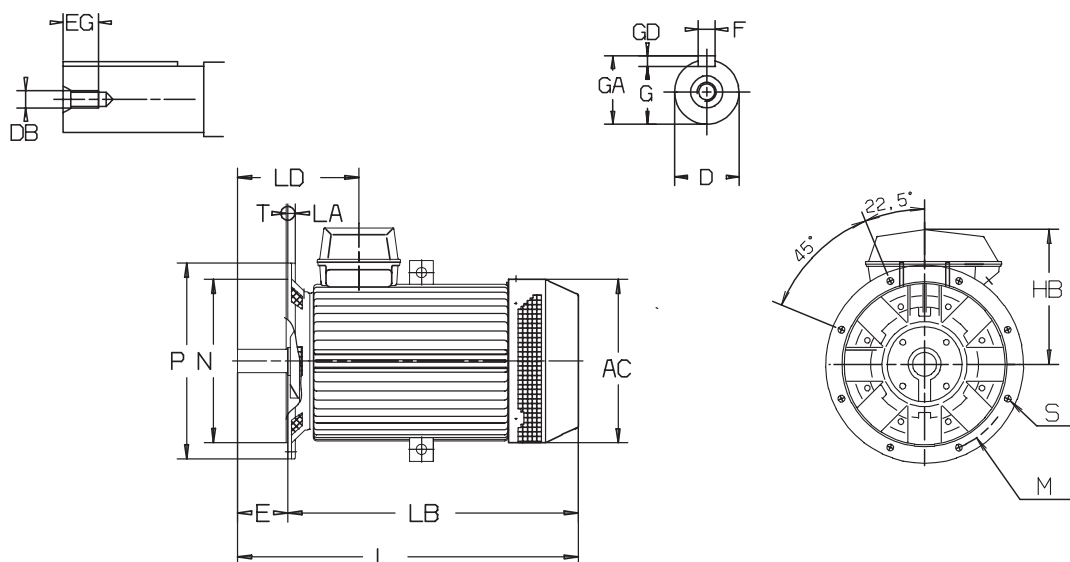
Above table gives the main dimensions in mm.
For detailed drawings please see our web-site
www.abb.com/motors&drives or contact us.

General purpose open drip proof motors

Sizes 280 - 315

Dimension drawings

Flange-mounted; IM B5 (IM 3001), IM V1 (IM 3011)



M000106

Motor size	Poles	AC	D	DB	E	EG	F	G	GA	GD	HB
280 SA	4-8	551	80	M20	170	40	22	71	85	14	450
280 SMA	2	551	65	M20	140	40	18	58	69	11	450
280 SMA	4-8	551	80	M20	170	40	22	71	85	14	450
280 MB	2	551	80	M20	140	40	18	58	69	11	450
280 MB	4-8	551	80	M20	170	40	22	71	85	14	450
315 SA	2	620	70	M20	140	40	20	62.5	74.5	12	505
315 SA	4-6	620	90	M24	170	48	25	81	95	14	505
315 SMA	2	620	70	M20	140	40	20	62.5	74.5	12	505
315 SMA	4-8	620	90	M24	170	48	25	81	95	14	505
315 MB, MC	2	620	70	M20	140	40	20	62.5	74.5	12	505
315 MB	4-8	620	90	M24	170	48	25	81	95	14	505
315 LA	2	620	70	M20	140	40	20	62.5	74.5	12	505
315 LA	4-8	620	90	M24	170	48	25	81	95	14	505
315 LB	2	620	70	M20	140	10	20	62.5	74.5	12	533

Motor size	Poles	L	LA	LB	LD	M	N	P	S	T
280 SA	4-8	1020	25	850	410	600	550	660	23	6
280 SMA	2	1060	25	920	380	600	550	660	23	6
280 SMA	4-8	1090	25	920	410	600	550	660	23	6
280 MB	2	1120	25	980	380	600	550	660	23	6
280 MB	4-8	1150	25	980	410	600	550	660	23	6
315 SA	2	1123	25	983	390	740	680	800	23	6
315 SA	4-6	1153	25	983	420	740	680	800	23	6
315 SMA	2	1223	25	1083	390	740	680	800	23	6
315 SMA	4-8	1153	25	983	420	740	680	800	23	6
315 MB, MC	2	1223	25	1083	390	740	680	800	23	6
315 MB	4-8	1253	25	1083	420	740	680	800	23	6
315 LA	2	1293	25	1153	390	740	680	800	23	6
315 LA	4-8	1323	25	1153	420	740	680	800	23	6
315 LB	2	1293	25	1153	390	740	680	800	23	6

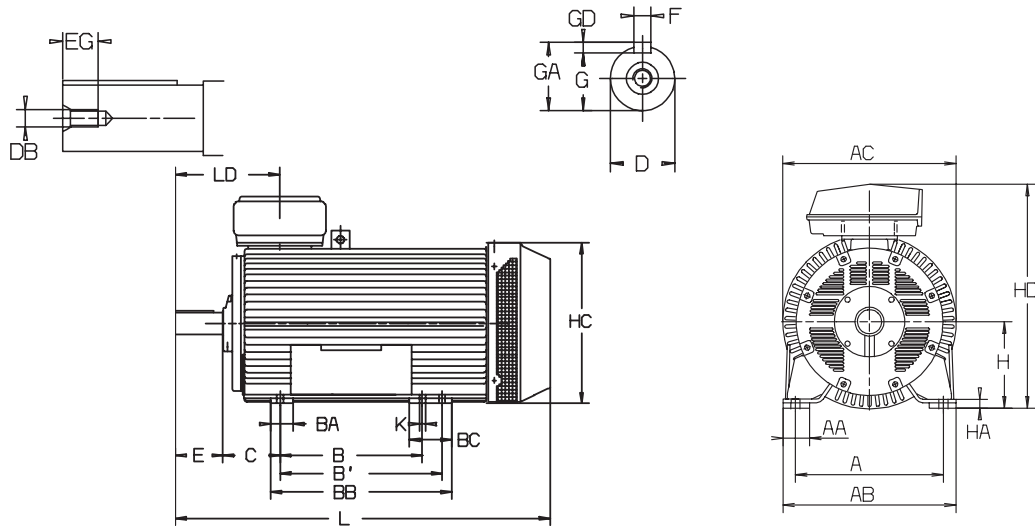
Tolerances:

D ISO m6
F ISO h9
N ISO js6

Above table gives the main dimensions in mm.
For detailed drawings please see our web-site
www.abb.com/motors&drives or contact us.

Dimension drawings

Foot-mounted; IM B3 (IM 1001), IM B6 (IM 1051), IM B8 (IM 1071), IM V5 (IM 1011)
Terminal box top-mounted



Motor size	Poles	A	AA	AB	AC	B	B'	BA	BB	BC	C	D	DB	E	EG
355 S_	2	610	110	714	716	500	-	100	584	-	254	75	M20	140	40
355 SA	4-8	610	110	714	716	500	-	100	584	-	254	100	M24	210	48
355 SB,SC	4	610	110	714	716	500	-	100	584	-	254	100	M24	210	48
355 SB,SC	6-8	610	110	714	716	500	-	100	584	-	254	100	M24	210	48
355 M_	2	610	110	714	716	560	-	100	644	-	254	75	M20	140	40
355 M_	4	610	110	714	716	560	-	100	644	-	254	100	M24	210	48
355 M_	6-8	610	110	714	716	560	-	100	644	-	254	100	M24	210	48
355 L_	2	610	110	714	716	630	-	100	714	-	254	75	M20	140	40
355 L_	4	610	110	714	716	630	-	100	714	-	254	100	M24	210	48
355 L_	6-8	610	110	714	716	630	-	100	714	-	254	100	M24	210	48
355 LK_	2	610	110	714	716	630	710	100	802	180	254	75	M20	140	40
355 LK_	4-8	610	110	714	716	630	710	100	802	180	254	100	M24	210	48
400 LK_	2	686	140	820	810	710	800	140	935	220	280	90	M24	170	48
400 LK_	4-8	686	140	820	810	710	800	140	935	220	280	100	M24	210	48

Motor size	Poles	F	G	GA	GD	H	HA	HC	HD	K	L	LD
355 S_	2	20	67.5	79.5	12	355	36	713	920	28	1310	397
355 SA	4-8	28	90	106	16	355	36	713	892	28	1380	467
355 SB,SC	4	28	90	106	16	355	36	713	920	28	1380	467
355 SB,SC	6-8	28	90	106	16	355	36	713	892	28	1380	467
355 M_	2	20	67.5	79.5	12	355	36	713	920	28	1370	397
355 M_	4	28	90	106	16	355	36	713	920	28	1440	467
355 M_	6-8	28	90	106	16	355	36	713	892	28	1440	467
355 L_	2	20	67.5	79.5	12	355	36	713	920	28	1450	397
355 L_	4	28	90	106	16	355	36	713	920	28	1520	467
355 L_	6-8	28	90	106	16	355	36	713	892	28	1520	467
355 LK_	2	20	67.5	79.5	12	355	36	713	920	28	1590	397
355 LK_	4-8	28	90	106	16	355	36	713	920	28	1660	467
400 LK_	2	25	81	95	14	400	45	805	1003	35	1786	438
400 LK_	4-8	28	90	106	16	400	45	805	1003	35	1826	478

Tolerances:

- A,B ISO js 14
- D ISO m6
- F ISO h9
- H 0, -1.0

Above table gives the main dimensions in mm.

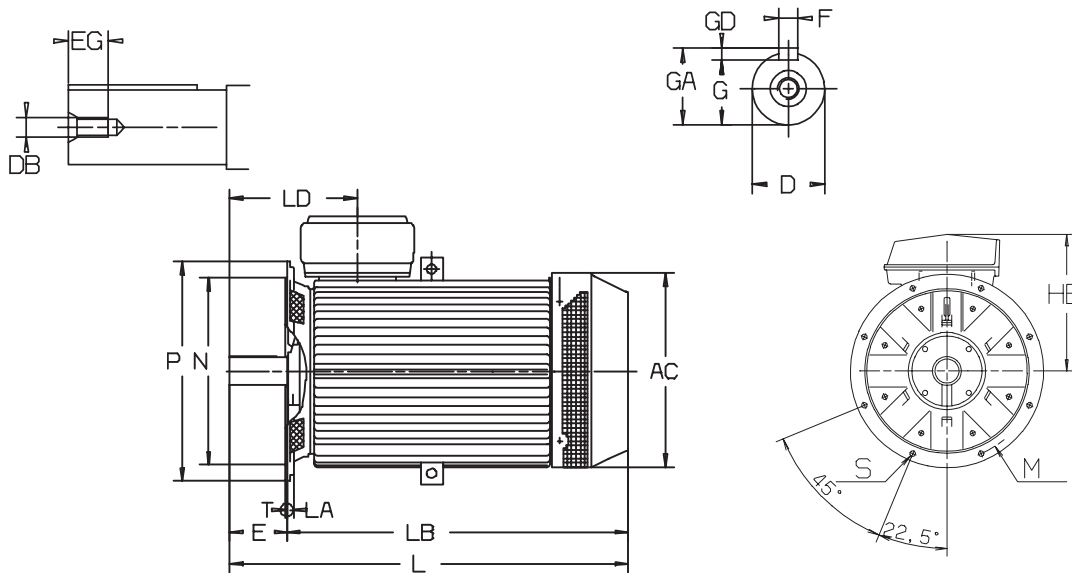
For detailed drawings please see our web-site www.abb.com/motors&drives or contact us.

General purpose open drip proof motors

Sizes 355 - 400

Dimension drawings

Flange-mounted; IM B5 (IM 3001), IM V1 (IM 3011)



M000107

Motor size	Poles	AC	D	DB	E	EG	F	G	GA	GD	HB
355 S_	2	716	75	M20	140	40	20	67.5	79.5	12	565
355 SA	4-8	716	100	M24	210	48	28	90	106	16	537
355 SB,SC	4	716	100	M24	210	48	28	90	106	16	565
355 SB,SC	6-8	716	100	M24	210	48	28	90	106	16	537
355 M_	2	716	75	M20	140	40	20	67.5	79.5	12	565
355 M_	4	716	100	M24	210	48	28	90	106	16	565
355 M_	6-8	716	100	M24	210	48	28	90	106	16	537
355 L_	2	716	75	M20	140	40	20	67.5	79.5	12	565
355 L_	4	716	100	M24	210	48	28	90	106	16	565
355 L_	6-8	716	100	M24	210	48	28	90	106	16	537
355 LK_	2	716	75	M20	140	40	20	67.5	79.5	12	565
355 LK_	4-8	716	100	M24	210	48	28	90	106	16	565
400 LK_	2	810	90	M24	170	48	25	81	95	14	565
400 LK_	4-8	810	100	M24	210	48	28	90	106	16	565

Motor size	Poles	L	LA	LB	LD	M	N	P	S	T
355 S_	2	1310	25	1170	395	740	680	800	23	6
355 SA	4-8	1380	25	1170	465	740	680	800	23	6
355 SB,SC	4	1380	25	1170	465	740	680	800	23	6
355 SB,SC	6-8	1380	25	1170	465	740	680	800	23	6
355 M_	2	1370	25	1230	395	740	680	800	23	6
355 M_	4	1440	25	1230	465	740	680	800	23	6
355 M_	6-8	1440	25	1230	465	740	680	800	23	6
355 L_	2	1450	25	1310	395	740	680	800	23	6
355 L_	4	1520	25	1310	465	740	680	800	23	6
355 L_	6-8	1520	25	1310	465	740	680	800	23	6
355 LK_	2	1590	25	1450	395	740	680	800	23	6
355 LK_	4-8	1660	25	1450	465	740	680	800	23	6
400 LK_	2	1786	28	1616	438	940	880	1000	28	6
400 LK_	4-8	1826	28	1616	478	940	880	1000	28	6

Tolerances:

D ISO m6
F ISO h9
N ISO js6

Above table gives the main dimensions in mm.

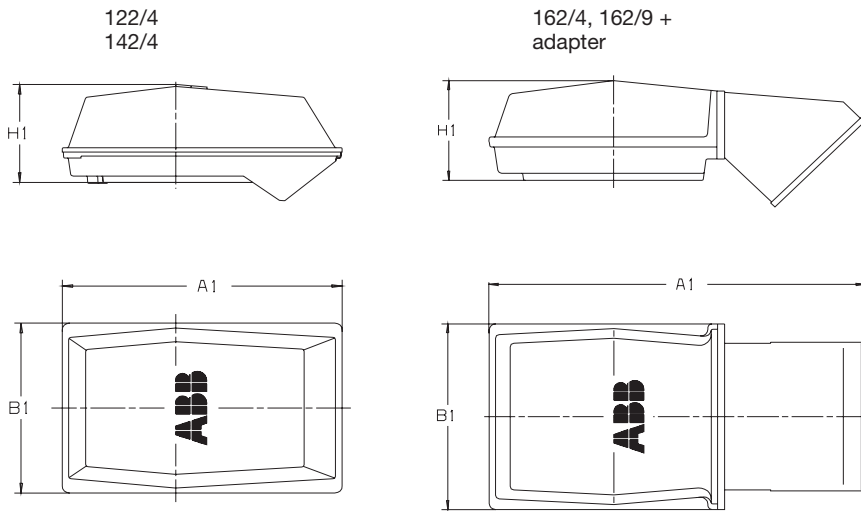
For detailed drawings please see our web-site www.abb.com/motors&drives or contact us.

General purpose open drip proof motors

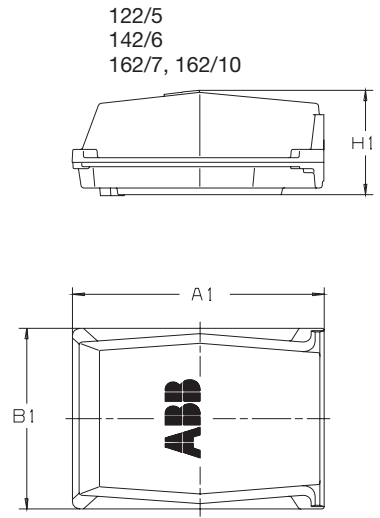
Dimension drawings

Terminal box in standard design
with 6 terminals

Top-mounted terminal box:



Side-mounted terminal box:



M000080

Terminal box type	Motor size	A1	B1	H1
-------------------	------------	----	----	----

Top-mounted terminal box:

122/4	280	455	280	177
142/4	315 - 355	536	349	197
162/4, 162/9 + Adapter	315 - 400	787	410	226

Side-mounted terminal box:

122/5	280	383	280	180
142/6	315 - 355	426	347	201
162/7, 162/10	315 - 400	508	412	226

Further details on terminal boxes on earlier pages.
For motor dimensions please see dimension drawings on earlier pages.

5

Rating plate

The rating plate is in table form giving values for speed, current and power factor for six voltages.

ABB Oy, Motors Vaasa, Finland						
3~ Motor M2FA 315 MB 4 B3						
IEC 315 S/M 80						
S1				No. 0320-010119452		
				Ins.cl. F		IP 23 S
V	Hz	kW	r/min	▲	cosφ	Duty
690 Y	50	250	1481	261	0,83	S1
400 D	50	250	1481	452	0,83	S1
660 Y	50	250	1479	271	0,86	S1
380 D	50	250	1479	470	0,86	S1
415 D	50	250	1482	441	0,83	S1
440 D	60	287	1779	460	0,86	S1
Prod. code 3GBA313220-ADD						
				Nmax		r/min
6319/C3		6316/C3				850 kg
				ABB		IEC 60034-1

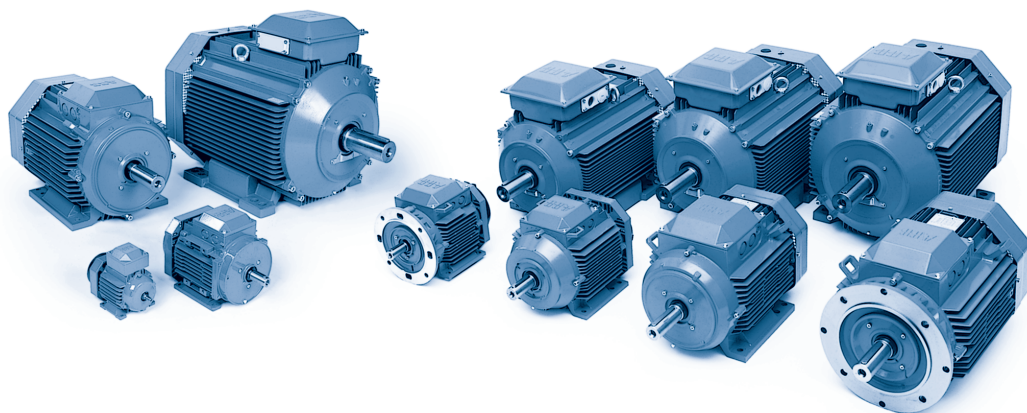
M000109

General purpose open drip proof motors in brief, basic design

Motor frame size		280	315	355	400
Stator	Material Paint colour shade Paint thickness	Profile-pressed sheet steel Blue, Munsell 8B 4.5/3.25 / NCS 4822-B05G / RAL 5014 Two-pack epoxy paint, thickness $\geq 70 \mu\text{m}$			
Bearing end shields	Material Paint colour shade Paint thickness	Cast iron GG 20/GRS 200 Blue, Munsell 8B 4.5/3.25 / NCS 4822-B05G / RAL 5014 Two-pack epoxy paint, thickness $\geq 70 \mu\text{m}$			
Bearings	D-end 2-pole 4-12 poles	6316/C4 6319/C3	6316/C4 6319/C4	on request 6322/C3	on request 6322/C3
	N-end 2-pole 4-12 poles	6316/C4 6316/C3	6316/C4 6316/C3	on request 6319/C3	on request 6319/C3
Axially-locked bearings	Inner bearing cover	As standard, locked at D-end			
Bearing seal		V-ring as standard, radial seal on request			
Lubrication		Regreasing nipples, M10x1 Grease for bearing temperatures -30°C to $+120^{\circ}\text{C}$			
Rating plate		Stainless steel, with individual serial number			
SPM-nipples		On request			
Terminal box	Frame material Cover material Cover screw material	Cast iron GG 15 / GRS 150 Cast iron GG 15 / GRS 150 Steel 5G, coated with zinc and yellow chromated			
Connections	Cable 2 - 4 pole 6 pole	2 x M63 2 x M63	2 x Ø50/80 2 x Ø60	2 x Ø80 2 x Ø60/80	
	Terminals	6 terminals for connection with cable lugs (not included)			
Fan	Material	Siluminium			
Fan cover	Material Paint colour shade Paint thickness	Sheet steel Blue, Munsell 8B 4.5/3.25 / NCS 4822-B05G / RAL 5014 Two-pack epoxy polyester paint, thickness $\geq 80 \mu\text{m}$			
Stator winding	Material Insulation	Copper Insulation class F; temperature rise class B unless otherwise stated.			
	Winding protection	PTC-thermistors 150°C , 3 in series, as standard			
Rotor winding	Material	Pressure die-cast aluminium			
Balancing method		Half key balancing as standard			
Key way		Closed key way			
Heating elements	On request	50 W	2x50 W	2x65 W	2x65 W
Drain holes		As standard, open on delivery			
Enclosure		IP 23S			
Cooling method		IC 01			

General Purpose Global Motors

Totally enclosed squirrel cage three phase low voltage motors,
Sizes 63 - 280, 0.12 to 75 kW



www.abb.com/motors&drives

- > Motors
- > Low voltage motors
- > General purpose motors

Features.....	166
Mechanical design	167
Ordering information.....	175
Technical data.....	176
Variant codes	180
Dimension drawings.....	184
Rating plates.....	185
Global motors in brief	187

Global motors

Features

The global economy connects multinational companies with engineering and production in many countries around the world.

Once a motor is specified and put into use, production equipment, including the motors, may need to move from one country to another. Very often the new country will have different voltage, efficiency and safety label requirements.

The new Global motor from ABB puts an end to the confusion and waste. ABB has designed a motor that is multi-labeled and certified for use virtually anywhere. The motors are harmonized to IEC - GENELEC power and frame size standards and are readily available from any of the ABB central stock locations in Europe, Asia and/or America.

Certified for global use

Global motors are certified, labeled and will fulfill requirements for global use:

CE	European safety certified
EFF1	European Community efficiency classification, highest class EFF1
CSA	Canadian safety certified
EEV	Canadian Energy Efficient certified
UR	US safety certified
EPAct	US Energy Efficiency certified

Note: A product that bears the UR logo is approved by Underwriter's Laboratories. This ensures that the product can be used in any machine or application that will be subject to UL certification – without additional testing.

Certificates for ABB Global motors can be found on www.ul.com pages.



EPAct requirements for importing products for the U.S.

Motors, rated from 1 to 200 horsepower (0.7 kW to 150 kW), for use within the United States are subject to EPAct legislation. Requirements defined by EPAct include:

- Foot mounted and foot-flange mounted
- 2, 4 and 6 pole motors
- 230 and 460 V \pm 10% 60 Hz
- Outputs defined, no derating allowed
- Efficiency must meet NEMA minimum efficiency requirements
- Ambient temperature 40°C

Flange mounted motors will be delivered as global motors however the CC number cannot be printed on the rating plate.

Motors with voltage rating outside 230 and 460 V \pm 10% 60 Hz will be delivered as global motors however the CC number cannot be printed on the rating plate.

CC number

Motors covered by EPAct must have the EPAct compliance number stamped on the rating plate. The number for all ABB low voltage motors is CC031A.

The number is mandatory for all motors included in the EPAct scope and will be checked by US Customs inspectors before clearance into the United States.

Voltage

The Global motors can be delivered for all voltages in the range from 200 up to 600 V 60 Hz. The most common voltage in the U.S. is 460 V 60 Hz, however 480 volt systems are frequently specified. In the case of a 480 volt system with a variable frequency drive, the output of the drive to the motor will be 460 volts, therefore allowing a standard motor to be used.

Mechanical design

Stator

Stator framework, bearing shields and feet are made of an extra corrosion resistant aluminum alloy with low copper content with the following exceptions:

M3AA 250-280 has feet and D-end shield of cast iron. M3AA 250-280 2-pole, have also N-end shield of cast iron.

The flange bearing shields of sizes 180 to 280 are made of cast iron.

Drain holes

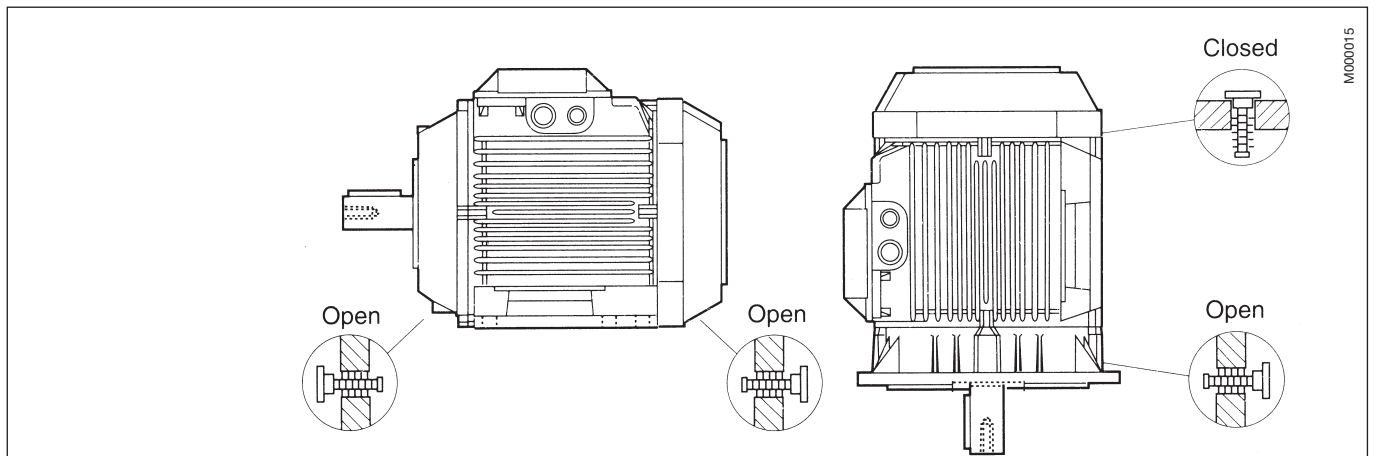
Motors that will be operated in very humid or wet environments and especially under intermittent duty should be provided with drain holes. The appropriate IM designation, such as IM 3031, is specified on the basis of the method of mounting the motor.

Motors are provided with closable plastic plugs in the drain holes (see diagram below). The plugs will be open on delivery. When mounting the motors it should be ensured that the drain holes face downwards. In the case of vertical mounting, the upper plug must be

hammered home completely. In very dusty environments both plugs should be hammered home.

Size 63 is supplied as standard with drain holes on D-end while sizes 71 to 280 are supplied with drain holes both on D-end and N-end.

When mounting arrangement differs from foot mounted IM B3, please mention variant code 066 when ordering. See variant codes 065, 066 and 076 under the heading "Drain holes".



Terminal box

Sizes 63 to 180

The terminal box is made of aluminum alloy and is located on top of the stator. The lower part of the box is integrated with the stator. It is provided with 2 knockout openings on each side. Sizes 160-180 also have a third smaller opening. Cable glands are not included.

Sizes 200 to 280

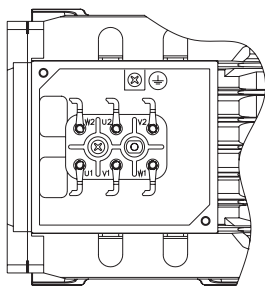
The terminal box and cover are made of deep drawn steel and mounted on top of the stator. The box is bolted to the stator and is not rotatable. The size of the box is the same for all motors.

In the basic design the terminal box is provided with two FL 13 flange openings, one on each side. The opening on the right side, seen from the D-end, is supplied with a flange with two holes for M40 cable glands. On delivery the holes are sealed by means of plastic plugs. Cable glands are not supplied. The opening on the other side is provided with a cover flange.

The motors can also be provided with an extra large terminal box, standard for voltage code S and frame size 280. See variant code 019 under the heading

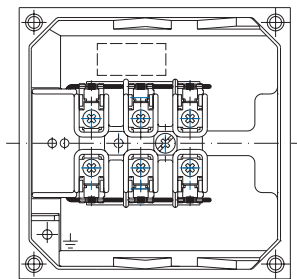
“Terminal box”. This will increase the dimension HD by 32 mm. The box is supplied with two FL 21 openings. The right opening is provided with a flange with two holes for M63 cable glands. The holes are sealed by means of plastic plugs. Cable glands are not supplied. The opening on the other side is provided with a cover flange. The box can also be provided with an FL 13 opening towards the N-end.

When new motors are manufactured the terminal box can be mounted on the left or the right side. See variant codes 021 and 180 under the heading “Terminal box”.



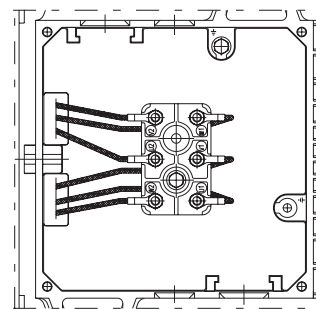
M000016

Terminal box size 63-80.



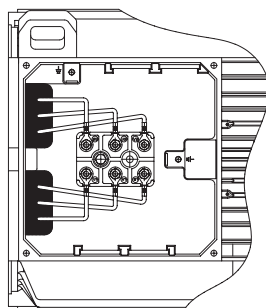
M000017

Terminal box size 90-100.



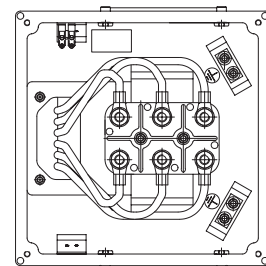
M000018

Terminal box size 112-132.



M000019

Terminal box size 160-180



M000020

Terminal box size 200-280.

Connections

The terminal block is provided with 6 terminals for connecting Cu-cable. The terminals are marked in accordance with IEC 60034-8.

Connection openings

Motor size	Opening	Metric cable entry	Method of connection	Terminal bolt size	Maximum connectable Cu-cable area, mm ²
63	Knock-out opening	1 x M16 x 1.5 1 x Pg 11	Screw terminal	M4	2.5
71-80	Knock-out opening	2 x M20 x 1.5 2 x Pg 16	Screw terminal	M4	4
90-100	Knock-out opening	2 x (M25 + M20)	Screw terminal	M4	6
112-132	Knock-out opening	2 x (M25 + M20)	Cable lug	M5	10
160-180	Knock-out opening	2 x (2 x M40 + M16)	Cable lug	M6	35
200-250 ¹⁾	2 x FL 13	1 x (2 x M40 + M16)	Cable lug	M10	70
280	2 x FL 21	1 x (2 x M63 + M16)	Cable lug	M10	70

Bearings

The motors are provided with bearings according to the tables below.

Greater axial forces can be tolerated if the motors are provided with angular contact ball bearings. Note that

in such cases the axial force must only operate in one direction.

Motor versions with roller bearings tolerate greater radial forces.

Basic version with deep groove ball bearings

Basic design motors			
Motor size		Foot- and flange-mounted motor	
		D-end	N-end
63		6202-2Z/C3	6201-2Z/C3
71		6203-2Z/C3	6202-2Z/C3
80		6204-2Z/C3	6203-2Z/C3
90		6205-2Z/C3	6204-2Z/C3
100		6306-2Z/C3	6205-2Z/C3
112 ²⁾	short	6206-2Z/C3	6205-2Z/C3
112 ²⁾	long	6206-2Z/C3	6206-2Z/C3
132 ²⁾	short	6208-2Z/C3	6206-2Z/C3
132 ²⁾	long	6208-2Z/C3	6208-2Z/C3
160		6309-2Z/C3	6209-2Z/C3
180		6310-2Z/C3	6209-2Z/C3
200		6312/C3	6210/C3
225		6313/C3	6210/C3
225		6313/C3	6212/C3
250		6315/C3	6212/C3
250		6315/C3	6213/C3
280	2-pole	6315/C3	6213/C3
280	4-8 pole	6316/C3	6213/C3

²⁾ short: 132: SA-2, S-4
long: remaining versions

Alternative designs:

Version with roller bearings

It is recommended to use roller bearings in belt drives for motor sizes 160 - 280.

See variant code 037 under the heading "Bearings and lubrication".

Motor size		D-end	N-end
90		NU 205	-
100		NU 306	-
160		NU 309 ECP	-
180		NU 310 ECP	-
200		NU 312 ECP	-
225		NU 313 ECP	-
250		NU 315 ECP	-
280	2-pole	NU 315 ECP	-
280	4-8 pole	NU 316 ECP	-

Version with angular contact ball bearings

See variant codes 058 and 059 under the heading "Bearings and lubrication".

Motor size		D-end 058	N-end 059
90		7205 B	7204 B
100		7306 B	7205 B
112 ¹⁾	short	7206 BE	7205 BE
112 ¹⁾	long	7206 BE	7206 BE
132 ¹⁾	short	7208 BE	7206 BE
132 ¹⁾	long	7208 BE	7208 BE
160		7309 BE	7209 BE
180		7310 BE	7209 BE
200		7312 BE	7210 BE
225		7313 BE	7212 BE
250		7315 BE	7213 BE
280	2-pole	7315 BE	7213 BE
280	4-8 pole	7316 BE	7213 BE

¹⁾ short: 132: SA-2, S-4
long: remaining versions

Transport locking

Motors provided with roller bearings or angular contact ball bearings are fitted with a transport lock to prevent damage to the bearings, due to vibration, during transport.

Axially-locked bearings

The table below shows which of the motor's bearings are axially locked in the bearing seat. In motor sizes 56 to 80 the locking is done by an inner bearing circlip, in motor sizes 90 to 280 by an inner bearing cover.

See also variant code 042 under the heading "Bearings and lubrication".

Motor size	Foot-mounted motors	Flange-mounted motors	
		Large flange	Small flange
63	On request at D-end	On request at D-end	On request at D-end
71-80	On request at D-end	D-end	On request at D-end
90-100	D-end ¹⁾	D-end ¹⁾	D-end ¹⁾
112-132	D-end ¹⁾	D-end	D-end
160-280	D-end	D-end	-

¹⁾ A spring-washer at the N-end presses the rotor toward the D-end.

Lubrication

The motors are delivered with bearing grease for use at normal temperatures in dry or humid environments. The motors are lubricated for ambient temperatures 40°C and in some cases even above 40°C, see table 1 next page.

Motor sizes 63-180 are provided with shielded bearings. On request, motor sizes 90 to 180 are provided with grease nipples for regreasing, see variant code 041 under the heading "Bearings and lubrications".

Motor sizes 200-280 are provided with grease nipples for re-greasing as standard.

The lubrication interval L_1 , suitable for relubricated bearings, is defined as the number of operating hours after which 99 per cent of the bearings are adequately lubricated.

Lubrication intervals and grease quantities are specified on a plate on the motor as well as in the manual supplied with the motor.

The grease lifetime L_{10} , suitable for permanent lubricated bearings, is defined as the number of operating hours after which 90 per cent of the bearings are adequately lubricated. 50 per cent of the bearings achieve two times this figure. Maximum lifetime, however, should be regarded as 40000 hours.

In case of high ambient temperatures the shaft loads must be reduced compared to permissible loadings in the table (see pages 172 to 175), please contact ABB.

Table 1: Grease lifetime L_{10} in deep groove ball bearings of type 2Z in horizontally mounted motors in continuous running

Motor	r/min	Ambient temperature and rated output											
		25 °C		40 °C		50 °C		60 °C		70 °C		80 °C	
		Basic	High	Basic	High	Basic	High	Basic	High	Basic	High	Basic	High
63		40000	40000	40000	40000	40000	40000	40000	40000	40000	40000	40000	
71	3000	40000	40000	40000	40000	40000	40000	40000	40000	40000	40000	40000	27000
	1500												37000
80	3000	40000	40000	40000	40000	40000	40000	40000	30000	24000	19000		
	1500								40000	40000	29000	40000	
90	3000	40000	40000	40000	40000	40000	40000	30000	24000	19000	15000		
	1500								40000	24000	40000	40000	
100	3000	40000	40000	40000	40000	40000	40000	35000	22000	27000	14000	17000	
	1500							21000	40000	33000		21000	
112	3000	40000	40000	40000	40000	40000	40000	30000	26000	17000			
	1500								27000				
132	3000	40000	40000	40000	40000	40000	40000	24000	22000	40000	35000		
	1500							40000	40000				
160	3000	40000	40000	40000	40000	31000	26000	17000	14000	9000			
	1500					40000	40000	25000	37000				
180	3000	40000	38000	38000	34000	34000	29000	20000	15000	10000	8000		
	1500		40000	40000	38000	40000	20000	28000		15000			

In vertically mounted motors, the grease lifetime is half the figures above.
 For applications corresponding to the empty cells in the table, please contact ABB. These applications can imply reduced lifetime for bearings and winding.

Lubrication intervals

ABB follows the L1-principle in defining lubrication interval. That means that 99% of the motors are sure to make the interval time. The lubrication intervals can also be calculated according to the L10-principle, which are normally doubled

compared to L1-values. Values available from ABB at request.

The table below gives lubrication intervals according to the L1-principle for different speeds. The values are valid for horizontal mounted motors (B3), with about

80°C bearing temperature and using good quality grease with lithium complex soap and with mineral or PAO-oil.

For more information, see ABB's Low Voltage Motors Manual.

Frame size	Amount of grease g	3600 r/min	3000 r/min	1800 r/min	1500 r/min
------------	--------------------	------------	------------	------------	------------

Ball bearings:		lubrication intervals in duty hours			
180	30	6000	8000	13500	16000
200	40	4000	6000	11000	13000
225	50	3000	5000	10000	12500
250	60	2500	4000	9000	11500
280	35	2000	3500	-	-
280	70	-	-	8000	10500

Frame size	Amount of grease g	3600 r/min	3000 r/min	1800 r/min	1500 r/min
------------	--------------------	------------	------------	------------	------------

Roller bearings:		lubrication intervals in duty hours			
180	30	3000	4000	7000	8000
200	40	2000	3000	5500	6500
225	50	1500	2500	5000	6000
250	60	1300	2200	4500	5700
280	35	1000	1800	-	-
280	70	-	-	4000	5300

Permissible loading on shaft

Pulley diameter

When the desired bearing life has been determined the minimum permissible pulley diameter can be calculated with FR, according to the formula:

$$D = \frac{1.9 \cdot 10^7 \cdot K \cdot P}{n \cdot F_R}$$

Bearing life

The nominal life is defined as the number of hours that are attained or exceeded by 90% of identical bearings, in a large test series, under certain specified conditions. 50% of the bearings attain a life of as much as 5 times this figure.

The life of bearings is dependent on various factors such as bearing load, motor speed, operating temperature and the purity of the grease. The permissible radial and axial loading for different motor sizes is shown in the table on the following pages.

The table is valid for 50 Hz. For 60 Hz and/or some other bearing life than specified in the table the values are changed according to the table on the right.

The table values assume the occurrence of only radial

where:

D = diameter of pulley, mm

P = power requirement, kW

n = motor speed, r/min.

K = belt tension factor, dependent on belt type and type of duty. A common value for V-belts is K = 2.5

F_R = permissible radial force according to the tables

or axial forces. In the case of simultaneous radial and axial forces information can be supplied on request. It is assumed that the radial force is applied at the end of the motor shaft.

Permissible force at changed bearing life or supply frequency

Bearing life in hours at		Permissible force, as percentage of value in tables
50 Hz	60 Hz	
25,000	21,000	100% of value for 25,000 hours
40,000	33,000	100% of value for 40,000 hours
63,000	52,000	86% of value for 40,000 hours
80,000	67,000	80% of value for 40,000 hours

Permissible radial forces

The table at right shows the permissible radial force in Newton assuming zero axial force.

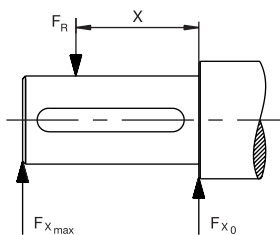
Permissible loads of simultaneous radial and axial forces will be supplied on request.

The bearing life, L₁₀, is calculated according to SKF's theory on bearing life L_{10_{aah}}, which also takes the purity of the grease into consideration. An adequate lubrication is a necessary prerequisite for the table at right.

If the radial force is applied between points X₀ and X_{max}, the permissible force F_R can be calculated from the following formula:

$$F_R = F_{X0} - \frac{X}{E} (F_{X0} - F_{Xmax})$$

E = length of shaft extension in basic version.



Motor size	No. of poles	Length of shaft extension E (mm)	Ball bearings			
			Basic design with deep groove ball bearings			
			25,000 hrs		40,000 hrs	
FX ₀ (N)	FX _{max} (N)	FX ₀ (N)	FX _{max} (N)			
63	2	23	490	400	490	400
	4	23	490	400	490	400
71	2	30	680	570	680	570
	4	30	680	570	680	570
80	2	40	630	750	930	750
	4	40	930	750	930	750
90	2	50	1010	810	1010	810
	4	50	1010	810	1010	810
	8	50	1010	810	1010	810
100 ¹⁾	2	60	2280	1800	2280	1800
	4	60	2280	1800	2280	1800

¹⁾ Basic design with 63-series bearings at the D-end.

Permissible radial forces Motor sizes 112 to 180

Motor size	No. of poles	Length of shaft extension E (mm)	Ball bearings				Roller bearings							
			Basic design with deep groove ball bearings				Alternative design with 63-series bearings							
			25,000 hrs		40,000 hrs		25,000 hrs		40,000 hrs		Alternative design with roller bearings			
FX ₀ (N)	FX _{max} (N)	FX ₀ (N)	FX _{max} (N)	FX ₀ (N)	FX _{max} (N)	FX ₀ (N)	FX _{max} (N)	FX ₀ (N)	FX _{max} (N)	FX ₀ (N)	FX _{max} (N)			
112 M	2	60	1800	1420	1620	1280	2160	1700	2160	1700				
	4	60	1790	1410	1590	1250	2160	1700	2160	1700				
132 SA	2	80	3020	2360	2740	2140	4070	3180	3670	2870				
132 SB	2	80	3020	2360	2730	2130	4060	3170	3670	2870				
132 S	4	80	3120	2440	2790	2180	4090	3200	3830	2990				
132 M	4	80	3080	2410	2750	2150	4100	3200	3780	2950				
160 MA	2	110	4470	3500	4470	3500					4470	3500	4470	3500
160 M	2	110	4470	3500	4470	3500					4470	3500	4470	3500
	4	110	4470	3500	4470	3500					4470	3500	4470	3500
160 L	2	110	4470	3500	4470	3500					4470	3500	4470	3500
	4	110	4470	3500	4470	3500					4470	3500	4470	3500
180 M	2	110	6900	5550	6360	5110					7338	5900	7340	5900
	4	110	7100	5710	6470	5200					7338	5900	7340	5900

Permissible radial forces Motor sizes 180 to 280

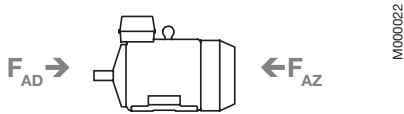
Motor size	No. of poles	Length of shaft extension E (mm)	Ball bearings				Roller bearings					
			Basic design with deep groove ball bearings				Alternative design with roller bearings					
			25,000 hrs		40,000 hrs		25,000 hrs		40,000 hrs			
FX ₀ (N)	FX _{max} (N)	FX ₀ (N)	FX _{max} (N)	FX ₀ (N)	FX _{max} (N)	FX ₀ (N)	FX _{max} (N)	FX ₀ (N)	FX _{max} (N)	FX ₀ (N)	FX _{max} (N)	
180 L	4	110	7050	5670	6410	5150	7340	5900	7340	5900		
200 MLB	2	110	4930	4060	4360	3590	9460	7790	9460	7790		
	4	110	5290	4360	4630	3810	9460	7790	9460	7790		
200 MLC	2	110	4920	4050	4360	3590	9460	7790	9460	7790		
225 SMB	4	140	5750	4870	5030	4260	9810	8300	9810	8300		
225 SMC	2	110	5370	4510	4750	3990	10600	8900	10600	8900		
	4	140	5720	4840	5000	4230	9810	8300	9810	8300		
250 SMB	2	140	6960	5610	6150	4960	11290	9100	11290	9100		
	4	140	7620	6140	6680	5380	14330	11550	14330	11550		
250 SMC	2	140	6960	5610	6150	4960	11290	9100	11290	9100		
280 SMB	4	140	7510	6100	6590	5350	17850	14500	16060	13050		
280 SMC	4	140	7510	6100	6590	5350	17850	14500	16060	13050		

Permissible axial forces

The following tables give the permissible axial forces in Newton, assuming zero radial force. The values are based on normal conditions at 50 Hz with standard bearings and calculated bearing lives of 20,000 and 40,000 hours.

At 60 Hz the values are to be reduced by 10%.

Mounting arrangement IM B3

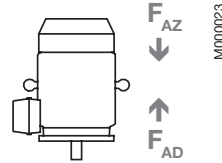


Motor size	20,000 hours				40,000 hours			
	2-pole		4-pole		2-pole		4-pole	
	F _{AD} N	F _{AZ} N	F _{AD} N	F _{AZ} N	F _{AD} N	F _{AZ} N	F _{AD} N	F _{AZ} N
63	790	390	865	465	720	320	780	380
71	985	485	1070	570	900	400	970	470
80	1305	705	1420	820	1185	585	1285	685
90	1360	930	1490	1070	1225	800	1335	915
100	2805	1945	3075	2215	2540	1680	2760	1900
112 M	1500	1500	1600	1600	1320	1320	1390	1390
132 SA	2570	2570	-	-	2260	2260	-	-
132 SB	2570	2570	-	-	2260	2260	-	-
132 S	-	-	2770	2770	-	-	2440	2440
132 M	-	-	2750	2750	-	-	2420	2420
132 MA	-	-	-	-	-	-	-	-
160 MA	4730	4730	-	-	4220	4220	-	-
160 M	4730	4730	5230	5230	4220	4220	4640	4640
160 L	5240	5240	5220	5220	4650	4650	4630	4630
180 M	4660	4660	4950	4950	4250	4250	4500	4500
180 L	-	-	4870	4870	-	-	4390	4390
200 MLB	3050	3050	3850	3850	2430	2430	3050	3050
200 MLC	3050	3050	-	-	2430	2430	-	-
225 SMB	3440	3440	4340	4340	2730	2730	3440	3440
225 SMC	3440	3440	4340	4340	2730	2730	3440	3440
250 SMB	4180	4180	5260	5260	3320	3320	4180	4180
250 SMC	4180	4180	5260	5260	3320	3320	4180	4180
280 SMB	5000	5000	6100	6100	4400	4400	5300	5300
280 SMC	5000	5000	6100	6100	4400	4400	5300	5300

For two-speed motors, the values are to be based on the higher speed. The permissible loads of simultaneous radial and axial forces will be supplied on request.

Given axial forces F_{AD}, assumes D-bearing locked by means of locking ring.

Mounting arrangement IM V1



Motor size	20,000 hours				40,000 hours			
	2-pole		4-pole		2-pole		4-pole	
	F _{AD} N	F _{AZ} N	F _{AD} N	F _{AZ} N	F _{AD} N	F _{AZ} N	F _{AD} N	F _{AZ} N
63	790	380	875	455	725	310	790	370
71	998	470	1085	555	910	385	985	455
80	1320	685	1445	790	1200	565	1310	655
90	1390	900	1525	1035	1255	770	1370	880
100	2855	1890	3135	2155	3320	2340	3420	2425
112 M	2290	2170	2490	2330	2680	2510	2770	2590
132 SA	3550	3370	-	-	-	-	-	-
132 SB	3560	3360	-	-	-	-	-	-
132 S	-	-	3910	3630	4160	3880	4320	3990
132 M	-	-	3910	3590	-	-	4330	3930
132 MA	-	-	-	-	4180	3850	-	-
160 MA	4940	4520	-	-	-	-	5520	4960
160 M	4960	4500	5500	4960	5540	4900	5540	4900
160 L	5520	4960	5560	4880	5420	4680	5170	4280
180 M	4990	4330	5400	4500	-	-	-	-
180 L	-	-	5390	4350	5770	4630	5930	4810
200 MLB	3600	2500	4580	3120	5280	3530	5720	3980
200 MLC	3600	2500	-	-	5280	3530	-	-
225 SMB	4140	2740	5230	3440	6030	3900	6530	4400
225 SMC	4140	2740	5230	3440	6030	3900	6530	4400
250 SMB	5020	3330	6380	4150	7440	4610	8050	5210
250 SMC	5020	3330	6380	4150	7440	4610	8050	5210
280 SMB	5950	4050	7380	5010	-	-	-	-

Ordering information

When placing an order, please state the following minimum data in the order, as in the example.

The product code of the motor is composed in accordance with the following example.

Type designation	M3AA 112 M
Pole number	4
Mounting arrangement (IM-code)	IM B3 (IM 1001)
Rated output	4 kW
Product code	112022-ADC
Variant codes if needed	

Motor size

A	B	C	D, E, F	
M3AA	112 M	3GAA 112 022	- AD CG2, 122, 043, etc.	
		1 2 3 4 5 6 7 8 9 10 11 12 13 14...		A Motor type B Motor size C Product code D Code for mounting arrangement E Voltage and frequency code F Generation code followed by variant codes

Explanation of the product code

Positions 1 to 4

3GAA/3GVA =

Totally enclosed motor with Aluminum stator frame

Position 4

Type of rotor

A = Squirrel cage rotor

Positions 5 and 6

IEC size

06 = 63	16 = 160
07 = 71	18 = 180
08 = 80	20 = 200
09 = 90	22 = 225
10 = 100	25 = 250
11 = 112	28 = 280
13 = 132	

Position 7

Pole pairs

1 = 2 poles
2 = 4 poles

Positions 8 to 10

Running number

Position 11

- (dash)

Position 12

Mounting arrangement

A = Foot-mounted motor

B = Flange-mounted motor.

Large flange with clearance holes.

Flange motors come without CC-number in the rating plate due to American legislation.

H = Foot- and flange-mounted motor.

Large flange with clearance holes.

Must be ordered using variant code 009.

Position 13

Voltage and frequency: See tables below

Position 14

Version A,B,C, CG2... =

Generation code followed by variant codes

The bullets in the product code description:

Voltage and frequency code

Frame sizes

63-100

S

200-240 VD 50 Hz
380-420 VY 50 Hz
440-480 VY 60 Hz

D

380-420 VD 50 Hz
440-480 VD 60 Hz
660-690 VY 50 Hz

Frame sizes

160-280

D

380 VD 50 Hz
400 VD 50 Hz
415 VD 50 Hz
660 VY 50 Hz
690 VY 50 Hz
460 VD 60 Hz

Other voltages available on request.

Global Motors acc. to EFF1, EPEAct, CSA, EEV, UR

Technical data

Totally enclosed squirrel cage three phase motors, aluminum frame

Power Hp	Power kW	Motor type	Product code	Speed r/min	Efficiency		Power factor cos φ	Current		Torque			Moment of inertia kgm ²	Weight		Sound pressure level Lp dB(A)	
					acc. to IEC 100%	75%		I _N A	I _s A	Nm	T _s Nm	T _{max} Nm		kg	lbs		
3000 r/min (2-pole) 400 V 50 Hz																	
0.25	0.18	M3VA 63 A	3GVA 061 391-••	2820	73.7	70.6	0.64	0.56	4.2	0.62	3.5	3.1	0.00013	3.9	8.6	³⁾	
0.35	0.25	M3VA 63 B	3GVA 061 392-••	2810	77.5	75.8	0.71	0.66	4.5	0.87	3.6	3.3	0.00016	4.4	9.7	³⁾	
0.50	0.37	M3VA 71 A	3GVA 071 391-••	2840	77.1	76.5	0.72	1.00	5.5	1.25	3.8	3.9	0.00040	5.5	12	³⁾	
0.75	0.55	M3VA 71 B	3GVA 071 392-••	2830	79.2	78.2	0.76	1.35	5.7	1.86	3.6	3.7	0.00045	6.5	14	³⁾	
1	0.75	M3VA 80 A	3GVA 081 731-••	2860	79.2	78.6	0.81	1.7	7.1	2.5	4.5	3.7	0.00072	9	20	³⁾	
1.5	1.1	M3VA 80 C	3GVA 081 773-••	2860	82.5	82.7	0.88	2.20	8	3.7	4.6	3.8	0.00109	12	25	³⁾	
2	1.5	M3AA 90 L	3GAA 091 312-••CG2	2900	85.9	86.5	0.87	3.00	7.7	5.0	2.7	3.6	0.0024	16	35	³⁾	
3	¹⁾ 2.2	M3AA 90 LB	3GAA 091 313-••CG2	2880	85.8	87.1	0.87	4.40	7.4	7.3	3.0	3.6	0.0027	18	40	³⁾	
4	3	M3AA 100 LB	3GAA 101 312-••CG2	2920	87.6	87.5	0.86	5.90	10	9.9	3.9	4.9	0.0005	25	55	³⁾	
5	4	M3AA 112 M	3GAA 111 022-••CG2	2860	87.7	89.4	0.93	7.1	7.5	13.4	2.6	3.4	0.012	33	73	63	
7.5	5.5	M3AA 132 SA	3GAA 131 023-••CG2	2900	88.6	88.9	0.88	10.3	9.9	18.1	4.0	4.5	0.016	42	93	69	
10	7.5	M3AA 132 SB	3GAA 131 024-••CG2	2915	90.9	91.3	0.90	13.3	11.0	24.6	5.1	5.2	0.022	56	123	69	
15	11	M3AA 160 MA	3GAA 161 121-••CG2	2935	91.5	91.9	0.90	19.2	7.4	36	2.7	2.9	0.047	84	185	69	
20	15	M3AA 160 M	3GAA 161 122-••CG2	2940	92.3	92.7	0.90	26	8.0	49	3.0	3.3	0.053	94	207	69	
25	18.5	M3AA 160 L	3GAA 161 123-••CG2	2935	93.1	93.6	0.89	32.5	8.3	60	3.1	3.3	0.058	100	220	69	
30	22	M3AA 180 M	3GAA 181 121-••CG2	2945	93.2	93.8	0.91	37.5	7.1	71	2.7	2.9	0.092	137	302	70	
40	30	M3AA 200 MLB	3GAA 201 021-••CG2	2950	93.0	93.3	0.90	52	7.9	97	3.0	2.9	0.18	200	441	72	
50	37	M3AA 200 MLC	3GAA 201 022-••CG2	2960	93.9	94.1	0.89	64	8.8	120	3.6	3.3	0.19	205	452	72	
60	45	M3AA 225 SMC	3GAA 221 021-••CG2	2970	94.4	94.4	0.88	78	6.9	145	2.3	2.9	0.29	260	573	74	
75	55	M3AA 250 SMB	3GAA 251 021-••CG2	2970	94.1	94.1	0.91	93	7.5	177	2.5	3.0	0.57	330	727	75	
100	²⁾ 75	M3AA 250 SMC	3GAA 251 022-••CG2	2965	94.8	95.0	0.93	124	7.7	242	2.3	2.8	0.59	345	760	75	
100	75	M3AA 280 SMC	3GAA 281 021-••CG2	2965	94.8	95.0	0.93	124	7.7	242	2.3	2.8	0.6	390	859	75	

EFF1 Efficiency classification is valid for motors from 1.1 kW to 90 kW.

¹⁾ Efficiency class EFF2.

²⁾ High output designs are non-CENELEC harmonized.

³⁾ On request.

Global Motors acc. to EFF1, EPEAct, CSA, EEV, UR

Technical data

Totally enclosed squirrel cage three phase motors, aluminum frame

Power Hp	Motor type	Product code	Speed r/min	Efficiency		Power factor cos φ	Current		Torque			Moment of inertia kgm ²	Weight		Sound pressure level Lp dB(A)
				acc. to IEC 100%	75%		I _N A	I _s A	Nm	T _s Nm	T _{max} Nm		kg	lbs	
1500 r/min (4-pole) 400 V 50 Hz															
0.16	0.12 M3VA 63 A	3GVA 062 391-••	1400	63.7	58.4	0.59	0.46	3.1	0.82	2.6	2.6	0.00019	4	8.8	³⁾
0.25	0.18 M3VA 63 B	3GVA 062 392-••	1380	65.6	62.1	0.64	0.63	3.1	1.25	2.5	2.6	0.00026	4.5	9.9	³⁾
0.35	0.25 M3VA 71 A	3GVA 072 391-••	1410	70.4	69.1	0.71	0.74	4.3	1.71	2.7	2.9	0.00066	5.5	12	³⁾
0.50	0.37 M3VA 71 B	3GVA 072 392-••	1420	74.6	72.1	0.69	1.05	4.4	2.51	2.6	2.8	0.00089	6.5	14	³⁾
0.75	0.55 M3VA 80 A	3GVA 082 391-••	1390	75.3	73.1	0.76	1.40	4.6	3.75	2.6	2.9	0.00125	9.0	20	³⁾
1	0.75 M3VA 80 C	3GVA 082 733-••	1380	82.5	83.2	0.82	1.60	5.6	5.2	4	2.6	0.00194	11	24	³⁾
1.5	1 M3AA 90 L	3GAA 092 312-••CG2	1420	83.9	84.3	0.80	2.40	6.1	7.4	2.9	3.4	0.0043	16	35	³⁾
2	1.5 M3AA 100 LA	3GAA 102 311-••CG2	1440	85.6	85.5	0.82	3.20	6.9	10	2.8	3.4	0.0069	21	46	³⁾
3	¹⁾ 2.2 M3AA 100 LC	3GAA 102 313-••CG2	1450	86.8	86.6	0.77	4.80	8.5	14.5	4.0	4.6	0.009	25	55	³⁾
4	3 M3AA 100LB	3GAA 102 342-••CG2	1450	85.5	85.5	0.84	5.90	7.6	17.2	3.3	3.8	0.0082	25	55	³⁾
5	4 M3AA 112 M	3GAA 112 022-••CG2	1455	88.3	88.6	0.76	8.6	8.5	26.3	3.3	4.3	0.018	34	75	56
7.5	5.5 M3AA 132 S	3GAA 132 023-••CG2	1460	89.3	90.5	0.84	10.6	7.0	36.2	2.2	2.8	0.038	48	106	59
10	7.5 M3AA 132 M	3GAA 132 024-••CG2	1450	90.3	91.0	0.87	14	7.8	49	2.2	3.1	0.048	59	130	59
15	11 M3AA 160 M	3GAA 162 121-••CG2	1470	91.5	92.1	0.83	21	8.1	72	3.4	3.3	0.091	94	207	62
20	15 M3AA 160 L	3GAA 162 122-••CG2	1460	91.3	92.1	0.83	28.5	7.6	98	3.3	3.1	0.102	103	227	62
25	18.5 M3AA 180 M	3GAA 182 121-••CG2	1470	92.5	93.4	0.84	34	6.6	121	2.7	2.8	0.191	141	311	62
30	22 M3AA 180 L	3GAA 182 122-••CG2	1475	93.2	93.9	0.84	41	7.8	143	3.1	3.4	0.225	161	355	62
40	30 M3AA 200 MLB	3GAA 202 021-••CG2	1475	93.7	94.3	0.84	55	8.0	194	4.0	3.1	0.34	205	452	63
50	37 M3AA 225 SMB	3GAA 222 021-••CG2	1480	93.7	94.0	0.85	68	8.1	239	3.9	2.9	0.42	230	507	66
60	45 M3AA 225 SMC	3GAA 222 022-••CG2	1480	94.4	94.8	0.86	80	8.0	291	3.8	3.2	0.49	265	584	66
75	²⁾ 55 M3AA 225 SMD	3GAA 222 023-••CG2	1480	94.5	94.8	0.86	98	8.5	355	4.3	3.8	0.56	290	639	66
75	55 M3AA 250 SMB	3GAA 252 021-••CG2	1480	94.5	94.9	0.87	96	7.4	356	3.0	3.1	0.88	335	738	67
100	²⁾ 75 M3AA 250 SMC	3GAA 252 022-••CG2	1480	95.2	95.6	0.85	135	8.4	484	3.4	5.1	0.95	360	793	66
100	75 M3AA 280 SMB	3GAA 282 021-••CG2	1480	95.2	95.6	0.85	135	8.4	484	3.4	5.1	0.95	405	892	66

EFF1 Efficiency classification is valid for motors from 1.1 kW to 90 kW.

¹⁾ Efficiency class EFF2.

²⁾ High output designs are non-CENELEC harmonized.

³⁾ On request.

Global Motors acc. to EFF1, EPCAct, CSA, EEV, UR

Technical data

Totally enclosed squirrel cage three phase motors, aluminum frame

Power Hp	Motor type	Product code	Speed r/min	NEMA Nom. Eff. % ¹⁾	Efficiency acc. to IEC 100% 75%	Power factor cos φ	Current		Torque			Moment of inertia kgm ²	Weight				
							I _N A	I _s A	Nm	T _s Nm	T _{max} Nm		kg	lbs			
3600 r/min (2-pole) 460 V 60 Hz																	
0.25	0.18	M3VA 63 A	3GVA 061 391-••	3400	2)	70.1	67.5	0.60	0.5	4.6	0.5	4.0	4.0	0.00013	3.9	8.6	
0.35	0.25	M3VA 63 B	3GVA 061 392-••	3400	2)	76.4	75.3	0.70	0.6	5.4	0.7	3.9	3.9	0.00016	4.4	9.7	
0.50	0.37	M3VA 71 A	3GVA 071 391-••	3450	2)	76.5	74.5	0.70	0.9	6.6	1.0	4.2	4.4	0.00040	5.5	12	
0.75	0.55	M3VA 71 B	3GVA 071 392-••	3450	2)	79.8	78.6	0.75	1.2	7.1	1.5	4.2	4.5	0.00045	6.5	14	
1	0.75	M3VA 80 A	3GVA 081 731-••	3480		75.5	80.6	79.2	0.81	1.45	8.4	2.06	4.9	4.5	0.00072	9	20
1.5	1.1	M3VA 80 C	3GVA 081 773-••	3460		82.5	83.5	83.1	0.85	2.0	9.5	3.04	4.8	4.7	0.00109	11	24
2	1.5	M3AA 90 L	3GAA 091 312-••CG2	3535		86.5	87.5	86.5	0.85	2.6	8.1	4.1	2.8	3.8	0.0024	16	35
3	2.2	M3AA 90 LB	3GAA 091 313-••CG2	3530		87.5	87.9	87.5	0.85	3.7	7.5	6.0	3.2	3.7	0.0027	18	40
4	3	M3AA 100 LB	3GAA 101 312-••CG2	3560		88.0	88.0	88.0	0.85	5.1	11.0	8.0	3.9	5.0	0.0005	25	55
5	4	M3AA 112 M	3GAA 111 022-••CG2	3475		87.5	87.8	88.3	0.93	6.1	9.0	11	2.6	4.1	0.012	33	73
7.5	5.5	M3AA 132 SA	3GAA 131 023-••CG2	3500		88.5	87.8	86.9	0.88	8.7	9.4	15	3.3	4	0.016	42	93
10	7.5	M3AA 132 SB	3GAA 131 024-••CG2	3465		89.5	90.8	90.6	0.92	11.5	14.5	20.7	4.5	6	0.022	56	123
15	11	M3AA 160 MA	3GAA 161 121-••CG2	3545		90.2	91.9	91.4	0.90	16.8	8.6	30	2.8	3.3	0.047	84	185
20	15	M3AA 160 M	3GAA 161 122-••CG2	3545		90.2	92.6	92.4	0.90	22.5	9.2	40	3.2	3.7	0.053	94	207
25	18.5	M3AA 160 L	3GAA 161 123-••CG2	3545		91	93.5	93.3	0.89	27.5	9.8	50	2.8	3.5	0.058	100	220
30	22	M3AA 180 M	3GAA 181 121-••CG2	3560		91	93.9	93.8	0.90	32.5	8.3	59	2.6	3	0.092	137	302
40	30	M3AA 200 MLB	3GAA 201 021-••CG2	3555		91.7	93.1	92.8	0.90	44.5	9.0	81	3.2	3.2	0.18	200	441
50	37	M3AA 200 MLC	3GAA 201 022-••CG2	3560		92.4	93.9	93.6	0.88	56	9.7	99	3.7	3.6	0.19	205	452
60	45	M3AA 225 SMC	3GAA 221 021-••CG2	3575		93	94.2	93.7	0.88	68	7.9	121	2.5	3.2	0.29	260	573
75	55	M3AA 250 SMB	3GAA 251 021-••CG2	3570		93	93.8	93.3	0.90	81	8.7	147	2.7	3.2	0.57	330	727
100	3) 75	M3AA 250 SMC	3GAA 251 022-••CG2	3565		93.6	94.9	94.6	0.92	108	9.9	201	2.4	3.1	0.59	345	760
100	75	M3AA 280 SMC	3GAA 281 021-••CG2	3565		93.6	94.9	94.6	0.92	108	9.9	201	2.4	3.1	0.6	390	859

Global motor fulfilling EFF1, CSA-EEV and EPCAct certification requirements CC031A.

¹⁾ NEMA Nominal efficiency acc. to IEEE112.

²⁾ EPCAct classification is valid for motors from 1 HP to 200 HP.

³⁾ High output designs are non-CENELEC harmonized.

Global Motors acc. to EFF1, EPEAct, CSA, EEV, UR

Technical data

Totally enclosed squirrel cage three phase motors, aluminum frame

Power Hp	Motor type	Product code	Speed r/min	NEMA Nom. Eff. % ¹⁾	Efficiency			Power factor cos φ	Current		Torque			Moment of inertia kgm ²	Weight		
					acc. to IEC 100%	75%			I _N A	I _s A	Nm	T _s Nm	T _{max} Nm		kg	lbs	
1800 r/min (4-pole) 460 V 60 Hz																	
0.16	0.12	M3VA 63 A	3GVA 062 391-••	1680	²⁾	58.8	54.5	0.55	0.5	2.8	0.7	2.6	2.7	0.00019	4	8.8	
0.25	0.18	M3VA 63 B	3GVA 062 392-••	1680	²⁾	62.8	59.5	0.57	0.6	2.9	1.0	2.5	2.6	0.00026	4.5	9.9	
0.35	0.25	M3VA 71 A	3GVA 072 391-••	1700	²⁾	66.7	63.9	0.68	0.7	4.3	1.4	3.1	3.1	0.00066	5.5	12	
0.50	0.37	M3VA 71 B	3GVA 072 392-••	1700	²⁾	70.6	68.3	0.69	0.9	4.5	2.1	3.2	3.2	0.00089	6.5	14	
0.75	0.55	M3VA 80 A	3GVA 082 391-••	1700	²⁾	73.3	71.6	0.74	1.3	5.1	3.1	3.0	3.0	0.00125	9.0	20	
1	0.75	M3VA 80 C	3GVA 082 733-••	1730		82.5	82.5	82.1	0.78	1.5	6.6	4.14	4.1	3.1	0.00185	11	24
1.5	1.1	M3AA 90 L	3GAA 092 312-••CG2	1750		84.0	85.5	84.0	0.78	2.1	7.1	6.1	3.0	3.8	0.0043	16	35
2	1.5	M3AA 100 LA	3GAA 102 311-••CG2	1765		86.5	87.2	86.0	0.79	2.8	7.5	8.2	3.0	4.0	0.0069	21	46
3	2.2	M3AA 100 LC	3GAA 102 313-••CG2	1770		87.5	87.5	87.5	0.75	4.2	9.0	11.9	4.1	4.8	0.009	25	55
4	3	M3AA 100LB	3GAA 102 342-••CG2	1740		87.5	87.5	87.5	0.82	5.4	7.6	16.5	3.1	3.7	0.0082	25	55
5	4	M3AA 112 M	3GAA 112 022-••CG2	1775		87.5	88.0	87.4	0.80	7.1	10.4	21.8	3.9	4.6	0.018	34	75
7.5	5.5	M3AA 132 S	3GAA 132 023-••CG2	1760		89.5	89.7	89.9	0.83	9.3	8.9	30	2.7	3.5	0.038	48	106
10	7.5	M3AA 132 M	3GAA 132 024-••CG2	1765		89.5	90.5	90.9	0.85	12.4	9.7	41	3.5	3.6	0.048	59	130
15	11	M3AA 160 M	3GAA 162 121-••CG2	1775		91.0	92.5	92.4	0.81	18.4	8.9	59	3.5	3.7	0.091	94	207
20	15	M3AA 160 L	3GAA 162 122-••CG2	1770		91.0	92.4	92.5	0.83	24.5	8.8	81	3.5	3.6	0.102	103	227
25	18.5	M3AA 180 M	3GAA 182 121-••CG2	1775		92.4	93.5	93.8	0.84	29.5	7.7	100	3	3.1	0.191	141	311
30	22	M3AA 180 L	3GAA 182 122-••CG2	1780		92.4	94.1	94.0	0.83	35	9.1	118	3.4	3.8	0.225	161	355
40	30	M3AA 200 MLB	3GAA 202 021-••CG2	1780		93.0	94.4	94.5	0.83	48.5	9.2	161	4.1	3.4	0.34	205	452
50	37	M3AA 225 SMB	3GAA 222 021-••CG2	1785		93.0	94.0	93.8	0.84	59	9.1	198	3.9	3.3	0.42	230	507
60	45	M3AA 225 SMC	3GAA 222 022-••CG2	1780		93.6	94.9	94.7	0.86	69	9.1	241	3.9	3.5	0.49	265	584
75	³⁾ 55	M3AA 225 SMD	3GAA 222 023-••CG2	1785		94.1	94.8	94.7	0.86	85	9.9	295	4.5	3.7	0.56	290	639
75	55	M3AA 250 SMB	3GAA 252 021-••CG2	1780		94.1	95.0	94.9	0.86	85	8.5	295	3.2	3.4	0.88	335	738
100	³⁾ 75	M3AA 250 SMC	3GAA 252 022-••CG2	1785		94.5	95.6	95.6	0.84	117	9.8	402	3.2	3.4	0.95	360	793
100	75	M3AA 280 SMB	3GAA 282 021-••CG2	1785		94.5	95.6	95.6	0.84	117	9.8	402	3.2	3.4	0.95	405	892

Global motor fulfilling EFF1, CSA-EEV and EPEAct certification requirements CC031A.

¹⁾ NEMA Nominal efficiency acc. to IEEE112.

²⁾ EPEAct classification is valid for motors from 1 HP to 200 HP.

³⁾ High output designs are non-CENELEC harmonized.

General purpose global motors - Variant codes

Code	Variant	Motor size						
		63	71-80	90-100	112-132	160-180	200-250	280
1)								
Balancing								
052	Vibration acc. to grade A (IEC 60034-14).	P	P	P	S	S	S	S
417	Vibration acc. to grade B (IEC 60034-14).	NA	NA	R	R	R	R	R
423	Balancing without key.	P	P	P	R	R	R	R
424	Full key balancing.	P	P	P	R	R	R	R
Bearings and lubrication								
036	Transport lock for bearings.	NA	NA	NA	M	M	M	M
037	Roller bearing at D-end.	NA	NA	NA	NA	M	M	M
039	Cold resistant grease (-55... +100° C).	M	M	NA	P	P	P	P
040	Heat resistant grease (-25... +150° C).	M	M	P	S	S	S	S
041	Bearings regreasable via grease nipples.	NA	NA	NA	M	M	S	S
042	Locked drive-end. Standard for sizes 112-132, flanged versions.	NA	M	S	M	S	S	S
043	SPM nipples.	NA	NA	R	M	M	M	M
057	2RS bearings at both ends. Grease for bearing temperatures -20 - +110° C.	M	M	P	M	M	M	M
058	Angular contact ball bearing at D-end, shaft force away from bearing. Transport lock included.	NA	NA	M	M	M	M	M
059	Angular contact ball bearing at N-end, shaft force towards bearing. Transport lock included.	NA	NA	M	M	M	M	M
188	63-series bearings.	NA	NA	M	M	S	S	S
796	Grease nipples JIS B 1575 PT 1/8 Type A. Stainless steel.	NA	NA	NA	M	M	M	M
797	Stainless steel SPM nipples.	NA	NA	NA	M	M	M	M
798	Stainless steel grease nipples.	NA	NA	NA	M	M	M	M
Branch standard designs								
142	"Manilla" winding connection. (440 VD series, 220 VD parallel, 60Hz).	NA	NA	M	M	M	M	M
178	Stainless steel/acid proof bolts.	M	M	M	M	M	M	M
209	Non-standard voltage or frequency (special winding).	NA	NA	R	R	R	R	R
425	Corrosion protected stator and rotor core.	P	P	P	P	P	P	P
Coupling								
035	Assembly of customer supplied coupling-half.	NA	NA	R	R	R	R	R
Dimension drawing								
141	Binding dimension drawing.	M	M	M	M	M	M	M
Drain holes								
065	Plugged existing drain holes.	M	M	M	M	M	M	M
Earthing bolt								
067	External earthing bolt.	M	M	M	M	M	M	M

1) Certain variant codes cannot be used simultaneously.

S = Included as standard.
M = On modification of a stocked motor, or on new manufacture, the number per order may be limited.

P = New manufacture only.
R = On request.
NA = Not applicable.

Code	Variant	Motor size						
		63	71-80	90-100	112-132	160-180	200-250	280

1)

Heating elements

	Motor size	Element capacity							
	63-71	8 W							
	80-160	25 W							
	180-280	50 W							
450	Heating element 100-120 V.		M	M	NA	M	M	M	M
451	Heating element 200-240 V.		M	M	NA	M	M	M	M

Mounting arrangements

NOTE: Multiple flange sizes available using two-piece flange system, see page 48.									
007	IM 3001 flange mounted, IEC flange, from IM 1001 (B5 from B3).		NA	NA	NA	NA	NA	M	M
008	IM 2101 foot/flange mounted, from IM 1001 (B34 from B3).		NA	M	M	M	M	NA	NA
009	IM 2001 foot/flange mounted, from IM 1001 (B35 from B3).		NA	M	M	M	M	M	M
066	Modified for non-standard mounting position (please specify IM xxxx). (must be ordered for all mounting arrangements excluding IM B3 (1001) and B5 (3001)).		M	M	M	M	M	M	M

Painting

114	Special paint colour, standard grade. RAL-colour no. must be specified.		M	M	P	M	M	M	M
179	Special paint specification.		R	R	R	R	R	R	R

Protection

005	Metal protective roof, vertical motor, shaft down.		M	M	M	M	M	M	M
072	Radial seal at D-end.		NA	NA	NA	M	M	M	M
158	Degree of protection IP65. Dust proof version.		M	M	NA	M	M	M	M
211	Weather protected, IP xx W.		NA	NA	NA	P	P	P	P
403	Degree of protection IP 56.		M	M	NA	M	M	M	M
784	Gamma-seal at D-end.		NA	NA	NA	M	M	M	M

Rating and instruction plates

003	Individual serial number.		P	P	M	M	M	M	M
138	Mounting of additional identification plate, aluminum.		M	M	M	M	M	M	M
139	Additional identification plate delivered loose.		M	M	M	M	M	M	M
163	Frequency converter rating plate. Rating data according to quotation.		NA	NA	M	M	M	M	M

Shaft and rotor

069	Two shaft extensions as per basic catalogue.		P	P	NA	P	P	P	P
070	One or two special shaft extensions, std shaft material.		R	R	R	R	R	R	R
165	Shaft extension with open keyway.		P	P	R	P	P	P	P

Standards and regulations

010	Fulfilling CSA Safety Certificate.		P	P	S	S	S	S	S
011	Fulfilling CSA Energy Efficiency Verification (010 included).		NA	NA	NA	S	S	S	S
029	Fulfilling Underwriters Laboratory (UL) requirements.		NA	NA	S	S	S	S	S
408	Fulfilling EPCert certification requirements, CC031A.		NA	P	R	S	S	S	S

1) Certain variant codes cannot be used simultaneously.

S = Included as standard.

M = On modification of a stocked motor, or on new manufacture, the number per order may be limited.

P = New manufacture only.

R = On request.

NA = Not applicable.

Code	Variant	Motor size						
		63	71-80	90-100	112-132	160-180	200-250	280

1)

Stator winding temperature sensors

121	Bimetal detectors, break type (NCC), (3 in series), 130°C, in stator winding.	M	M	P	P	P	P	P
122	Bimetal detectors, break type (NCC), (3 in series), 150°C, in stator winding.	M	M	P	M	M	M	M
123	Bimetal detectors, break type (NCC), (3 in series), 170°C, in stator winding.	M	M	P	P	P	P	P
124	Bimetal detectors, break type (NCC), (2x3 in series), 140°C, in stator winding.	NA	NA	P	P	P	P	P
125	Bimetal detectors, break type (NCC), (2 x 3 in series), 150°C, in stator winding.	M	M	P	P	P	P	P
127	Bimetal detectors, break type (NCC), (3 in series, 130°C & 3 in series, 150°C), in stator winding.	M	M	P	P	P	P	P
321	Bimetal detectors, closing type (NO), (3 in parallel), 130°C, in stator winding.	NA	NA	P	R	R	R	R
322	Bimetal detectors, closing type (NO), (3 in parallel), 150°C, in stator winding.	NA	NA	P	R	R	R	R
323	Bimetal detectors, closing type (NO), (3 in parallel), 170°C, in stator winding.	NA	NA	P	R	R	R	R
325	Bimetal detectors, closing type (NO), (2x3 in parallel), 150°C, in stator winding.	NA	NA	R	R	R	R	R
327	Bimetal detectors, closing type (NO), (3 in parallel, 130°C & 3 in parallel, 150°C), in stator winding.	NA	NA	R	R	R	R	R
435	PTC-thermistors, (3 in series), 130°C, in stator winding.	M	M	R	P	P	P	P
436	PTC-thermistors (3 in series), 150°C, in stator winding.	M	M	M	M	M	S	S
437	PTC thermistors (3 in series), 170°C, in stator winding.	M	M	R	P	P	P	P
439	PTC-thermistors (2x3 in series), 150°C, in stator winding.	M	M	R	P	P	P	P
440	PTC-thermistors, (3 in series, 110 °C & 3 in series, 130°C), in stator winding.	M	M	R	R	R	R	R
441	PTC-thermistors, (3 in series, 130 °C & 3 in series, 150°C), in stator winding.	M	M	R	P	P	P	P
442	PTC thermistors, (3 in series, 150 °C & 3 in series, 170°C), in stator winding.	M	M	R	P	P	P	P
445	Pt100 2-wire in in stator winding, 1 per phase.	NA	NA	NA	P	P	P	P
446	Pt100 2-wire in in stator winding, 2 per phase.	NA	NA	NA	NA	P	P	P

Terminal box

015	Motor supplied in D-connection.	M	M	M	M	M	M	M
017	Motor supplied in Y-connection.	M	M	M	M	M	M	M
021	Terminal box LHS, seen from D-end (= L prod.code).	NA	M	M	NA	NA	P	P
180	Terminal box RHS, seen from D-end (= R prod.code).	NA	M	M	NA	NA	P	P
230	Standard metal cable gland.	M	M	M	M	M	M	M
731	Two standard metal cable glands.	M	M	M	M	M	M	M

1) Certain variant codes cannot be used simultaneously.

S = Included as standard.
M = On modification of a stocked motor,
or on new manufacture,
the number per order may be limited.

P = New manufacture only.
R = On request.
NA = Not applicable

Code	Variant	Motor size						
		63	71-80	90-100	112-132	160-180	200-250	280

¹⁾

Testing

140	Test confirmation.	M	M	R	P	P	P	P
145	Type test report from a catalogue motor, 400 V 50 Hz.	M	M	R	P	P	P	P
146	Type test with report for motor from specific delivery batch.	P	P	R	P	P	P	P
147	Type test report with motor from spec. del. batch, customer witnessed.	P	P	R	P	P	P	P
148	Routine test report. Witnessed routine test = 146.	P	P	R	P	P	P	P
149	Test according to separate test specification.	NA	NA	R	R	R	R	R
221	Type test and multi-point load test with report for motor from specific delivery batch.	R	R	R	P	P	P	P
222	Torque/speed curve, type test and multi-point load test with report for motor from spec del batch.	R	R	R	P	P	P	P
760	Vibration level test.	P	P	R	P	P	P	P
762	Noise level test.	R	R	R	P	P	P	P

¹⁾ Certain variant codes cannot be used simultaneously.

S = Included as standard.

M = On modification of a stocked motor, or on new manufacture, the number per order may be limited.

P = New manufacture only.

R = On request.

NA = Not applicable.

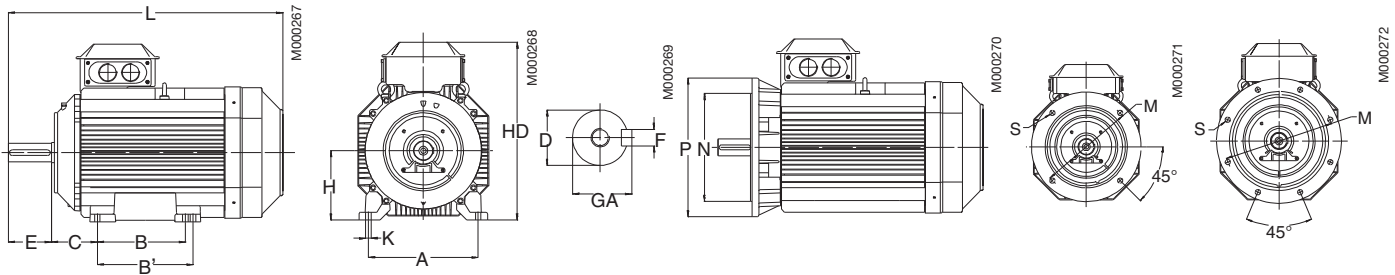
Global motors

Dimension drawings

Sizes 63-280

Foot-mounted motor IM 1001 / B3

Foot-mounted motor IM 3001 / B5



Motor size	IM 1001, IM B3 AND IM 3001, IM B5								IM 1001, IM B3							IM 3001, IM B5					
	D poles		GA poles		F poles		E poles		L max poles		A	B	B'	C	H	HD	K	M	N	P	S
63	11	11	12.5	12.5	4	4	23	23	205	205	100	80	-	40	63	171	7	115	95	140	10
71	14	14	16	16	5	5	30	30	238	238	112	90	-	45	70	176	7	130	110	160	10
80	19	19	21.5	21.5	6	6	40	40	265	265	125	100	-	50	80	190	10	165	130	200	12
90	24	24	27	27	8	8	50	50	320	320	140	125	-	56	90	212	10	165	130	200	12
100	28	28	31	31	8	8	60	60	358.5	358.5	160	140	-	63	100	236	12	215	180	250	15
112	28	28	31	31	8	8	60	60	388	388	190	140	-	70	112	258	12	215	180	250	14.5
132 S, SA	38	38	41	41	10	10	80	80	447	447	216	140	178	89	132	295.5	12	265	230	300	14.5
132 SB, M	38	38	41	41	10	10	80	80	481.5	481.5	216	140	178	89	132	295.5	12	265	230	300	14.5
160	42	42	45	45	12	12	110	110	602.5	602.5	254	210	254	108	160	370	15	300	250	350	19
180 M	48	48	51.5	51.5	14	14	110	110	680	680	279	241	279	121	180	405	15	300	250	350	19
180 L	48	48	51.5	51.5	14	14	110	110	700.5	700.5	279	241	279	121	180	405	15	300	250	350	19
200	55	55	59	59	16	16	110	110	774	774	318	267	305	133	200	533	18	350	300	400	19
225 SMB, SMC	55	60	59	64	16	18	110	140	836	866	356	286	311	149	225	578	18	400	350	450	19
225 SMD	55	60	59	64	16	18	110	140	861	891	356	286	311	149	225	578	18	400	350	450	19
250 SMB	60	65	64	69	18	18	140	140	875	875	406	311	349	168	250	626	22	500	450	550	19
250 SMC	60	65	64	69	18	18	140	140	900	900	406	311	349	168	250	626	22	500	450	550	19
280	65	75	69	79.5	18	20	140	140	900	900	457	368	419	190	280	656	24	500	450	550	19

IM 3601, IM B14

Motor size	M	N	P	S
63	75	60	90	M5
71	85	70	105	M6
80	100	80	120	M6
90	115	95	140	M8
100	130	110	160	M8
112	130	130	160	M8
132	165	165	200	M10

Tolerances:

- A, B ± 0,8
- D, DA ISO k6 < Ø 50mm
ISO m6 > Ø 50mm
- F, FA ISO h9
- H -0,5
- N ISO j6
- C, CA ± 0.8

Above table gives the main dimensions in mm.




For detailed drawings please see our web-pages
'www.abb.com/motors&drives' or contact us.

Rating plates

The applicable Global motor standards provide the following minimum requirements for markings to be shown on the rating plate.

- NEMA Nominal efficiency
- "EPAct CC031A" when applicable
- Output in kW and hp
- Ambient temperature
- Serial number
- Logos according to certifications

Flange mounted motors will be delivered as global motors however the CC number cannot be printed on the rating plate.

ABB Motors   


3~Motor M3AA 090 L-2 CL. A IP IEC 60034-1

3GAA091312-ASEG2



N°. Amb. 40°C Encl. TEFC

V	Hz	r/min	hp	A	Cos φ
440-480 Y	60	3500	2	2,6	0,86
255-275 D	60	3500	2	4,5	0,86

NEMA Nom. Eff 86,5% CC031A

6205-2Z/C3  6204-2Z/C3 15 kg

M000117






ABB Motors  

Motor 3~ CL. F IP55 IEC 34-1

M2VA80B-4 3GVA082002-ASA

V	Hz	r/min	kW	A	cos φ
380-420 Y 220-240 Δ	50	1410	0.75	2.0/3.5	0.74
440-480 Y 250-280 Δ	60	1690	0.90	1.9/3.3	0.77

M000025

ABB     

3~Motor M3AA 112 M 2 Cl. A IP 55 IEC 60034-1


3GAA 111 022 - ADCG2

No. Amb 40°C Encl. TEFC

V	Hz	r/min	kW/hp	A	cos φ
380-420 Δ	50	2860	4 / 5	7,6	0,93
660-690 Y	50	2860	4 / 5	4	0,93
440-480 Δ	60	3475	4 / 5	6,4	0,93





EPAct: CC031A

Nema Nom.Eff. 87,5

6206-2Z/C3  6206-2Z/C3 33 Kg

ABB, LV Motors Sweden 3GZY 194 001-39

M000118

ABB    

3~Motor M3AA 160 MA 2

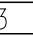
Amb 40°C Encl. TEFC

No

V	Hz	kW	hp	r/min	A	cos φ
690 Y	50	11	15	2935	10,8	0,9
400 Δ	50	11	15	2935	19,2	0,9
660 Y	50	11	15	2930	11,6	0,91
380 Δ	50	11	15	2930	20	0,91
415 Δ	50	11	15	2940	18,7	0,89
460 Δ	60	11	15	3545	16,8	0,9





Prod.code 3GAA 161 121-ADCG2

EPAct: CC031A NEMA Nom.Eff. 90,2

6309-2Z/C3  6209-2Z/C3 84 kg

ABB, LV Motors Sweden IEC 60034-1 3GZY 194 001-40

M000119

ABB    

3~Motor M3AA 250 SMB 4


Amb 40°C Encl. TEFC

No

V	Hz	kW	hp	r/min	A	cos φ
690 Y	50	55	75	1480	54	0,87
400 Δ	50	55	75	1480	96	0,87
660 Y	50	55	75	1475	59	0,88
380 Δ	50	55	75	1475	101	0,88
415 Δ	50	55	75	1480	93	0,87
460 Δ	60	55	75	1780	85	0,86





Prod.code 3GAA 252 021-ADCG2

EPAct: CC031A NEMA Nom.Eff. 94,1

6315/C3  6213/C3 335 kg

ABB, LV Motors Sweden IEC 60034-1 3GZY 194 001-40

M000120

ABB    

3~Motor M3AA 160 MA 2

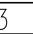
Amb 40°C Encl. TEFC

No

V	Hz	kW	hp	r/min	A	cos φ
690 Y	50	11	15	2935	10,8	0,9
400 Δ	50	11	15	2935	19,2	0,9
660 Y	50	11	15	2930	11,6	0,91
380 Δ	50	11	15	2930	20	0,91
415 Δ	50	11	15	2940	18,7	0,89
460 Δ	60	11	15	3545	16,8	0,9

Prod.code 3GAA 161 121-BDCG2

NEMA Nom.Eff. 90,2

6309-2Z/C3  6209-2Z/C3 84 kg

ABB, LV Motors Sweden IEC 60034-1 3GZY 194 001-40

M000121

It's the details that make the difference

■ Designed, certified and labeled to meet the safety requirements according to CE, UL/UR and CSA, and the efficiency requirements according to CE, EFF1, EPAAct and CSA/EEV.

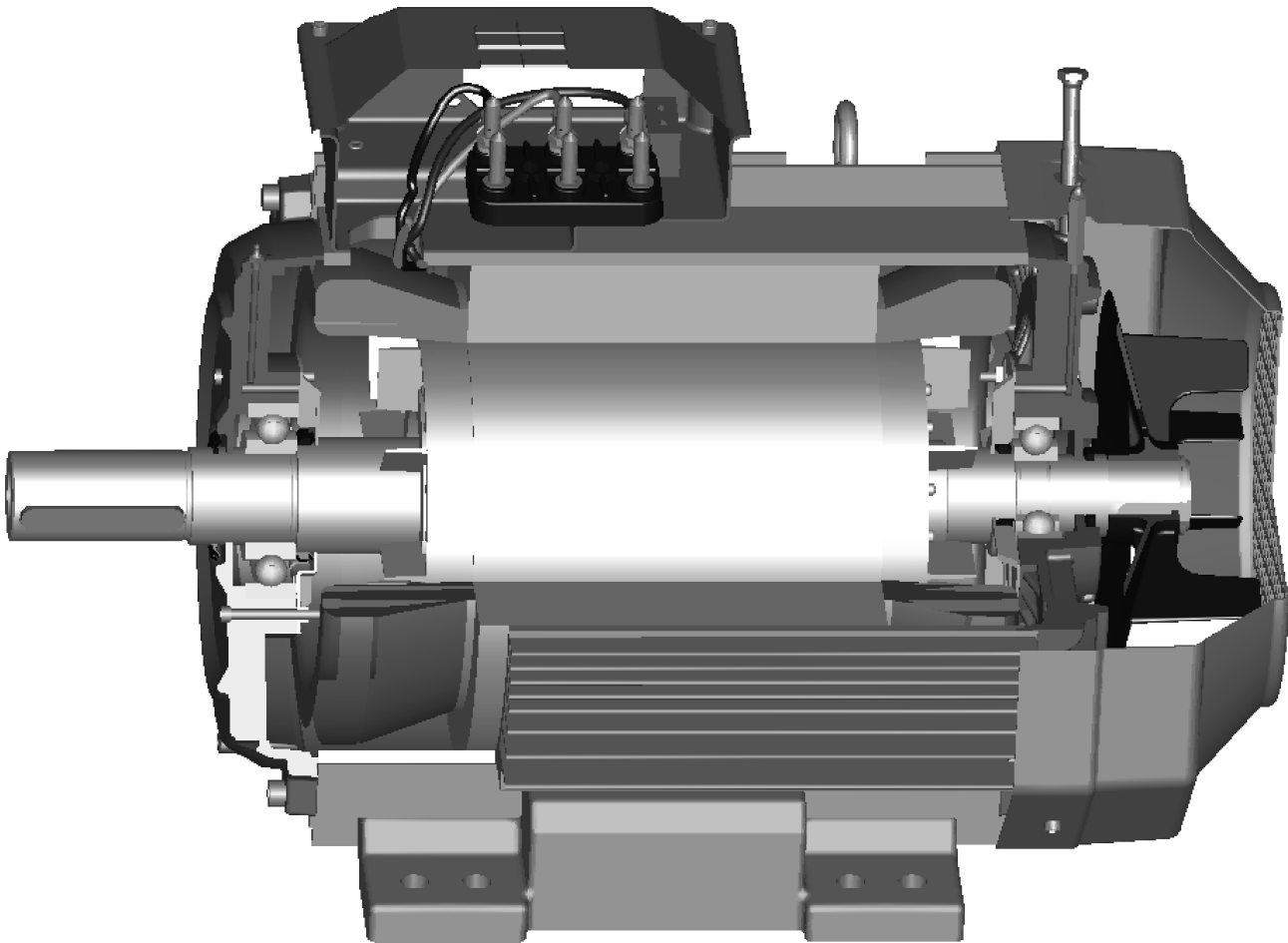
■ Suitable for variable frequency drive applications.

■ Terminal box with 6 lead terminal board, the winding can be connected in either D or Y configuration. The terminal box has plenty of space and is designed for easy and secure installation.

■ Degree of protection / Enclosure: IP 55 / Totally enclosed (TEFC) Waterproof Motor

- Protected against Dust / Limited ingress permitted (no harmful deposit)
- Protected against low pressure jets of water from all directions / Limited ingress permitted.

Other protections available on request.



M000122

■ The frame is made of corrosion resistant die-cast aluminum with low copper content. Together with a surface treatment and final powder painting with Epoxy/Polyester powder, it gives a very high corrosion protection suitable for industrial applications, indoors and outdoors.

■ Reliable grease-lubricated ball bearings with C3 clearance as standard, designed for low running temperature and long service life.

■ Made by ABB according to the highest quality standards.

General purpose global motors in brief, basic design

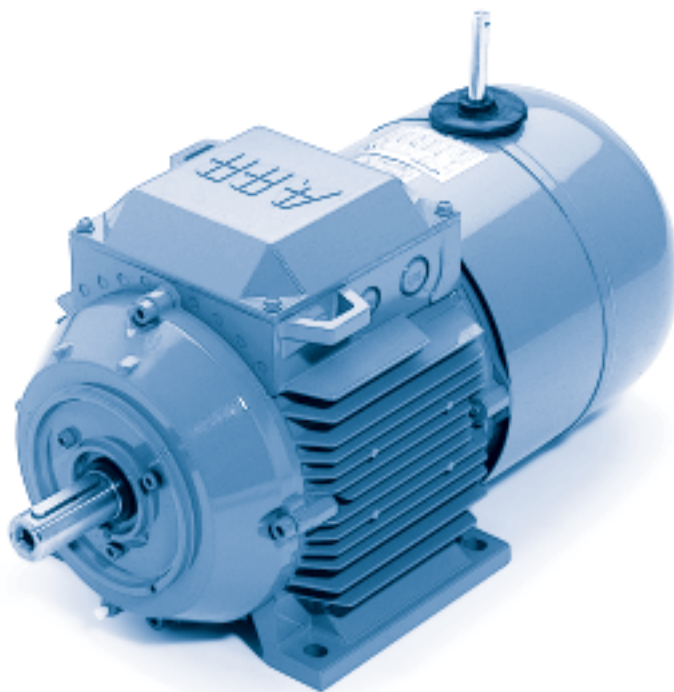
Motor size		63	71	80	90	100	112	132	
Stator	Material Paint colour shade Paint	Diecast aluminum alloy. Munsell blue 8B 4.5/3.25 / NCS 4822-B05G / RAL 5014 Epoxy polyester powder paint, $\geq 30 \mu\text{m}$.					Polyester powder paint, $\geq 30 \mu\text{m}$.	Polyester powder paint, $\geq 50 \mu\text{m}$.	
Feet	Material	Aluminum alloy, loose feet in sizes 71-100, feet integrated with stator in size 63.					Aluminum alloy, integrated with stator.		
Bearing end shields	Material Paint colour shade Paint	Diecast aluminum alloy. Munsell blue 8B 4.5/3.25 / NCS 4822-B05G / RAL 5014 Epoxy polyester powder paint, $\geq 30 \mu\text{m}$.					Polyester powder paint, $\geq 30 \mu\text{m}$.	Polyester powder paint, $\geq 50 \mu\text{m}$.	
Bearings	D-end N-end	6202-2Z/C3 6201-2Z/C3	6203-2Z/C3 6202-2Z/C3	6204-2Z/C3 6203-2Z/C3	6205-2Z/C3 6204-2Z/C3	6306-2Z/C3 6205-2Z/C3	6206-2Z/C3 6205-2Z/C3	6208-2Z/C3 6206-2Z/C3	
Axially-locked bearings	Inner bearing cover	Spring washer at N-end.			D-end 112-132: Foot-mounted - a spring washer at N-end presses the rotor against D-end. Flange-mounted - inner bearing cover and spring-washer at N-end.				
Bearing seals	D-end N-end	V-ring. Labyrinth seal.							
Lubrication		Permanent grease lubrication. Grease for bearing temperatures -30 to +110°C.					Grease for bearing temperatures -40 to +160°C.		
Terminal box	Material Surface treatment Screws	Die-cast aluminum alloy. Similar to stator. Steel 5G. Chromated.							
Connections	Knock-out openings Terminal box Screws Max Cu-area, mm ²	1 x M16 x Pg11 2 x M20 x Pg16			4 x M25		2 x (M25 + M20)		
		Screw terminal, 6 terminals.					Cable lugs, 6 terminals. M5 10		
Fan	Material	Polypropylene. Reinforced with 20% glass fibre.							
Fan cover	Material	Steel.					Polypropylene.		
Stator winding	Material Impregnation Insulation class Winding protection	Copper Polyester vanish. Tropicalised. Insulation class F. Temperature rise class B, unless otherwise stated. Optional.							
Rotor winding	Material	Die-cast aluminum.							
Balancing method		Half key balancing.							
Key ways		Closed key way							
Heating elements		25 W							
Drain holes		Drain holes with closable plastic plugs. Open on delivery.							
Enclosure		IP 55							
Cooling method		IC 411							

General purpose global motors in brief, basic design

Motor size		160	180	200	225	250	280
Stator	Material	Die-cast aluminum alloy.		Extruded aluminum alloy.			
		Munsell blue 8B 4.5/3.25 / NCS 4822-B05G / RAL 5014 Polyester powder paint, $\geq 50 \mu\text{m}$.					
Feet	Material	Aluminum alloy, integrated with stator.		Aluminum alloy, bolted to the stator. Size 250, 2p cast iron.			Cast iron
Bearing end shields	Material	Die-cast aluminum alloy.	Flanged bearing end shields of cast iron, other die-cast aluminum alloy				Cast iron
		Munsell blue 8B 4.5/3.25 / NCS 4822-B05G / RAL 5014 Polyester powder paint, $\geq 50 \mu\text{m}$.					
Bearings	D-end	6309-2Z/C3	6310-2Z/C3	6312/C3	6313/C3	6315/C3	6316/C3 ¹⁾
Single-speed motors	N-end	6209-2Z/C3	6209-2Z/C3	6210/C3	6212/C3	6213/C3	6213/C3
		¹⁾ 6315/C3 for 2-pole motor					
Axially-locked bearings	Inner bearing cover	D-end					
Bearing seals	D-end N-end	V-ring. Labyrinth seal.		Outer and inner V-rings. Outer and inner V-rings.			
Lubrication		Permanent grease lubrication. Grease for bearing temperatures -40 to +160°C.		Regreasable bearings. Grease for bearing temperatures -40 to 150°C.			
Terminal box	Material	Die-cast aluminum alloy. Base integrated with stator.		Deep-drawn steel sheet, bolted to stator.			
	Surface treatment	Similar to stator.		Phosphated. Polyester paint.			
	Screws	Steel 5G. Galvanised.					
Connections	Knock-out openings	2 x (2 x M40 + M16)		2 x FL 13.2 x M40			2 x FL21, 2 x
	Flange-openings			2 x FL 21.2 x M63 voltage code S			M63, 1 x M16
	Screws	Cable lugs, 6 terminals. M6		M10			
	Max Cu-area, mm ²	35		70			
Fan	Material	Polypropylene. Reinforced with 20% glass fibre.					
Fan cover	Material	Steel sheet. Phosphated. Polyester paint.					
Stator winding	Material	Copper					
	Impregnation	Polyester vanish. Tropicalised.					
	Insulation class	Insulation class F. Temperature rise class B, unless otherwise stated.					
	Winding protection	Optional.			PTC-thermistors, 150°C		
Rotor winding	Material	Die-cast aluminum.					
Balancing method		Half key balancing.					
Key way		Closed key way					
Heating elements		25 W	50 W				
Drain holes		Drain holes with closable plastic plugs. Open on delivery.					
Enclosure		IP 55					
Cooling method		IC 411					

General Purpose Brake Motors

Totally enclosed squirrel cage three phase low voltage motors,
Sizes 63 - 180, 0.055 to 22 kW



www.abb.com/motors&drives

- > **Motors**
- > **Low voltage motors**
- > **General purpose motors**

Mechanical design	190
Ordering information.....	197
Technical data.....	198
Variant codes	210
Rating plates.....	210
Dimension drawings.....	211
Brake motors in brief	213

Mechanical design

Degrees of protection

The degrees of protection, as per IEC standards 60034-5, are: terminal box and electrical components of the brake – IP 55; other motor parts – IP 55.

Mechanical components of the brake – IP 23 S.

Mechanical parts of the brake, protected with a rubber ring and V-ring – IP 55 (optional: variant code 213).

Mounting arrangements of brake motors

The design of the brake motor enables it to operate in any mounting position. Nevertheless, the position of the drain holes should be taken into account.

Vertically mounted motors with the shaft end downwards, intended for outdoor operation, should be provided with a protective roof to avoid water ingress and the possibility of ice forming on the brake.

Operation

ABB's brake motor is a standard motor modified for braking duties, i.e. a three phase induction motor with standard dimensions and output rating.

The electro-magnetic disc brake is powered, by either DC current through a rectifier located in terminal box or three phase AC current.

When the brake coil is de-energised, the brake is actuated by spring pressure.

The axial movement of the brake disc performs a dual

braking action against the moving electromagnet and the motor shield, without pressure or impact being transmitted to the bearings.

The brake linings withstand high temperatures, have great wear resistance and give long life. Because of the very low wear of the braking disc, the brakes of the ABB motor usually require only one-third of the maintenance required by other common brake types in the market.

Lubrication and bearings

The bearings incorporate two Z-type non-friction sealing plates. The amount of grease is sufficient for the life of the bearing.

The motors are fitted with the bearings listed in the table.

Motor size		D-end	N-end
M3VRF/S 63 A, B, BB	6202-2Z/C3	6202-2Z/C3	
71	6203-2Z/C3	6203-2Z/C3	
80	6204-2Z/C3	6204-2Z/C3	
M3ARF/S 90	6205-2Z/C3	6205-2Z/C3	
100	6306-2Z/C3	6206-2Z/C3	
112	6206-2Z/C3	6206-2Z/C3	
132	6208-2Z/C3	6208-2Z/C3	
160	6309-2Z/C3	6209-2Z/C3	
180	6310-2Z/C3	6209-2Z/C3	

Brake design

General

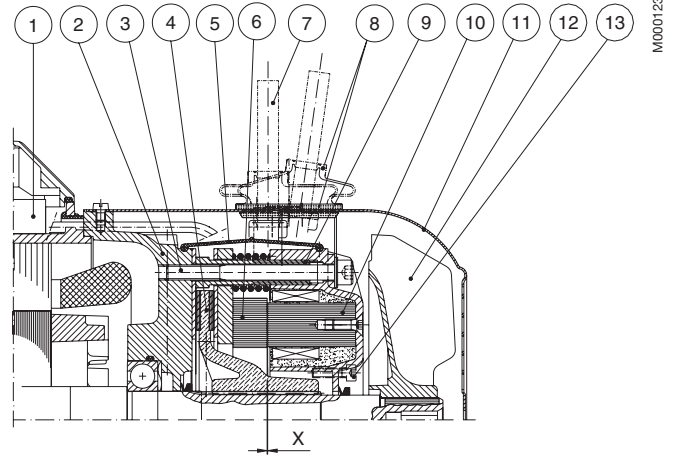
Electromagnetic disc brakes work by the action of a set of springs and are released when applying voltage to the brake coil.

This means that the motor will brake automatically

in case of any voltage failure, as a significant safety feature. The brake is always functional, irrespective of the mounting position of the brake motor. The external dimensions for both the DC and the three phase AC brake are identical.

Detailed view

- 1 Rectifier (DC brake only)
- 2 Motor N-end shield
- 3 Screw
- 4 Brake disc
- 5 Dust protection (optional)
- 6 Armature
- 7 Hand release
- 8 Hand release bellows
- 9 Air gap regulation screw
- 10 Magnet
- 11 Fan cover
- 12 Fan
- 13 Torque regulation screw



Brake disc

The brake lining is made from asbestos-free material. It is highly resistant to wear and has excellent thermal conductivity, thus giving consistent performance even at high temperatures.

The brake disc withstands a large number of braking operations and is insensitive to dust and moisture.

The core of the brake disc is grooved and made of special polyamide that absorbs impacts, enabling it to work with high vibration applications.



Readjusting the air gap

The brakes are supplied with the air gap adjusted to its nominal value.

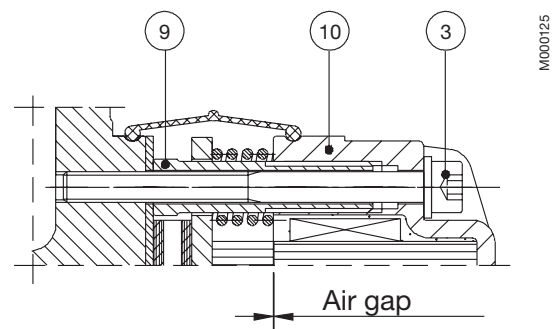
The air gap has to be readjusted to its nominal value when the wear of the lining reaches the readjustment value (X_n) stated in table 1.

For this operation, work on the bushings (9) after releasing the bolts (3).

Tighten up the bushings in the magnet support (10) as required to reach the rated air gap value stated in table 1.

Tighten the bolts (3) to the specific torque, C (see table 1).

At the end of the operation, check that the air gap complies with the specified value and is uniform across the whole surface.



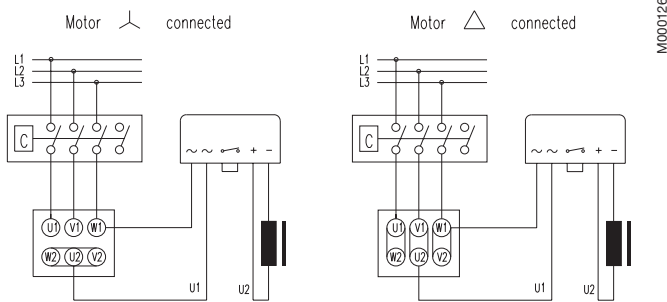
Replacing the brake disc

The brake disc must be replaced when reaching the minimum permissible lining thickness stated in Table 1.

Connection for DC brake

The brake is fed via a rectifier. The voltage stated on the brake rating plate is that of the brake coil on the DC side of the rectifier.

Standard connection (t'21~)



Reconnection (t21~)

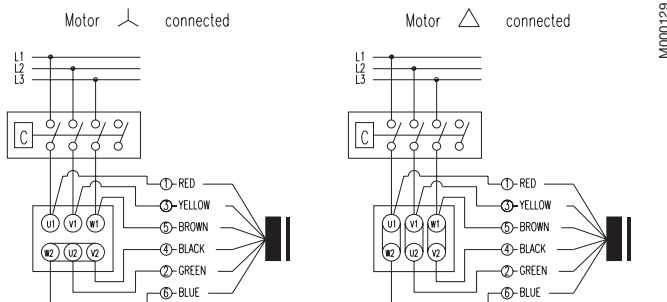
When it is necessary to reduce the braking time, the connections should be modified according to the following diagram. The breaking of the circuit on the AC side is controlled by using an auxiliary contact of the contactor.

7

Connection of AC brake

The coil should only be used between 90% - 110% of its rated voltage.

Standard connection (t21)



Remark:

Regardless of whether a DC or AC brake is used, the brake is usually connected to the motor terminals of single-speed motors. It can, however, also be delivered with a separate brake supply (variant code 086). In case of two-speed motors, the brake is always connected separately. Separate brake connection is compulsory when the motor is driven by a frequency converter.

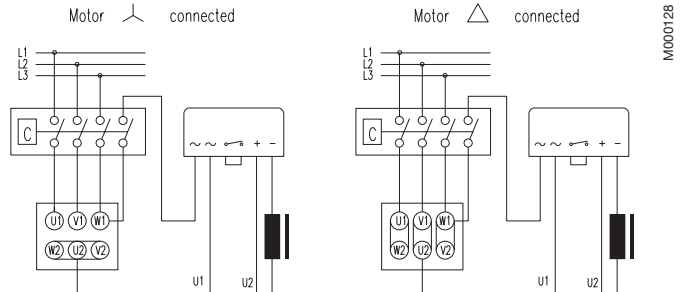
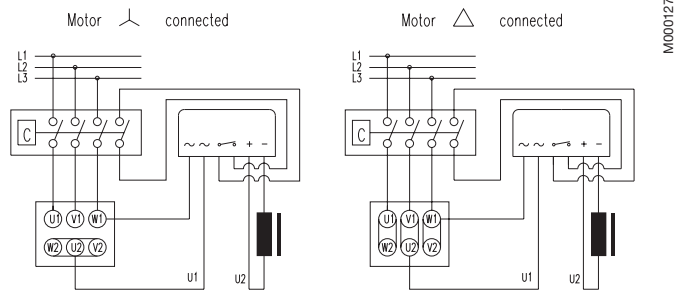
Rectifier

The rectifier is a device for DC brake applications. It is highly resistant to temperature as well as to voltage peaks, and it includes an additional protection of the auxiliary contact of contactor. Its compact design enables it to be placed in the motor terminal box.

The coil can operate reliably between of 90% and 110% of the rated voltage. For voltages outside these limits, please consult ABB.

Reconnection (t21=)

To obtain instant braking, please see table 2 (t21=), use the following diagram.



Reconnection (t21f)

To obtain instant braking, the coil must be fed separately from the motor terminals.

Hand release

The device is a lever used to override the action of the brake springs for as long as it is applied.

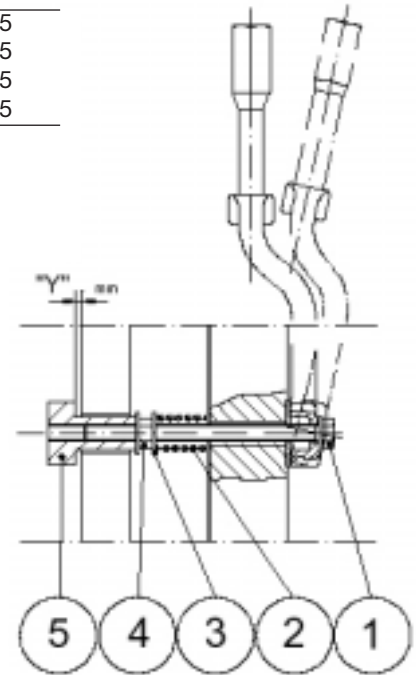
Hand release is included as standard, except for frame size 63, where it is available as option, see variant code 088.

When installing the release lever, please proceed as follows:

Remove the rubber protection, if fitted. Insert the screw (1) with its washer, position the spring (2) and washer (3) and tighten the nut (4) firmly. Fit the other washer and the square-head nut (5); adjust the position of the nut in relation to the moving magnet (Y value) with the central screw (1). When the required value is reached, tighten the inner nut (4) while holding nut (5) fixed.

Important: The use of the release lever needs periodic checking of the Y value and the air gap. The air gap should never exceed the maximum values stated in brake data table 1. Failure to check could result in malfunction due to mechanical locking of the armature.

Size	Y
FM 075.5	1
FM 088.6	1
FM 100.6	1
FM 120.6	1
FM 140.6	1.5
FM 155.6	1.5
FM 170.6	1.5
FM 206.6	1.5



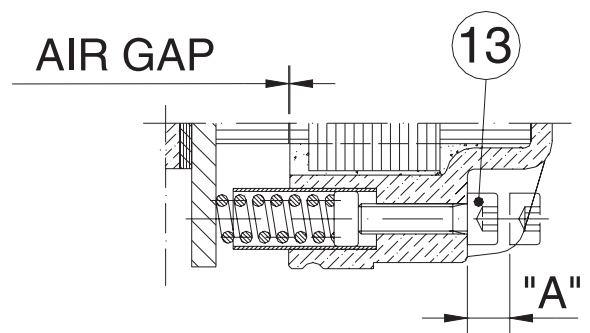
M000130

Torque adjustment

In brake motors from frame size 71 up to 180, the braking torque can be adjusted from 100% up to 55% of the nominal torque as standard.

Instructions for how to regulate torque are delivered with the brake motor. These instructions describe how to loosen the torque regulation screw (13), as well as the relation between dimension A and torque.

Reduced braking torque, from 60% up to 33%, is available by using variant code 087 (applies for frame sizes 71-180).



M000131

7

Brake operating times

The operating times stated in brake data table 2 are valid for the nominal air gap and warmed-up brake coil.

t_1 = Brake release time.

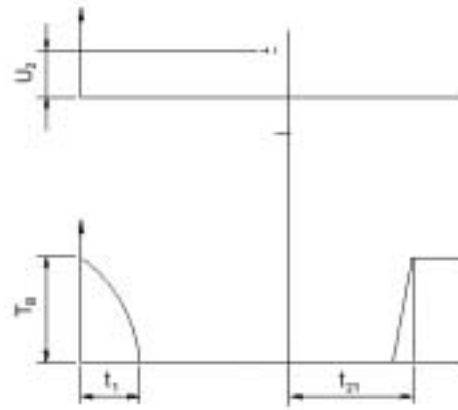
t_{21} = Braking time.

U_2 = Rated voltage.

T_B = Nominal braking torque.

Brake release time = the time from when voltage is applied to the brake coil up to the ceasing of braking action.

Braking time = the time from when the current is switched off up to the starting of braking action.



MD00132

Special brakes (with DC brake)

Two-speed motors with one or two windings, motors with 9 or 12 terminals, and motors that have to be started with star-delta connection, with brake coil for DC, are supplied with the rectifier fitted in the motor terminal box, without the two wires that normally connect it to the motor terminal. The AC supply to the rectifier is independent to the motor supply and should be fed by the main contactor.

The standard brake coil connection voltages for 50 and 60 Hz will be those stated in the following table, unless stated otherwise in the order:

¹⁾ H.W. = Half-wave rectifier, F.W. = Full-wave rectifier

²⁾ Special coil on request

³⁾ Available using variant code 285

Rectifier input voltage (V_{AC})	Rectifier type ¹⁾	D.C. coil brake voltage (V)
110	F.W.	102 ²⁾
220	F.W.	205
230	F.W.	205
240	F.W.	205
250	F.W.	223 ²⁾
254	F.W.	223 ²⁾
380	H.W.	178
400	H.W.	178
415	H.W.	178
420	H.W.	178
440	H.W.	205
500	H.W.	223 ²⁾
24 V_{DC}	None	24 ³⁾

7

Brake data tables

Table 1.

Brake motor size		63 A/B	71	80	90	100	112	132	160/180 2 p	4-8 p
Brake type		75.5	88.6	100.6	120.6	140.6	155.6	170.6	206.6	
Rated torque ¹⁾	T_{Bnom} (Nm)	7.5	10	24	35	44	86	130	200	230
Delivered torque ²⁾	T_{Bdel} (Nm)	4	8	21	30	38	72	120	130	200
Nominal air gap	X (mm)	0.2	0.2	0.25	0.35	0.4	0.4	0.4	0.4	
Minimum permissible brake disc thickness	(mm)	3.5	3.5	5	5.5	6	6	7.5	8.5	
Recommended air gap readjustment	X_n (mm)	0.5	0.5	0.6	0.7	0.8	0.8	0.8	0.9	
Thickness of new brake disc	E_m (mm)	5.5	6	7.5	8.5	9.5	9.5	11	13	
Tightening torque: bolt	C_s (Nm)	6	6	12	12	30	30	30	50	
Input coil:										
- AC brake motor	(VA)	60	110	160	250	500	700	990	2000	
- DC brake motor	(W)	30	32	45	72	91	100	120	170	
Friction work per operation	WR_{max} (J)	1×10^3	1.5×10^3	2×10^3	3.5×10^3	6.6×10^3	8×10^3	1.1×10^4	2×10^4	
Friction work	PR_{max} (J/h)	3×10^5	3.5×10^5	4.5×10^5	7×10^5	9×10^5	9.5×10^5	1×10^6	1.2×10^6	
Operation for thickness wear of 0.1 mm	$WR_{0.1}$ (J)	7×10^6	10×10^6	15×10^6	17×10^6	31×10^6	31.5×10^6	48×10^6	80×10^6	
Moment of inertia	J (kgm ²)	1.5×10^{-5}	3.7×10^{-5}	7.5×10^{-5}	2×10^{-4}	3.7×10^{-4}	6.2×10^{-4}	10.4×10^{-4}	26.4×10^{-4}	
Weight	(kg)	0.8	1	1.6	2.7	4	5.2	9	16.2	

¹⁾ Braking torque after performing 10.000-15.000 operations.

²⁾ Delivered torque : Torque value marked on rating plate corresponding to the braking torque when the brake motor leaves the ABB factory. Tolerance of +/-10% of this value is accepted. Ambient conditions, temperature on friction surfaces, brake motor positioning and transport applied on the product can affect this value.

In general, all the variables mentioned above can affect the braking torque values, so if an accurate value is needed, ABB recommends it is measured in the real application. This allows adjustment to the required value by using the torque regulation facility.

Table 2.

Braking (t_{21}) and release (t_1) times

Brake motor sizes		63 A/B	71	80	90	100	112	132	160/180	
Brake type		75.5	88.6	100.6	120.6	140.6	155.6	170.6	206.6	
AC brake coil										
- release time	t_1 (ms)	5	6.6	5	5.1	5.5	5	5	5.5	
- standard braking time	t_{21} (ms)	25	25	30	40	50	50	65	105	
- fast braking time	t_{21f} (ms)	10	10	10	10	10	10	10	10	
DC brake coil										
- release time	t_1 (ms)	20	20	25	35	40	50	60	100	
- std connection time	t'_{21} (ms)	150	170	210	330	420	720	850	930	
- reconnection time	t_{21} (ms)	30	35	45	70	90	155	190	150	

When fast braking in AC brake is used, the contactor that is operating the coil of the brake has to be over dimensioned taking in consideration a high inductive load.

Calculations

Maximum number of connections per hour

The connection frequency that may be achieved with the motors is limited by the temperature rise that they undergo both in the coil and in the rotor. The brakes are designed so that they may withstand the kinds of duty for which these motors are intended.

The maximum number of connections per hour depends on:

- the power P_2 required after reaching the rated speed, i.e. the relative load P with regard to the rated power P_n .

$$P = \frac{P_2}{P_n} \times 100 \%$$

- the total inertia J in kgm^2 of the mass to be accelerated (inertia of the rotor J_m as per catalogue, plus the additional inertia J_b of the driven machine) in relation to the motor shaft, that is, J_b multiplied by the square of the coefficient of the load speed divided by the motor speed.

$$J = J_m + J_b \times \left[\frac{n_b}{n_m} \right]^2$$

- the relative duration factor for service S4.

$$S4 = \frac{\text{connection time}}{\text{connection time} + \text{downtime}} \times 100 \text{ in } \%$$

For calculations of the maximum number of connections/hour, please consult ABB.

Required data:

- Type of brake motor
- Load inertia reduced at motor shaft
- Required power P_2
- Type of service

Options

Separate brake supply

For brakes which need an independent supply, please note the variant code 086 and the voltage for feeding the brake. When the motor is supplied via a frequency converter, both in the case of DC and AC, the brake should be supplied separately at rated voltage (constant). The separate brake supply can be connected directly, no separate terminal box is needed.

Dust protection

To protect the brake disc against dust, the brake can be supplied with a rubber protection ring and V-ring.

Variant code 213 should be stated in the order.

Permitted friction work per operation

Friction work per operation must not exceed the WR_{\max} values stated in brake data table 1.

$$WR = \frac{1}{2} \times J \left[\frac{\pi \times n_m}{30} \right]^2 \text{ in joules}$$

Friction work per hour

The friction work can be calculated if the number of operations per hour is known.

This value must be equal to or less than the PR_{\max} stated in brake data table 1.

$$PR = WR \times c/h$$

Braking time

The total braking time from the disconnecting of brake until the machine is stopped is calculated as follows:

$$t = 104.6 \times \frac{J \times n_m}{T_B} + t_{21}$$

t and t_{21} are in ms

Maximum number of operations until wear of 0.1 mm

The service life, expressed in switching operations, can be calculated with the aid of the values $WR_{0.1}$ given in brake data table 1.

$$L_{0.1} = \frac{WR_{0.1}}{WR}$$

Number of operations before readjusting the air gap

With the X_n values in table 1 we can calculate the number of required operations until the readjustment of air gap becomes necessary.

$$Ln = \frac{X_n - X}{0.1} \times L_{0.1}$$

Braking torque reduction

Reduced braking torque range, from 60% up to 33%, is available by using variant code 087.

Protective roof

To protect motors from accumulation of water, ice or snow when installed outdoors in the vertical position and with the shaft downwards, the assembly should be fitted with a protective roof.

Variant code 005 should in this case be stated in the order.

Ordering information

When placing an order, please state the following minimum data in the order, as in the example.

The product code of the motor is composed in accordance with the following example.

Motor type	M3ARF 112M
Pole number	4
Mounting arrangement (IM-code)	IM B3 (IM 1001)
Rated output	4 kW
Product code	3GAR112401-ADE
Variant codes if needed	
Brake information	

A	B	C	D,E,F, G				
M3ARF	112 M	3GAR 112 401 -	ADE, 088 etc.				
		<table border="1" style="border-collapse: collapse; width: 100%; text-align: center;"> <tr> <td style="width: 25%;">1 - 4</td> <td style="width: 25%;">5 - 6 7</td> <td style="width: 25%;">8 - 10</td> <td style="width: 25%;">11 12 13 14</td> </tr> </table>	1 - 4	5 - 6 7	8 - 10	11 12 13 14	
1 - 4	5 - 6 7	8 - 10	11 12 13 14				
				<p>A Motor type M3VRF/M3ARF (DC brake) M3VRS/M3ARS (AC brake)</p> <p>B Motor size</p> <p>C Product code</p> <p>D Mounting arrangement code</p> <p>E Voltage/frequency code</p> <p>F Generation code</p> <p>G Variant code</p>			

Explanation of the product code:

Positions 1 to 4

3GAA = Totally enclosed motor, aluminum frame

3GVA = Totally enclosed motor, aluminum frame, alternative design

Position 4

R = Brake motor

Positions 5 and 6

IEC-size

06 = 63 **12** = 112

07 = 71 **13** = 132

08 = 80 **16** = 160

09 = 90 **18** = 180

10 = 100

Position 7

Speed (Pole pairs)

1 = 2 poles **6** = 12 poles

2 = 4 poles **7** = > 12 poles

3 = 6 poles **8** = Two-speed motors

4 = 8 poles **9** = Multi-speed motors

5 = 10 poles

Position 8 to 10

Serial number

Position 11

- (dash)

Position 12

Mounting arrangement

A = Foot-mounted.

B = Flange-mounted. Large aluminum flange with clearance holes, sizes 63-100 and 180.

C = Flange-mounted. Small aluminum flange with tapped holes, sizes 63-100.

E = Flange-mounted. Large cast iron flange with clearance holes, sizes 112-160.

H = Foot- and flange-mounted. Large aluminum flange with clearance holes, sizes 63-100 and 180.

J = Foot- and flange-mounted. Small aluminum flange with tapped holes, sizes 63-100.

K = Foot- and flange-mounted. Large cast iron flange with clearance holes, sizes 112-160.

N = Flange mounted. Two piece cast iron flange (IEC-1) with clearance holes, sizes 90-132.

P = Foot- and flange-mounted. Two piece cast iron flange (IEC) with clearance holes, sizes 90-132.

Position 13

Voltage and frequency code

See table below

Position 14

Generation code = **C** (size 63), **E** (sizes 71-180)

The product code must be, if needed, followed by variant codes.

General purpose brake motors

Technical data for single-speed DC brake motors

IP 55 – IC 411 – Insulation class F, temperature rise class B – Brake IP 23 S

Output kW	Motor type	Product code	Torque				Efficiency		Power factor cos φ	Current			Moment of inertia J=1/4GD ² kgm ²	Weight foot mounted kg	
			Speed r/min	TN Nm	TB Nm	TS/TN	K ¹⁾	100%		75%	IN A	IS/IN			c/h ²⁾
3000 r/min = 2 pole			400 V 50 Hz						Basic design						
0.18	M3VRF 63 A	3GVR 061 401-••C	2820	0.62	7.5	3.5	12.5	73.7	70.6	0.64	0.56	4.2	3500	0.00023	4.9
0.25	M3VRF 63 B	3GVR 061 402-••C	2810	0.87	7.5	3.6	8.33	77.5	75.8	0.71	0.66	4.5	3500	0.00026	5.4
0.37	M3VRF 71 A	3GVR 071 401-••E	2840	1.25	10	3.8	7.6	77.1	76.5	0.72	1	5.5	2600	0.00051	7
0.55	M3VRF 71 B	3GVR 071 402-••E	2830	1.86	10	3.6	5.26	79.2	78.2	0.76	1.35	5.7	2600	0.0006	8
0.75	M3VRF 80 A	3GVR 081 401-••E	2870	2.49	24	2.9	9.6	81.2	79.3	0.75	1.8	6.2	2000	0.00074	11
1.1	M3VRF 80 B	3GVR 081 402-••E	2850	3.69	24	2.3	6.48	81.4	79.5	0.78	2.5	6.1	2000	0.00078	12
1.5	M3ARF 90 S	3GAR 091 401-••E	2870	5	35	2.4	7	80.1	76.2	0.82	3.35	5.5	1300	0.0021	19
2.2	M3ARF 90 L	3GAR 091 402-••E	2880	7.5	35	2.7	4.7	83.6	83.9	0.87	4.37	7.0	1200	0.0026	22
3	M3ARF 100 L	3GAR 101 401-••E	2900	10	44	2.7	4.4	86.0	84.1	0.88	5.95	7.5	1000	0.00453	32
4	M3ARF 112 M	3GAR 111 401-••E	2850	13.4	86	2.8	6.41	86.0	86.2	0.91	7.4	7.5	500	0.01078	38
5.5	M3ARF 132 SA	3GAR 131 401-••E	2855	18.4	130	3.2	7.06	86.0	86.6	0.88	10.5	7.8	600	0.01657	57
7.5	M3ARF 132 SB	3GAR 131 402-••E	2860	25.1	130	3.4	5.17	88.0	86.2	0.89	13.9	8.5	500	0.01857	62
11	M3ARF 160 MA	3GAR 161 411-••E	2915	36	200	2.1	5.55	88.4	88.0	0.88	20.5	6.1	200	0.05096	124
15	M3ARF 160 M	3GAR 161 412-••E	2900	49	200	2.3	4.1	89.4	89.7	0.90	27	6.0	200	0.05596	134
18.5	M3ARF 160 L	3GAR 161 413-••E	2915	60	200	2.5	3.3	90.4	90.7	0.91	32.5	6.7	200	0.06396	139
22	M3ARF 180 M	3GAR 181 411-••E	2925	72	200	3.0	2.8	91.5	91.7	0.89	39	8.0	120	0.06264	158
3000 r/min = 2 pole			400 V 50 Hz						High-output design						
0.37	M3VRF 63 BB	3GVR 061 403-••C	2800	1.29	7.5	2.3	5.76	73.6	73.1	0.81	0.9	3.5	3500	0.00027	5.9
0.68	M3VRF 71 BB	3GVR 071 403-••E	2800	2.33	10	3.2	4.34	78.9	77.4	0.82	1.59	5.2	2400	0.0006	8
0.75	M3VRF 71 BC	3GVR 071 404-••E	2800	2.57	10	3.1	3.84	78.5	77.9	0.85	1.7	5.1	2400	0.0006	8
1.5	M3VRF 80 C	3GVR 081 403-••E	2840	5.13	24	2.8	4.7	82.4	82.2	0.83	3.16	5.5	1800	0.00111	13
2.7	³⁾ M3ARF 90 LB	3GAR 091 403-••E	2860	9	35	2.6	3.88	80.7	83.5	0.86	5.7	7.0	1200	0.0029	24
4	³⁾ M3ARF 100 LB	3GAR 101 402-••E	2900	13	44	2.7	3.38	85.0	84.3	0.86	8.1	7.5	1000	0.00543	36
5.5	³⁾ M3ARF 112 MB	3GAR 111 402-••E	2855	18.4	86	2.7	4.67	86.5	87.1	0.93	9.9	7.3	500	0.01273	66
9.2	³⁾ M3ARF 132 SBB	3GAR 131 404-••E	2825	31.1	130	3.2	4.18	86.0	88.2	0.93	16.6	7.3	500	0.02457	77
11	³⁾ M3ARF 132 SC	3GAR 131 403-••E	2835	37	130	3.2	3.51	87.0	87.4	0.93	19.6	8.0	500	0.02383	77
22	³⁾ M3ARF 160 LB	3GAR 161 404-••E	2920	72	200	2.6	2.77	92.1	93.0	0.91	38	7.1	200	0.06896	145

¹⁾ Braking-torque ratio ²⁾ No-load (shaft-free) operations/hour ³⁾ Temperature rise class F.

The bullets in the product code indicate choice of mounting arrangement and voltage and frequency code, see below and ordering information page.

Code letters for supplementing product code for mounting arrangement:

Foot-mounted	A
Flange-mounted, 1 flange	B for frame sizes 63-100, 180; E for frame sizes 112-160.
Flange-mounted, 2 flanges	N for frame sizes 90-132
Flange-mounted, small flange	C for frame sizes 63-100

Code letters for supplementing product code for voltage and frequency (pos 13):

Motor size	S Motor		Brake (input rectifier voltage/brake voltage)	D Motor		Brake (input rectifier voltage/brake voltage)	X
	50 Hz	60 Hz		50 Hz	60 Hz		
63-132	220-240 VΔ 380-420 VY	250-280 VΔ	220-240 V/205 V d.c.	380-420 VΔ 660-690 VY	440-480 VΔ –	380-420 V/178 V d.c.	Any other rated voltage or frequency, 690 V maximum connection for motor and 500 V for brake (input rectifier)
160-180	230 VΔ 400 VY	265 VΔ	230 V/205 V d.c.	400 VΔ 690 VY	460 VΔ –	400 V/178 V d.c.	
Motor size	E Motor		Brake (input rectifier voltage/brake voltage)	F Motor		Brake (input rectifier voltage/brake voltage)	
50 Hz				50 Hz			
63-80	–		–	500 VY		500 V/223 V d.c.	
90-180	500 VΔ		500 V/223 V d.c.	500 VY		500 V/223 V d.c.	

General purpose brake motors

Technical data for single-speed DC brake motors

IP 55 – IC 411 – Insulation class F, temperature rise class B – Brake IP 23 S

Output kW	Motor type	Product code	Speed r/min	Torque			Efficiency		Power factor cos φ	Current			Moment of inertia J=1/4GD ² kgm ²	Weight foot mounted kg	
				TN Nm	TB Nm	TS/ TN	K ¹⁾	100%		75%	IN A	IS/IN			c/h ²⁾
1500 r/min = 4 poles			400 V 50 Hz						Basic design						
0.12	M3VRF 63 A	3GVR 062 401-••C	1400	0.82	7.5	2.6	9.37	63.7	58.4	0.59	0.46	3.1	7100	0.00029	5
0.18	M3VRF 63 B	3GVR 062 402-••C	1380	1.25	7.5	2.5	5.76	65.6	62.1	0.64	0.63	3.1	7100	0.00036	5.5
0.25	M3VRF 71 A	3GVR 072 401-••E	1410	1.71	10	2.7	5.88	70.4	69.1	0.71	0.74	4.3	6500	0.00081	7
0.37	M3VRF 71 B	3GVR 072 402-••E	1420	2.51	10	2.6	4	74.6	72.1	0.69	1.05	4.4	6500	0.00104	8
0.55	M3VRF 80 A	3GVR 082 401-••E	1390	3.75	24	2.6	6.31	75.3	73.1	0.76	1.4	4.6	5000	0.00128	11
0.75	M3VRF 80 B	3GVR 082 402-••E	1410	5.08	24	3.5	4.7	78.2	75.6	0.74	1.9	4.7	5000	0.00159	12
1.1	M3ARF 90 S	3GAR 092 401-••E	1410	7.5	35	2.2	4.66	77.5	76.4	0.81	2.59	5.0	3200	0.0034	19
1.5	M3ARF 90 L	3GAR 092 402-••E	1420	10	35	2.4	3.5	80.3	78.1	0.79	3.45	5.0	3200	0.0045	22
2.2	M3ARF 100 LA	3GAR 102 401-••E	1430	15	44	2.4	2.93	83	82.7	0.81	4.8	5.5	2700	0.00733	32
3	M3ARF 100 LB	3GAR 102 402-••E	1430	20	44	2.5	2.2	85	83.9	0.81	6.48	5.5	2700	0.00863	35
4	M3ARF 112 M	3GAR 112 401-••E	1435	26.6	86	2.9	3.23	84.5	83.9	0.80	8.6	7.0	2500	0.01578	40
5.5	M3ARF 132 S	3GAR 132 401-••E	1450	36.2	130	2.2	3.59	87	87.7	0.83	11.1	7.3	1800	0.03357	60
7.5	M3ARF 132 M	3GAR 132 402-••E	1450	49.4	130	2.5	2.63	88	88.6	0.83	14.8	7.9	1400	0.04057	68
11	M3ARF 160 M	3GAR 162 411-••E	1465	72	230	2.4	3.2	88.4	88.8	0.78	22.5	6.9	500	0.07696	117
15	M3ARF 160 L	3GAR 162 412-••E	1460	98	230	2.8	2.3	90	90.5	0.82	29	7.2	500	0.08796	129
18.5	M3ARF 180 M	3GAR 182 411-••E	1455	121	230	2.6	1.9	90.4	90.4	0.84	35	7.0	360	0.10464	161
22	M3ARF 180 L	3GAR 182 412-••E	1460	144	230	3	1.6	91.1	91.5	0.82	42	8.0	360	0.12964	175
1500 r/min = 4 poles			400 V 50 Hz						High-output design						
0.25	M3VRF 63 BB	3GVR 062 403-••C	1370	1.75	7.5	2.5	4.16	70.3	67.4	0.67	0.78	3.2	7100	0.0004	6
0.45	M3VRF 71 BB	3GVR 072 403-••E	1390	3.11	10	2.1	3.22	75.5	75.3	0.76	1.15	4.1	6500	0.00104	8
0.55	M3VRF 71 C	3GVR 072 404-••E	1410	3.74	10	2.7	2.7	77.3	76.9	0.73	1.45	4.8	6500	0.00125	9
0.95	M3VRF 80 C	3GVR 082 403-••E	1410	6.44	24	2.9	3.75	78.9	77.9	0.75	2.35	4.3	500	0.00197	13
1.85	M3ARF 90 L	3GAR 092 403-••E	1390	13	35	2.2	2.69	79.5	78.1	0.80	4.4	4.5	3200	0.0045	22
2.2	M3ARF 90 LB	3GAR 092 404-••E	1390	15	35	2.2	2.33	80.3	81.0	0.83	4.85	4.5	3200	0.0048	23
4	M3ARF 100 LC	3GAR 102 403-••E	1420	27	44	2.5	1.62	81	81.7	0.82	8.65	5.5	2700	0.009	36
5.5	M3ARF 112 MB	3GAR 112 402-••E	1425	36.9	86	2.8	2.33	84.5	83.5	0.83	11.4	7.1	2500	0.018	47
9.2	M3ARF 132 MBA	3GAR 132 404-••E	1450	60	130	2	2.14	88	88.6	0.85	17.8	7.3	1400	0.05	83
11	M3ARF 132 MB	3GAR 132 403-••E	1450	72	130	2.5	1.79	88	89.4	0.86	21	8.3	500	0.05	83
18.5	M3ARF 160 LB	3GAR 162 403-••E	1450	122	230	2.9	1.88	90.5	88.9	0.84	36	6.9	500	0.107	143

¹⁾ Braking-torque ratio ²⁾ No-load (shaft-free) operations/hour ³⁾ Temperature rise class F.

The bullets in the product code indicate choice of mounting arrangement and voltage and frequency code, see below and ordering information page.

Code letters for supplementing product code for mounting arrangement:

Foot-mounted	A
Flange-mounted, 1 flange	B for frame sizes 63-100, 180; E for frame sizes 112-160.
Flange-mounted, 2 flanges	N for frame sizes 90-132
Flange-mounted, small flange	C for frame sizes 63-100

Code letters for supplementing product code for voltage and frequency (pos 13):

Motor size	S Motor		Brake (input rectifier voltage/brake voltage)	D Motor		Brake (input rectifier voltage/brake voltage)	X
	50 Hz	60 Hz		50 Hz	60 Hz		
63-132	220-240 VΔ 380-420 VY	250-280 VΔ	220-240 V/205 V d.c.	380-420 VΔ 660-690 VY	440-480 VΔ –	380-420 V/178 V d.c.	Any other rated voltage or frequency, 690 V maximum connection for motor and 500 V for brake (input rectifier)
160-180	230 VΔ 400 VY	265 VΔ	230 V/205 V d.c.	400 VΔ 690 VY	460 VΔ –	400 V/178 V d.c.	
Motor size	E Motor		Brake (input rectifier voltage/brake voltage)	F Motor		Brake (input rectifier voltage/brake voltage)	
	50 Hz			50 Hz			
63-80	–	–	–	500 VY	500 V/223 V d.c.		
90-180	500 VΔ	–	500 V/223 V d.c.	500 VY	500 V/223 V d.c.		

General purpose brake motors

Technical data for single-speed DC brake motors

IP 55 – IC 411 – Insulation class F, temperature rise class B – Brake IP 23 S

Output kW	Motor type	Product code	Speed r/min	Torque			K ¹⁾	Efficiency		Power factor cos φ	Current			Moment of inertia J=1/4GD ² kgm ²	Weight foot mounted kg
				TN Nm	TB Nm	TS/ TN		100%	75%		IN A	IS/IN	c/h ²⁾		
1000 r/min = 6 poles			400 V 50 Hz					Basic design							
0.09	M3VRF 63 A	3GVR 063 401-••C	910	0.95	7.5	2.1	7.89	47.1	42.5	0.56	0.51	2.1	7700	0.0003	5
0.12	M3VRF 63 B	3GVR 063 402-••C	860	1.27	7.5	1.8	5.9	56.0	53.5	0.55	0.56	2.4	7700	0.00037	5.5
0.18	M3VRF 71 A	3GVR 073 401-••E	920	1.88	10	2.1	5.31	61.1	57.7	0.69	0.64	2.9	7500	0.00078	7
0.25	M3VRF 71 B	3GVR 073 402-••E	920	2.61	10	2.5	3.84	64.9	62.3	0.65	0.86	3.2	7500	0.00096	8
0.37	M3VRF 80 A	3GVR 083 401-••E	925	3.82	24	3.1	6.28	72.9	70.8	0.72	1.04	3.8	7000	0.00186	11
0.55	M3VRF 80 B	3GVR 083 402-••E	925	5.68	24	2.9	4.22	73.3	71.9	0.71	1.55	3.4	7000	0.0022	12
0.75	M3ARF 90 S	3GAR 093 401-••E	930	7.5	35	1.9	4.66	71.5	70.7	0.67	2.36	4.0	3800	0.0034	19
1.1	M3ARF 90 L	3GAR 093 402-••E	930	11	35	2.1	3.18	74.4	72.5	0.69	3.25	4.0	3900	0.0045	22
1.5	M3ARF 100 L	3GAR 103 401-••E	950	15	44	1.9	2.93	80.0	77.0	0.71	3.92	4.5	3300	0.0086	34
2.2	M3ARF 112 M	3GAR 113 401-••E	940	22.3	86	2.1	3.85	80.5	79.3	0.74	5.4	5.6	3200	0.015	40
3	M3ARF 132 S	3GAR 133 401-••E	960	29.8	130	2.0	4.36	84.5	82.7	0.75	6.9	6.1	2400	0.033	59
4	M3ARF 132 MA	3GAR 133 402-••E	960	39.7	130	2.0	3.27	85.5	83.1	0.78	8.7	7.1	1900	0.04	66
5.5	M3ARF 132 MB	3GAR 133 403-••E	955	55	130	2.2	2.36	86.0	85.0	0.78	11.9	6.9	1900	0.047	74
7.5	M3ARF 160 M	3GAR 163 401-••E	970	74	230	2.0	3.14	89.3	88.4	0.79	15.4	6.7	600	0.087	129
11	M3ARF 160 L	3GAR 163 402-••E	970	109	230	2.2	2.13	89.8	88.5	0.78	23	7.1	600	0.127	149

1000 r/min = 6 poles			400 V 50 Hz					High-output design							
0.15	M3VRF 63 BB	3GVR 063 403-••C	900	1.61	7.5	2.2	4.68	56.9	52.1	0.54	0.74	2.2	7700	0.00042	6
0.32	M3VRF 71 C	3GVR 073 403-••E	920	3.33	10	2.6	3.1	64.8	61.6	0.63	1.15	3.2	7500	0.00125	9
1.3	³⁾ M3ARF 90 LB	3GAR 093 403-••E	910	13.5	35	1.9	2.59	69.0	69.0	0.71	3.85	4.0	3800	0.005	24
2.2	³⁾ M3ARF 100 LC	3GAR 103 402-••E	940	22	44	1.9	2	77.0	72.8	0.71	5.9	4.5	3300	0.009	37
3	³⁾ M3ARF 112 MB	3GAR 113 402-••E	935	30.6	86	2.0	2.81	80.0	79.9	0.76	7.2	5.5	3200	0.018	46
6.5	³⁾ M3ARF 132 MC	3GAR 133 404-••E	960	64	130	2.0	2.01	85.0	84.5	0.75	14.8	6.6	2400	0.051	79
14	³⁾ M3ARF 160 LB	3GAR 163 403-••E	960	139	230	2.7	1.65	89.1	84.5	0.77	29.5	7.6	1900	0.147	164

¹⁾ Braking-torque ratio

²⁾ No-load (shaft-free) operations/hour

³⁾ Temperature rise class F.

The bullets in the product code indicate choice of mounting arrangement and voltage and frequency code, see below and ordering information page.

Code letters for supplementing product code for mounting arrangement:

Foot-mounted	A
Flange-mounted, 1 flange	B for frame sizes 63-100, 180; E for frame sizes 112-160.
Flange-mounted, 2 flanges	N for frame sizes 90-132
Flange-mounted, small flange	C for frame sizes 63-100

Code letters for supplementing product code for voltage and frequency (pos 13):

Motor size	S Motor		Brake (input rectifier voltage/brake voltage)	D Motor		Brake (input rectifier voltage/brake voltage)	X
	50 Hz	60 Hz		50 Hz	60 Hz		
63-132	220-240 VΔ 380-420 VY	250-280 VΔ	220-240 V/205 V d.c.	380-420 VΔ 660-690 VY	440-480 VΔ –	380-420 V/178 V d.c.	Any other rated voltage or frequency, 690 V maximum connection for motor and 500 V for brake (input rectifier)
160-180	230 VΔ 400 VY	265 VΔ	230 V/205 V d.c.	400 VΔ 690 VY	460 VΔ –	400 V/178 V d.c.	
Motor size	E Motor		Brake (input rectifier voltage/brake voltage)	F Motor		Brake (input rectifier voltage/brake voltage)	
	50 Hz			50 Hz			
63-80	–	–	–	500 VY	–	500 V/223 V d.c.	
90-180	500 VΔ	–	500 V/223 V d.c.	500 VY	–	500 V/223 V d.c.	

General purpose brake motors

Technical data for single-speed DC brake motors

IP 55 – IC 411 – Insulation class F, temperature rise class B – Brake IP 23 S

Output kW	Motor type	Product code	Speed r/min	Torque			K ¹⁾	Efficiency		Power factor cos φ	Current			Moment of inertia J=1/4GD ² kgm ²	Weight foot mounted kg
				TN Nm	TB Nm	TS/TN		100%	75%		IN A	IS/IN	c/h ²⁾		
750 r/min = 8 poles				400 V 50 Hz				Basic design							
0.055	M3VRF 63 B	3GVR 064 401-••C	680	0.78	7.5	2.1	9.4	38.3	31.8	0.48	0.45	1.8	7700	0.00037	5.5
0.09	M3VRF 71 A	3GVR 074 401-••E	690	1.25	10	2.3	7.69	45.8	37.5	0.57	0.52	2.2	7500	0.00078	7
0.12	M3VRF 71 B	3GVR 074 402-••E	690	1.67	10	2.5	5.88	46.4	38.1	0.55	0.69	2.2	7500	0.00096	8
0.18	M3VRF 80 A	3GVR 084 401-••E	700	2.46	24	3.2	9.6	59.9	54.5	0.60	0.75	3.1	7500	0.0022	11
0.25	M3VRF 80 B	3GVR 084 402-••E	700	3.52	24	2.9	6.85	70.7	67.4	0.62	0.85	3.1	7500	0.00245	12
0.37	M3ARF 90 S	3GAR 094 401-••E	700	5	35	1.9	7	61.5	43.4	0.56	1.6	3.0	4100	0.0032	19
0.55	M3ARF 90 L	3GAR 094 402-••E	690	7.5	35	1.7	4.66	62.9	56.4	0.57	2.35	3.0	4100	0.0045	22
0.75	M3ARF 100 LA	3GAR 104 401-••E	700	10	44	2.1	4.4	72.0	63.6	0.59	2.55	3.5	3600	0.0073	31
1.1	M3ARF 100 LB	3GAR 104 402-••E	700	15	44	2.1	2.93	73.0	68.8	0.64	3.35	3.5	3700	0.0086	34
1.5	M3ARF 112 M	3GAR 114 401-••E	695	20.6	86	1.9	4.17	74.5	75.9	0.65	4.5	4.1	3600	0.016	41
2.2	M3ARF 132 S	3GAR 134 401-••E	720	29.2	130	1.6	4.45	80.5	77.8	0.67	5.9	5.3	3000	0.04	66
3	M3ARF 132 M	3GAR 134 402-••E	720	39.8	130	1.8	3.26	82.0	79.2	0.68	7.8	5.5	2600	0.047	73
4	M3ARF 160 MA	3GAR 164 401-••E	715	54	230	2.1	4.39	84.1	81.1	0.69	10	5.2	600	0.11	139
5.5	M3ARF 160 M	3GAR 164 402-••E	710	74	230	2.4	3.17	84.7	75.0	0.70	13.4	5.4	600	0.11	139
7.5	M3ARF 160 L	3GAR 164 403-••E	715	100	230	2.4	2.31	86.3	82.4	0.70	18.1	5.4	600	0.127	154

¹⁾ Braking-torque ratio

²⁾ No-load (shaft-free) operations/hour

³⁾ Temperature rise class F.

The bullets in the product code indicate choice of mounting arrangement and voltage and frequency code, see below and ordering information page.

Code letters for supplementing product code for mounting arrangement:

Foot-mounted	A
Flange-mounted, 1 flange	B for frame sizes 63-100, 180; E for frame sizes 112-160.
Flange-mounted, 2 flanges	N for frame sizes 90-132
Flange-mounted, small flange	C for frame sizes 63-100

Code letters for supplementing product code for voltage and frequency (pos 13):

Motor size	S			D			X
	Motor	Brake (input rectifier voltage/brake voltage)	Brake (input rectifier voltage/brake voltage)	Motor	Brake (input rectifier voltage/brake voltage)	Brake (input rectifier voltage/brake voltage)	
	50 Hz	60 Hz		50 Hz	60 Hz		
63-132	220-240 VΔ 380-420 VY	250-280 VΔ	220-240 V/205 V d.c.	380-420 VΔ 660-690 VY	440-480 VΔ	380-420 V/178 V d.c.	Any other rated voltage or frequency, 690 V maximum connection for motor and 500 V for brake (input rectifier)
160-180	230 VΔ 400 VY	265 VΔ	230 V/205 V d.c.	400 VΔ 690 VY	460 VΔ	400 V/178 V d.c.	
Motor size	E			F			
	Motor	Brake (input rectifier voltage/brake voltage)	Brake (input rectifier voltage/brake voltage)	Motor	Brake (input rectifier voltage/brake voltage)	Brake (input rectifier voltage/brake voltage)	
	50 Hz			50 Hz			
63-80	–	–	–	500 VY	500 VY	500 V/223 V d.c.	
90-180	500 VΔ	–	500 V/223 V d.c.	500 VY	–	500 V/223 V d.c.	

General purpose brake motors

Technical data for two-speed DC brake motors

IP 55 – IC 411 – Insulation class F, temperature rise class F – Brake IP 23 S

Output kW	Motor type	Product code	Speed r/min	Torque				Efficiency %	Power factor cos φ	Current		Moment of inertia J=1/4GD ² kgm ²	Weight IM 1001 kg
				TN Nm	braking TB Nm	TS/TN	K ¹⁾			IN	IS/IN A		
3000/1500 r/min = 2/4 poles 400 V 50 Hz				Constant torque, two separate windings									
1.1/0.55	M3ARF 90 S	3GAR 098 401-••E	2900/1450	3.6/3.6	35	1.4/1.5	9.7/9.7	74/62	0.85/0.64	2.5/2	5.1/3.6	0.0019	20
1.5/0.75	M3ARF 90 L	3GAR 098 402-••E	2900/1450	4.9/4.9	35	1.5/1.5	7.1/7.1	77/70	0.87/0.67	3.3/2.4	5.7/4.1	0.0024	23
2.0/1.0	M3ARF 100 L	3GAR 108 401-••E	2900/1460	6.5/6.5	44	1.9/1.4	7.7/7.7	76/67	0.89/0.66	4.3/3.3	6.2/4	0.0041	32
2.6/1.3	M3ARF 112 M	3GAR 118 401-••E	2900/1460	8.6/8.5	86	1.6/1.6	10/9.9	80/75	0.92/0.72	5.1/3.5	6.4/5	0.012	45
4.4/2.2	M3ARF 132 SB	3GAR 138 401-••E	2925/1450	14.4/14.5	130	2/1.3	10.4/10	81/74	0.86/0.73	9.1/5.9	7.3/4.5	0.016	55
5.6/2.8	M3ARF 132 M	3GAR 138 402-••E	2885/1440	18.5/18.6	130	1.8/1.4	8.1/8.1	82/77	0.93/0.75	10.6/7	6.7/5	0.022	76
3000/1500 r/min = 2-4 poles 400 V 50 Hz				Constant torque, Dahlander connection									
0.2/0.15	M3VRF 63 A	3GVR 068 401-••C	2800/1400	0.68/1.02	7.5	2.1/2	11/7.4	63/54	0.7/0.63	0.65/0.65	3.6/2.8	0.00019	5
0.3/0.2	M3VRF 63 B	3GVR 068 402-••C	2740/1370	1.05/1.4	7.5	1.7/2.1	7.1/5.4	59/55	0.78/0.63	0.95/0.85	2.8/2.8	0.00026	5.5
0.37/0.25	M3VRF 71 A	3GVR 078 401-••E	2700/1390	1.3/1.72	10	1.9/1.5	9.2/7	64/60	0.89/0.79	0.95/0.7	3.3/3.1	0.00066	7
0.48/0.31	M3VRF 71 B	3GVR 078 402-••E	2780/1400	1.66/2.15	10	1.4/2	7.1/5.6	68/68	0.91/0.76	1.2/0.9	3.6/4	0.00089	8
0.55/0.37	M3VRF 71 C	3GVR 078 403-••E	2800/1400	1.87/2.52	10	1.8/1.9	6.4/4.8	66/64	0.8/0.65	1.5/1.2	4.7/4.3	0.0011	8.5
0.63/0.5	M3VRF 80 A	3GVR 088 401-••E	2690/1400	2.25/3.42	24	1.8/1.9	7.6/5.5	66/67	0.87/0.79	1.6/1.35	3.6/4.2	0.0013	11
0.85/0.65	M3VRF 80 B	3GVR 088 402-••E	2725/1405	2.99/4.43	24	1.9/2	5.4/3.6	70/70	0.88/0.8	2/1.7	4/4.4	0.0016	12.5
1.1/0.8	M3VRF 80 C	3GVR 088 403-••E	2730/1410	3.8/5.38	24	2/2	4.7/3.3	72/71	0.88/0.79	2.55/2.05	4.2/4.7	0.002	13
1.3/1	M3ARF 90 S	3GAR 098 403-••E	2730/1400	4.5/6.8	35	2/1.5	7.8/5.1	71/71	0.88/0.8	3.1/2.6	3.9/3.8	0.0032	20
1.9/1.5	M3ARF 90 L	3GAR 098 404-••E	2820/1420	6.4/10	35	2.8/2	5.5/3.5	74/75	0.82/0.76	4.4/3.9	5.1/4.4	0.0043	23
2.5/2.1	M3ARF 100 LA	3GAR 108 402-••E	2800/1430	8.5/14	44	2.2/1.6	5.9/3.6	68/76	0.88/0.81	6/5	4.8/4.4	0.0069	32
3.4/2.5	M3ARF 100 LB	3GAR 108 403-••E	2810/1430	11.5/18	44	2.2/1.9	4.3/2.7	78/80	0.88/0.85	7.2/5.9	5.3/5.4	0.0082	35
4/2.6	M3ARF 112 M	3GAR 118 402-••E	2865/1430	13.3/17.4	86	1.8/2.3	10/9.9	82/77	0.93/0.76	7.6/6.5	6.3/6.2	0.012	45
4.7/3.1	M3ARF 132 SB	3GAR 138 403-••E	2820/1420	15.9/20.8	130	1.8/2.2	10.4/10	79/77	0.92/0.76	9.2/7.7	5.5/5.7	0.016	55
6.3/4.4	M3ARF 132 SA	3GAR 138 411-••E	2895/1445	20.8/29	130	1.7/1.6	7.2/5.2	85/84	0.94/0.8	11.4/9.5	6.5/5.7	0.0155	58
7.2/4.8	M3ARF 132 M	3GAR 138 404-••E	2870/1435	24/31.9	130	2.4/2.5	6.3/4.7	84/81	0.92/0.76	13.3/11.5	7.1/6.2	0.022	76
8/6.2	M3ARF 132 SC	3GAR 138 412-••E	2910/1440	26.2/41.1	130	1.9/1.6	6.9/3.6	87/85	0.95/0.83	14/12.7	7.8/5.6	0.0215	78
9.6/7	M3ARF 132 MD	3GAR 138 413-••E	2900/1440	31.6/46.4	130	1.8/1.7	4.7/3.2	87/85	0.95/0.85	16.8/14.1	7.6/5.9	0.026	85
12.5/9	M3ARF 160 M	3GAR 168 404-••E	2890/1440	41/60	230	1.4/1.8	5.6/3.8	85.5/85.5	0.93/0.8	22.5/19	5.2/4.6	0.054	129
15/10.5	M3ARF 160 L	3GAR 168 405-••E	2900/1445	49/69	230	1.6/2.1	4.7/3.3	87/86	0.93/0.77	27/23	5.8/4.9	0.057	139
1500/1000 r/min = 4/6 poles 400 V 50 Hz				Constant torque, two separate windings									
0.11/0.08	M3VRF 63 B	3GVR 068 403-••C	1390/860	0.75/0.88	7.5	1.4/1.8	10/8.5	40/25	0.7/0.72	0.55/0.62	2.5/1.8	0.00026	5.5
0.3/0.2	M3VRF 71 A	3GVR 078 404-••E	1390/900	1.37/0.79	10	1.1/1.05	15.2/8.8	51/40	0.82/0.72	0.7/0.5	2.8/2	0.00066	7
0.37/0.22	M3VRF 71 B	3GVR 078 405-••E	1380/900	2.07/1.91	10	1/1.1	6.3/5.8	58/40	0.83/0.8	0.9/0.8	2.7/1.9	0.00089	8
0.43/0.28	M3VRF 80 A	3GVR 088 404-••E	1380/910	2.54/3.02	24	1.5/1.4	7.1/6	60/54	0.85/0.81	1.4/1.2	3.1/2.9	0.0019	12
0.58/0.37	M3VRF 80 B	3GVR 088 405-••E	1390/920	4/3.85	24	1.5/1.5	4/3.5	63/58	0.85/0.8	1.6/1.15	3.3/3.2	0.0022	12.5
0.8/0.5	M3ARF 90 S	3GAR 098 405-••E	1430/940	5.3/5	35	1.5/1.4	7/6.6	68/57	0.8/0.66	2.2/2	3.9/2.8	0.0032	20
1.2/0.75	M3ARF 90 L	3GAR 098 406-••E	1430/940	8/7.6	35	1.7/1.5	4.6/4.4	73/63	0.81/0.67	3/2.6	4.4/3.1	0.0043	23
1.5/0.9	M3ARF 100 LA	3GAR 108 404-••E	1440/960	9.9/8.9	44	1.5/1.5	5.6/5.1	75/69	0.84/0.65	3.5/3	4.7/3.8	0.0069	32
1.8/1.1	M3ARF 100 LB	3GAR 108 405-••E	1460/960	11/11	44	2.1/1.6	4.5/4.5	77/70	0.78/0.64	4.4/3.6	5.8/3.9	0.0082	35
2.6/1.7	M3ARF 112 M	3GAR 118 403-••E	1445/960	17.2/16.9	86	1.5/1.5	5/4.9	80/70	0.85/0.76	5.5/4.4	5.9/5.2	0.018	45
3.3/2.2	M3ARF 132 S	3GAR 138 405-••E	1470/980	21.4/21.4	130	1.4/1.2	7/7	82/76	0.8/0.65	7.1/6.4	6.8/4.6	0.038	61
4.5/3	M3ARF 132 M	3GAR 138 406-••E	1470/980	29.2/29.2	130	1.4/1.5	5.1/5.1	82/77	0.81/0.7	9.8/8	7.2/5.6	0.048	79
5.5/3.7	M3ARF 132 MD	3GAR 138 414-••E	1460/960	36/36.8	130	1.9/1.8	4.2/4.2	85/81	0.88/0.8	10.7/8.3	8/6.3	0.036	84
7.5/5.5	M3ARF 160 M	3GAR 168 406-••E	1465/965	49/54	230	2.1/1.8	3.1/2.7	85.5/80.5	0.83/0.77	15.5/13	7.1/4.7	0.089	129
11.5/8.5	M3ARF 160 L	3GAR 168 407-••E	1465/965	75/84	230	2.1/1.8	2.9/2.7	86.5/82.5	0.84/0.76	23/19.5	7/4.9	0.119	139

¹⁾ Braking-torque ratio

General purpose brake motors

Technical data for two-speed DC brake motors

IP 55 – IC 411 – Insulation class F, temperature rise class F – Brake IP 23 S

Output kW	Motor type	Product code	Speed r/min	Torque				Efficiency %	Power factor cos φ	Current		Moment of inertia J=1/4GD ² kgm ²	Weight IM 1001 kg
				rated TN Nm	braking TB Nm	TS/TN	K ¹⁾			IN	IS/IN A		
3000/750 r/min = 2/8 poles			400 V 50 Hz				Constant torque, two separate windings						
0.25/0.06	M3VRF 71 A	3GVR 078 408-••E	2760/660	0.86/0.86	10	1/1.3	14/14	52/36	0.94/0.7	0.75/0.35	2.9/1.9	0.00066	7
0.37/0.09	M3VRF 71 B	3GVR 078 409-••E	2800/660	1.26/1.3	10	1/1.6	9.5/9.2	68/41	0.87/0.65	0.9/0.5	2.8/2	0.00089	8
0.5/0.12	M3VRF 80 A	3GVR 088 409-••E	2730/700	1.78/1.64	24	1.3/2	10.9/9.6	60/38	0.87/0.58	1.4/0.8	3.2/2.3	0.0013	12.5
0.66/0.15	M3VRF 80 B	3GVR 088 410-••E	2780/700	2.55/2.45	24	1.4/2.2	7.3/7.1	65/40	0.87/0.58	1.65/0.95	3.8/2.5	0.0016	13
0.75/0.18	M3ARF 90 LA	3GAR 098 411-••E	2875/720	2.5/2.4	35	2.3/1.3	14/14	71.2/46.3	0.8/0.51	1.9/1.1	5.7/2.4	0.0043	23
1.3/0.33	M3ARF 90 LB	3GAR 098 412-••E	2780/690	4.4/4.5	35	1.8/1.2	8/8	71/52	0.92/0.62	2.9/1.5	4.5/2.3	0.0043	23
1.8/0.5	M3ARF 100 LB	3GAR 108 410-••E	2860/705	6.6/6.7	44	1.7/1.3	8.3/7.4	80/54	0.93/0.64	3.5/2.1	5.3/2.6	0.0082	35
2.2/0.59	M3ARF 112 MC	3GAR 118 406-••E	2900/720	7.2/7.8	86	2.4/1.6	11.8/11	78/62	0.87/0.55	4.9/2.5	7/3.5	0.015	42
3.3/0.95	M3ARF 132 SA	3GAR 138 415-••E	2940/730	10.7/12.4	130	2.6/1.2	14/12	81/72	0.95/0.52	6.2/3.7	9.5/4.3	0.0215	65
4.4/1.3	M3ARF 132 MC	3GAR 138 416-••E	2920/725	14.4/17.1	130	2.2/1.3	10.7/8.8	82/74	0.94/0.62	8.3/4.1	8.6/4	0.03	77
1500/750 r/min = 4/8 poles			400 V 50 Hz				Constant torque, two separate windings						
0.55/0.25	M3ARF 90 S	3GAR 098 407-••E	1450/700	3.6/3.4	35	1.3/1.4	10.3/9.7	62/51	0.78/0.59	1.9/1.2	4.2/2.3	0.0032	20
0.75/0.37	M3ARF 90 L	3GAR 098 408-••E	1450/700	4.9/5	35	1.4/1.5	7.1/7	66/57	0.75/0.57	2.2/1.7	4.1/2.5	0.0043	23
1.1/0.55	M3ARF 100 LA	3GAR 108 406-••E	1460/710	7.2/7.4	44	1.2/1.2	6.9/6.8	68/62	0.77/0.61	3.1/2.2	4.2/2.6	0.0069	32
1.5/0.75	M3ARF 100 LB	3GAR 108 407-••E	1440/700	9.8/10	44	1.3/1.2	5.1/5	72/60	0.82/0.6	3.7/2.9	4.6/2.7	0.0082	35
1.8/0.9	M3ARF 112 M	3GAR 118 404-••E	1460/715	11.7/12	86	1.2/1.6	7.3/7.1	77/65	0.76/0.66	4.4/3	6.5/4	0.018	45
2.5/1.3	M3ARF 132 S	3GAR 138 407-••E	1480/735	16.2/17	130	1.6/1.4	9.3/8.8	80/67	0.79/0.56	5.8/6	6/3.7	0.038	61
3.3/1.7	M3ARF 132 M	3GAR 138 408-••E	1470/725	21.4/22.4	130	1.6/1.4	7/6.7	81/71	0.79/0.58	7.5/6	7/4.2	0.048	79
1500/750 r/min = 4-8 poles			400 V 50 Hz				Constant torque, Dahlander connection						
0.11/0.06	M3VRF 63 B	3GVR 068 404-••C	1390/660	0.75/0.87	7.5	1.6/2.5	10/8.6	54/33	0.6/0.49	0.5/0.55	3/1.7	0.00026	5.5
0.18/0.11	M3VRF 71 A	3GVR 078 406-••E	1380/680	1.24/1.54	10	1.9/2.2	9.7/7.8	54/37	0.7/0.53	0.7/0.8	3.2/2.5	0.00066	7
0.3/0.15	M3VRF 71 B	3GVR 078 407-••E	1400/700	2.05/2.05	10	2/2.5	5.9/5.9	60/47	0.74/0.51	0.9/0.9	3.2/2.6	0.00089	8
0.45/0.25	M3VRF 80 A	3GVR 088 406-••E	1380/700	3.12/3.42	24	1.7/2.1	6.5/6	65/48	0.87/0.58	1.15/1.3	3.5/2.7	0.0019	11
0.63/0.33	M3VRF 80 B	3GVR 088 407-••E	1380/705	4.37/4.48	24	1.7/2.2	4/3.9	67/50	0.88/0.56	1.55/1.7	3.5/2.8	0.0022	12
0.75/0.37	M3VRF 80 C	3GVR 088 408-••E	1390/710	5.16/4.98	24	1.9/2.5	3.6/3.5	70/52	0.86/0.51	1.8/2	3.9/2.9	0.0025	12.5
0.7/0.37	M3ARF 90 S	3GAR 098 409-••E	1420/700	4.7/5.1	35	1.6/1.6	7.4/6.9	72/50	0.8/0.57	1.8/1.9	4.4/2.3	0.0032	20
1.1/0.55	M3ARF 90 L	3GAR 098 410-••E	1390/685	7.4/7.5	35	1.4/1.5	4.7/4.7	70/55	0.84/0.58	2.6/2.6	4.1/2.3	0.0043	23
1.5/0.75	M3ARF 100 LA	3GAR 108 408-••E	1440/710	10/10	44	1.4/1.5	5/5	76/62	0.85/0.57	3.4/3.2	4.6/2.8	0.0069	32
2/0.95	M3ARF 100 LB	3GAR 108 409-••E	1440/710	13/12	44	1.4/1.6	4.2/3.8	78/64	0.86/0.55	4.4/4	4.8/2.9	0.0082	35
2.5/1.5	M3ARF 112 M	3GAR 118 405-••E	1410/705	16.9/20.3	86	1.4/1.5	5/4.2	78/67	0.9/0.66	5.1/4.9	5.5/4.1	0.018	45
3.8/1.9	M3ARF 132 S	3GAR 138 409-••E	1450/730	25/24.9	130	1.4/1.3	6/6	82/70	0.84/0.52	7.7/7.6	5.6/3.7	0.038	61
5/2.5	M3ARF 132 M	3GAR 138 410-••E	1455/730	32.8/32.7	130	1.7/2	4.6/4.6	85/73	0.88/0.52	9.6/9.6	6.9/4.8	0.048	79
8/4.5	M3ARF 160 M	3GAR 168 410-••E	1440/730	53/59	230	1.3/1.4	4.3/3.9	84.5/79.5	0.86/0.6	16/13.5	4.5/3.4	0.089	129
12/7	M3ARF 160 L	3GAR 168 411-••E	1445/730	79/92	230	1.5/1.4	2.9/2.5	86.5/81	0.87/0.59	23/21	5/3.5	0.119	139

¹⁾ Braking-torque ratio

The bullets in the product code indicate choice of mounting arrangement and voltage and frequency code, see below and ordering information page.

Code letters for supplementing product code for mounting arrangement (pos 12):

Foot-mounted	A
Flange-mounted, 1 flange	B for frame sizes 63-100, 180; E for frame sizes 112-160.
Flange-mounted, 2 flanges	N for frame sizes 90-132
Flange-mounted, small flange	C for frame sizes 63-100

Code letters for supplementing product code for voltage and frequency (pos 13):

Motor size	A		B		S	
	Motor	Brake (input rectifier voltage/brake voltage)	Motor	Brake (input rectifier voltage/brake voltage)	Motor	Brake (input rectifier voltage/brake voltage)
63-132	50 Hz	50 Hz	50 Hz	50 Hz	220-230 V	220-230 V/205 V d.c.
160	220 V	220 V/205 V d.c.	380 V	380 V/178 V d.c.	230 V	230 V/205 V d.c.
Motor size	D		E		X	
	Motor	Brake (input rectifier voltage/brake voltage)	Motor	Brake (input rectifier voltage/brake voltage)	Any other rated voltage or frequency, 690 V maximum connection for motor and 500 V for brake (input rectifier)	
63-132	380-400 V	380-400 V/178 V d.c.	500 V	500 V/223 V d.c.		
160	400 V	400 V/178 V d.c.	500 V	500 V/223 V d.c.–		

General purpose brake motors

Technical data for single-speed motors with three phase AC brake

IP 55 – IC 411 – Insulation class F, temperature rise class B – Brake IP 23 S

Output kW	Motor type	Product code	Speed r/min	Torque			K ¹⁾	Efficiency		Power factor cos φ	Current			Moment of inertia J=1/4GD ² kgm ²	Weight foot mounted kg
				TN Nm	TB Nm	TS/TN		100%	75%		IN A	IS/IN	c/h ²⁾		
3000 r/min = 2 pole			400 V 50 Hz					Basic design							
0.18	M3VRS 63 A	3GVR 061 451-••C	2820	0.62	7.5	3.5	12.5	73.7	70.6	0.64	0.56	4.2	3500	0.00023	4.9
0.25	M3VRS 63 B	3GVR 061 452-••C	2810	0.87	7.5	3.6	8.33	77.5	75.8	0.71	0.66	4.5	3500	0.00026	5.4
0.37	M3VRS 71 A	3GVR 071 451-••E	2840	1.25	10	3.8	7.69	77.1	76.5	0.72	1	5.5	2600	0.00051	7
0.55	M3VRS 71 B	3GVR 071 452-••E	2830	1.86	10	3.6	5.26	79.2	78.2	0.76	1.35	5.7	2600	0.0006	8
0.75	M3VRS 80 A	3GVR 081 451-••E	2870	2.49	24	2.9	9.6	81.2	79.3	0.75	1.8	6.2	2000	0.00074	11
1.1	M3VRS 80 B	3GVR 081 452-••E	2850	3.69	24	2.3	6.48	81.4	79.5	0.78	2.5	6.1	2000	0.00078	12
1.5	M3ARS 90 S	3GAR 091 451-••E	2870	5	35	2.4	7	80.1	76.2	0.82	3.35	5.5	1300	0.0021	19
2.2	M3ARS 90 L	3GAR 091 452-••E	2880	7.5	35	2.7	4.6	83.6	83.9	0.87	4.37	7.0	1200	0.0026	22
3	M3ARS 100 L	3GAR 101 451-••E	2900	10	44	2.7	4.4	86.0	84.1	0.88	5.95	7.5	1000	0.00453	32
4	M3ARS 112 M	3GAR 111 451-••E	2850	13.4	86	2.8	6.41	86.0	86.2	0.91	7.4	7.5	500	0.01078	38
5.5	M3ARS 132 SA	3GAR 131 451-••E	2855	18.4	130	3.2	7.06	86.0	86.6	0.88	10.5	7.8	600	0.01657	57
7.5	M3ARS 132 SB	3GAR 131 452-••E	2860	25.1	130	3.4	5.17	88.0	86.2	0.89	13.9	8.5	500	0.01857	62
11	M3ARS 160 MA	3GAR 161 461-••E	2915	36	200	2.1	5.55	88.4	88.0	0.88	20.5	6.1	200	0.05096	124
15	M3ARS 160 M	3GAR 161 462-••E	2900	49	200	2.3	4.1	89.4	89.7	0.90	27	6.0	200	0.05596	134
18.5	M3ARS 160 L	3GAR 161 463-••E	2915	60	200	2.5	3.3	90.4	90.7	0.91	32.5	6.7	200	0.06396	139
22	M3ARS 180 M	3GAR 181 461-••E	2925	72	200	3	2.8	91.5	91.7	0.89	39	8.0	120	0.06264	158
3000 r/min = 2 pole			400 V 50 Hz					High-output design							
0.37	M3VRS 63 BB	3GVR 061 453-••C	2800	1.29	7.5	2.3	5.76	73.6	73.1	0.81	0.9	3.5	3500	0.00027	5.9
0.68	M3VRS 71 BB	3GVR 071 453-••E	2800	2.33	10	3.2	4.34	78.9	77.4	0.82	1.59	5.2	2400	0.0006	8
0.75	M3VRS 71 BC	3GVR 071 454-••E	2800	2.57	10	3.1	3.84	78.5	77.9	0.85	1.7	5.1	2400	0.0006	8
1.5	M3VRS 80 C	3GVR 081 453-••E	2840	5.13	24	2.8	4.7	82.4	82.2	0.83	3.16	5.5	1800	0.00111	13
2.7	³⁾ M3ARS 90 LB	3GAR 091 453-••E	2860	9	35	2.6	3.9	80.7	83.5	0.86	5.7	7.0	1200	0.0029	24
4	³⁾ M3ARS 100 LB	3GAR 101 452-••E	2900	13	44	2.7	3.38	85.0	84.3	0.86	8.1	7.5	1000	0.00543	36
5.5	³⁾ M3ARS 112 MB	3GAR 111 452-••E	2855	18.4	86	2.7	4.67	86.5	87.1	0.93	9.9	7.3	500	0.01273	66
9.2	³⁾ M3ARS 132 SBB	3GAR 131 454-••E	2825	31.1	130	3.2	4.18	86.0	88.2	0.93	16.6	7.3	500	0.02457	77
11	³⁾ M3ARS 132 SC	3GAR 131 453-••E	2835	37	130	3.2	3.51	87.0	87.4	0.93	19.6	8.0	500	0.02383	77
22	³⁾ M3ARS 160 LB	3GAR 161 454-••E	2920	72	200	2.6	2.77	92.1	93.0	0.91	38	7.1	200	0.06896	145

¹⁾ Braking-torque ratio ²⁾ No-load (shaft-free) operations/hour ³⁾ Temperature rise class F.

The bullets in the product code indicate choice of mounting arrangement and voltage and frequency code, see below and ordering information page.

Code letters for supplementing product code for mounting arrangement:

Foot-mounted	A
Flange-mounted, 1 flange	B for frame sizes 63-100, 180; E for frame sizes 112-160.
Flange-mounted, 2 flanges	N for frame sizes 90-132
Flange-mounted, small flange	C for frame sizes 63-100

Code letters for supplementing product code for voltage and frequency (pos 13):

Motor size	S				D				G		H		X
	Motor 50 Hz	Motor 60 Hz	Brake 50 Hz	Brake 60 Hz	Motor 50 Hz	Motor 60 Hz	Brake 50 Hz	Brake 60 Hz	Motor 50 Hz	Motor 50 Hz	Motor 50 Hz	Motor 50 Hz	
63-132	220-240 VΔ 380-420 VY	250-280 VΔ 440-480 VY	230 VΔ 400 VY	265 VΔ 460 VY	380-420 VΔ 660-690 VY	440-480 VΔ -	400 VΔ 690 VY	460 VΔ -	-	-	-	-	Any other rated voltage or frequency, 690V maximum
160-180	230 VΔ 400 VY	265 VΔ 460 VY	230 VΔ 400 VY	265 VΔ 460 VY	400 VΔ 690 VY	460 VΔ -	400 VΔ 690 VY	460 VΔ -	415 VY	415 VY	415 VΔ	415 VΔ	

General purpose brake motors

Technical data for single-speed motors with three phase AC brake

IP 55 – IC 411 – Insulation class F, temperature rise class B – Brake IP 23 S

Output kW	Motor type	Product code	Speed r/min	Torque			Efficiency		Power factor cos φ	Current			Moment of inertia J=1/4GD ² kgm ²	Weight foot mounted kg	
				rated TN Nm	braking TB Nm	TS/ TN	K ¹⁾	100%		75%	IN A	IS/IN			c/h ²⁾
1500 r/min = 4 poles			400 V 50 Hz						Basic design						
0.12	M3VRS 63 A	3GVR 062 451-••C	1400	0.82	7.5	2.6	9.37	63.7	58.4	0.59	0.46	3.1	7100	0.00029	5
0.18	M3VRS 63 B	3GVR 062 452-••C	1380	1.25	7.5	2.5	5.76	65.6	62.1	0.64	0.63	3.1	7100	0.00036	5.5
0.25	M3VRS 71 A	3GVR 072 451-••E	1410	1.71	10	2.7	5.88	70.4	69.1	0.71	0.74	4.3	6500	0.00081	7
0.37	M3VRS 71 B	3GVR 072 452-••E	1420	2.51	10	2.6	4	74.6	72.1	0.69	1.05	4.4	6500	0.00104	8
0.55	M3VRS 80 A	3GVR 082 451-••E	1390	3.75	24	2.6	6.31	75.3	73.1	0.76	1.4	4.6	5000	0.00128	11
0.75	M3VRS 80 B	3GVR 082 452-••E	1410	5.08	24	3.5	4.7	78.2	75.6	0.74	1.9	4.7	5000	0.00159	12
1.1	M3ARS 90 S	3GAR 092 451-••E	1410	7.5	35	2.2	4.66	77.5	76.4	0.81	2.59	5.0	3200	0.0034	19
1.5	M3ARS 90 L	3GAR 092 452-••E	1420	10	35	2.4	3.5	80.3	78.1	0.79	3.45	5.0	3200	0.0045	22
2.2	M3ARS 100 LA	3GAR 102 451-••E	1430	15	44	2.4	2.93	83.0	82.7	0.81	4.8	5.5	2700	0.00733	32
3	M3ARS 100 LB	3GAR 102 452-••E	1430	20	44	2.5	2.2	85.0	83.9	0.81	6.48	5.5	2700	0.00863	35
4	M3ARS 112 M	3GAR 112 451-••E	1435	26.6	86	2.9	3.23	84.5	83.9	0.80	8.6	7.0	2500	0.01578	40
5.5	M3ARS 132 S	3GAR 132 451-••E	1450	36.2	130	2.2	3.59	87.0	87.7	0.83	11.1	7.3	1800	0.03357	60
7.5	M3ARS 132 M	3GAR 132 452-••E	1450	49.4	130	2.5	2.63	88.0	88.6	0.83	14.8	7.9	1400	0.04057	68
11	M3ARS 160 M	3GAR 162 461-••E	1465	72	230	2.4	3.2	88.4	88.8	0.78	22.5	6.9	500	0.07696	117
15	M3ARS 160 L	3GAR 162 462-••E	1460	98	230	2.8	2.3	90.0	90.5	0.82	29	7.2	500	0.08796	129
18.5	M3ARS 180 M	3GAR 182 461-••E	1455	121	230	2.6	1.9	90.4	90.4	0.84	35	7.0	360	0.10464	161
22	M3ARS 180 L	3GAR 182 462-••E	1460	144	230	3.0	1.6	91.1	91.5	0.82	42	8.0	360	0.12964	175

1500 r/min = 4 poles			400 V 50 Hz						High-output design						
0.25	M3VRS 63 BB	3GVR 062 453-••C	1370	1.75	7.5	2.5	4.28	70.3	67.4	0.67	0.78	3.2	7100	0.0004	6
0.45	M3VRS 71 BB	3GVR 072 453-••E	1390	3.11	10	2.1	3.22	75.5	75.3	0.76	1.15	4.1	6500	0.00104	8
0.55	M3VRS 71 C	3GVR 072 454-••E	1410	3.74	10	2.7	2.7	77.3	76.9	0.73	1.45	4.8	6500	0.00125	9
0.95	M3VRS 80 C	3GVR 082 453-••E	1410	6.44	24	2.9	3.75	78.9	77.9	0.75	2.35	4.3	500	0.00197	13
1.85 ³⁾	M3ARS 90 L	3GAR 092 453-••E	1390	13	35	2.2	2.69	79.5	78.1	0.80	4.4	4.5	3200	0.0045	22
2.2 ³⁾	M3ARS 90 LB	3GAR 092 454-••E	1390	15	35	2.2	2.33	80.3	81.0	0.83	4.85	4.5	3200	0.0048	23
4 ³⁾	M3ARS 100 LC	3GAR 102 453-••E	1420	27	44	2.5	1.62	81.0	81.7	0.82	8.65	5.5	2700	0.009	36
5.5 ³⁾	M3ARS 112 MB	3GAR 112 452-••E	1425	36.9	86	2.8	2.14	84.5	83.5	0.83	11.4	7.1	2500	0.018	47
9.2 ³⁾	M3ARS 132 MBA	3GAR 132 454-••E	1450	60	130	2.0	2.14	88.0	88.6	0.85	17.8	7.3	1400	0.05	83
11 ³⁾	M3ARS 132 MB	3GAR 132 453-••E	1450	72	130	2.5	1.79	88.0	89.4	0.86	21	8.3	500	0.05	83
18.5 ³⁾	M3ARS 160 LB	3GAR 162 453-••E	1450	122	230	2.9	1.88	90.5	88.9	0.84	36	6.9	500	0.107	143

¹⁾ Braking-torque ratio ²⁾ No-load (shaft-free) operations/hour ³⁾ Temperature rise class F.

The bullets in the product code indicate choice of mounting arrangement and voltage and frequency code, see below and ordering information page.

Code letters for supplementing product code for mounting arrangement:

Foot-mounted	A
Flange-mounted, 1 flange	B for frame sizes 63-100, 180; E for frame sizes 112-160.
Flange-mounted, 2 flanges	N for frame sizes 90-132
Flange-mounted, small flange	C for frame sizes 63-100

Code letters for supplementing product code for voltage and frequency (pos 13):

Motor size	S				D				G		H		X
	Motor 50 Hz	Motor 60 Hz	Brake 50 Hz	Brake 60 Hz	Motor 50 Hz	Motor 60 Hz	Brake 50 Hz	Brake 60 Hz	Motor 50 Hz	Motor 50 Hz	Motor 50 Hz	Brake 50 Hz	
63-132	220-240 VΔ 380-420 VY	250-280 VΔ 440-480 VY	230 VΔ 400 VY	265 VΔ 460 VY	380-420 VΔ 660-690 VY	440-480 VΔ -	400 VΔ 690 VY	460 VΔ -	-	-	-	-	Any other rated voltage or frequency, 690V maximum
160-180	230 VΔ 400 VY	265 VΔ 460 VY	230 VΔ 400 VY	265 VΔ 460 VY	400 VΔ 690 VY	460 VΔ -	400 VΔ 690 VY	460 VΔ -	415 VY	415 VY	415 VΔ	415 VΔ	

General purpose brake motors

Technical data for single-speed motors with three phase AC brake

IP 55 – IC 411 – Insulation class F, temperature rise class B – Brake IP 23 S

Output kW	Motor type	Product code	Speed r/min	Torque			K ¹⁾	Efficiency		Power factor cos φ	Current			Moment of inertia J=1/4GD ² kgm ²	Weight foot mounted kg
				TN Nm	TB Nm	TS/TN		100%	75%		IN A	IS/IN	c/h ²⁾		
1000 r/min = 6 poles			400 V 50 Hz					Basic design							
0.09	M3VRS 63 A	3GVR 063 451-••C	910	0.95	7.5	2.1	7.5	47.1	42.5	0.56	0.51	2.1	7700	0.0003	5
0.12	M3VRS 63 B	3GVR 063 452-••C	860	1.27	7.5	1.8	5.76	56.0	53.5	0.55	0.56	2.4	7700	0.00037	5.5
0.18	M3VRS 71 A	3GVR 073 451-••E	920	1.88	10	2.1	5.26	61.1	57.7	0.69	0.64	2.9	7500	0.00078	7
0.25	M3VRS 71 B	3GVR 073 452-••E	920	2.61	10	2.5	3.84	64.9	62.3	0.65	0.86	3.2	7500	0.00096	8
0.37	M3VRS 80 A	3GVR 083 451-••E	925	3.82	24	3.1	6.15	72.9	70.8	0.72	1.04	3.8	7000	0.00186	11
0.55	M3VRS 80 B	3GVR 083 452-••E	925	5.68	24	2.9	4.06	73.3	71.9	0.71	1.55	3.4	7000	0.0022	12
0.75	M3ARS 90 S	3GAR 093 451-••E	930	7.5	35	1.9	4.66	71.5	70.7	0.67	2.36	4.0	3800	0.0034	19
1.1	M3ARS 90 L	3GAR 093 452-••E	930	11	35	2.1	3.18	74.4	72.5	0.69	3.25	4.0	3900	0.0045	22
1.5	M3ARS 100 L	3GAR 103 451-••E	950	15	44	1.9	2.93	80.0	77.0	0.71	3.92	4.5	3300	0.0086	34
2.2	M3ARS 112 M	3GAR 113 451-••E	940	22.3	86	2.1	3.85	80.5	79.3	0.74	5.4	5.6	3200	0.015	40
3	M3ARS 132 S	3GAR 133 451-••E	960	29.8	130	2.0	4.36	84.5	82.7	0.75	6.9	6.1	2400	0.033	59
4	M3ARS 132 MA	3GAR 133 452-••E	960	39.7	130	2.0	3.27	85.5	83.1	0.78	8.7	7.1	1900	0.04	66
5.5	M3ARS 132 MB	3GAR 133 453-••E	955	55	130	2.2	2.36	86.0	85.0	0.78	11.9	6.9	1900	0.047	74
7.5	M3ARS 160 M	3GAR 163 451-••E	970	74	230	2.0	3.14	89.3	88.4	0.79	15.4	6.7	600	0.087	129
11	M3ARS 160 L	3GAR 163 452-••E	970	109	230	2.2	2.13	89.8	88.5	0.78	23	7.1	600	0.127	149
1000 r/min = 6 poles			400 V 50 Hz					High-output design							
0.15	M3VRS 63 BB	3GVR 063 453-••C	900	1.61	7.5	2.2	4.68	56.9	52.1	0.54	0.74	2.2	7700	0.00042	6
0.32	M3VRS 71 C	3GVR 073 453-••E	920	3.33	10	2.6	3.1	64.8	61.6	0.63	1.15	3.2	7500	0.00125	9
1.3	³⁾ M3ARS 90 LB	3GAR 093 453-••E	910	13.5	35	1.9	2.59	69.0	69.0	0.71	3.85	4.0	3800	0.005	24
2.2	³⁾ M3ARS 100 LC	3GAR 103 452-••E	940	22	44	1.9	2	77.0	72.8	0.71	5.9	4.5	3300	0.009	37
3	³⁾ M3ARS 112 MB	3GAR 113 452-••E	935	30.6	86	2.0	2.81	80.0	79.9	0.76	7.2	5.5	3200	0.018	46
6.5	³⁾ M3ARS 132 MC	3GAR 133 454-••E	960	64	130	2.0	2.01	85.0	84.5	0.75	14.8	6.6	2400	0.051	79
14	³⁾ M3ARS 160 LB	3GAR 163 453-••E	960	139	230	2.7	1.65	89.1	84.5	0.77	29.5	7.6	1900	0.147	164

¹⁾ Braking-torque ratio

²⁾ No-load (shaft-free) operations/hour

³⁾ Temperature rise class F.

The bullets in the product code indicate choice of mounting arrangement and voltage and frequency code, see below and ordering information page.

Code letters for supplementing product code for mounting arrangement:

Foot-mounted	A
Flange-mounted, 1 flange	B for frame sizes 63-100, 180; E for frame sizes 112-160.
Flange-mounted, 2 flanges	N for frame sizes 90-132
Flange-mounted, small flange	C for frame sizes 63-100

Code letters for supplementing product code for voltage and frequency (pos 13):

Motor size	S				D				G		H		X
	Motor 50 Hz	Motor 60 Hz	Brake 50 Hz	Brake 60 Hz	Motor 50 Hz	Motor 60 Hz	Brake 50 Hz	Brake 60 Hz	Motor 50 Hz	Motor 50 Hz	Motor 50 Hz	Motor 50 Hz	
63-132	220-240 VΔ 380-420 VY	250-280 VΔ 440-480 VY	230 VΔ 400 VY	265 VΔ 460 VY	380-420 VΔ 660-690 VY	440-480 VΔ -	400 VΔ 690 VY	460 VΔ -	-	-	-	-	Any other rated voltage or frequency, 690V maximum
160-180	230 VΔ 400 VY	265 VΔ 460 VY	230 VΔ 400 VY	265 VΔ 460 VY	400 VΔ 690 VY	460 VΔ -	400 VΔ 690 VY	460 VΔ -	415 VY	415 VY	415 VΔ	415 VΔ	

General purpose brake motors

Technical data for single-speed motors with three phase AC brake

IP 55 – IC 411 – Insulation class F, temperature rise class B – Brake IP 23 S

Output kW	Motor type	Product code	Speed r/min	Torque			K ¹⁾	Efficiency		Power factor cos φ	Current			Moment of inertia J=1/4GD ² kgm ²	Weight foot mounted kg
				rated	braking	TS/TN		100%	75%		IN A	IS/IN	c/h ²⁾		
750 r/min = 8 poles				400 V 50 Hz				Basic design							
0.055	M3VRS 63 B	3GVR 064 451-••E 680	680	7.5	0.78	2.1	9.4	38.3	31.8	0.48	0.45	1.8	7700	0.00037	5.5
0.09	M3VRS 71 A	3GVR 074 451-••E 690	690	10	1.25	2.3	7.69	45.8	37.5	0.57	0.52	2.2	7500	0.00078	7
0.12	M3VRS 71 B	3GVR 074 452-••E 690	690	10	1.67	2.5	5.88	46.4	38.1	0.55	0.69	2.2	7500	0.00096	8
0.18	M3VRS 80 A	3GVR 084 451-••E 700	700	24	2.46	3.2	9.6	59.9	54.5	0.60	0.75	3.1	7500	0.0022	11
0.25	M3VRS 80 B	3GVR 084 452-••E 700	700	24	3.52	2.9	6.85	70.7	67.4	0.62	0.85	3.1	7500	0.00245	12
0.37	M3ARS 90 S	3GAR 094 451-••E 700	700	35	5	1.9	7	61.5	43.4	0.56	1.6	3.0	4100	0.0034	19
0.55	M3ARS 90 L	3GAR 094 452-••E 690	690	35	7.5	1.7	4.66	62.9	56.4	0.57	2.35	3.0	4100	0.0045	22
0.75	M3ARS 100 LA	3GAR 104 451-••E 700	700	44	10	2.1	4.4	72.0	63.6	0.59	2.55	3.5	3600	0.0073	31
1.1	M3ARS 100 LB	3GAR 104 452-••E 700	700	44	15	2.1	2.93	73.0	68.8	0.64	3.35	3.5	3700	0.0086	34
1.5	M3ARS 112 M	3GAR 114 451-••E 695	695	86	20.6	1.9	4.17	74.5	75.9	0.65	4.5	4.1	3600	0.016	41
2.2	M3ARS 132 S	3GAR 134 451-••E 720	720	130	29.2	1.6	4.45	80.5	77.8	0.67	5.9	5.3	3000	0.04	66
3	M3ARS 132 M	3GAR 134 452-••E 720	720	130	39.8	1.8	3.26	82.0	79.2	0.68	7.8	5.5	2600	0.047	73
4	M3ARS 160 MA	3GAR 164 451-••E 715	715	230	54	2.1	4.39	84.1	81.1	0.69	10	5.2	600	0.11	139
5.5	M3ARS 160 M	3GAR 164 452-••E 710	710	230	74	2.4	3.17	84.7	75.0	0.70	13.4	5.4	600	0.11	139
7.5	M3ARS 160 L	3GAR 164 453-••E 715	715	230	100	2.4	2.31	86.3	82.4	0.70	18.1	5.4	600	0.127	154

¹⁾ Braking-torque ratio

²⁾ No-load (shaft-free) operations/hour

The bullets in the product code indicate choice of mounting arrangement and voltage and frequency code, see below and ordering information page.

Code letters for supplementing product code for mounting arrangement:

Foot-mounted	A
Flange-mounted, 1 flange	B for frame sizes 63-100, 180; E for frame sizes 112-160.
Flange-mounted, 2 flanges	N for frame sizes 90-132
Flange-mounted, small flange	C for frame sizes 63-100

Code letters for supplementing product code for voltage and frequency (pos 13):

Motor size	S				D				G		H		X
	Motor 50 Hz	Motor 60 Hz	Brake 50 Hz	Brake 60 Hz	Motor 50 Hz	Motor 60 Hz	Brake 50 Hz	Brake 60 Hz	Motor 50 Hz	Motor 50 Hz	Motor 50 Hz	Brake 50 Hz	
63-132	220-240 VΔ 380-420 VY	250-280 VΔ 440-480 VY	230 VΔ 400 VY	265 VΔ 460 VY	380-420 VΔ 660-690 VY	440-480 VΔ -	400 VΔ 690 VY	460 VΔ -	-	-	-	-	Any other rated voltage or frequency, 690V maximum
160-180	230 VΔ 400 VY	265 VΔ 460 VY	230 VΔ 400 VY	265 VΔ 460 VY	400 VΔ 690 VY	460 VΔ -	400 VΔ 690 VY	460 VΔ -	415 VY	415 VY	415 VΔ	415 VΔ	

General purpose brake motors

Technical data for two-speed motors with three phase AC brake

IP 55 – IC 411 – Insulation class F, temperature rise class F – Brake IP 23 S

Output kW	Motor type	Product code	Speed r/min	Torque			Efficiency %	Power factor cos φ	Current		Moment of inertia J=1/4GD ² kgm ²	Weight IM 1001 kg	
				TN Nm	braking TB Nm	TS/TN K ¹⁾			IN	IS/IN A			
3000/1500 r/min = 2-4 poles 400 V 50 Hz				Constant torque, two separate windings									
1.1/0.55	M3ARS90 S	3GAR 098 451-••E	2900/1450	3.6/3.6	35	1.4/1.5	9.7/9.7	74/62	0.85/0.64	2.5/2	5.1/3.6	0,0019	20
1.5/0.75	M3ARS90 L	3GAR 098 452-••E	2900/1450	4.9/4.9	35	1.5/1.5	7.1/7.1	77/70	0.87/0.67	3.3/2.4	5.7/4.1	0,0024	23
2/1	M3ARS100 L	3GAR 108 451-••E	2900/1460	6.5/6.5	44	1.9/1.4	7.7/7.7	76/67	0.89/0.66	4.3/3.3	6.2/4	0,0041	32
2.6/1.3	M3ARS112 M	3GAR 118 451-••E	2900/1460	8.6/8.5	86	1.6/1.6	10/9.9	80/75	0.92/0.72	5.1/3.5	6.4/5	0,012	45
4.4/2.2	M3ARS132 SB	3GAR 138 451-••E	2925/1450	14.4/14.5	130	2/1.3	8.1/8.1	81/74	0.86/0.73	9.1/5.9	7.3/4.5	0,016	55
5.6/2.8	M3ARS132 M	3GAR 138 452-••E	2885/1440	18.5/18.6	130	1.8/1.4	10.4/10	82/77	0.93/0.75	10.6/7	6.7/5	0,022	76
3000/1500 r/min = 2-4 poles 400 V 50 Hz				Constant torque, Dahlander-connection									
0.2/0.15	M3VRS 63 A	3GVR 068 451-••C	2800/1400	0.68/1.02	7.5	2.1/2	7.1/5.4	63/54	0.7/0.63	0.65/0.65	3.6/2.8	0.00019	5
0.3/0.2	M3VRS 63 B	3GVR 068 452-••C	2740/1370	1.05/1.4	7.5	1.7/2.1	11/7.4	59/55	0.78/0.63	0.95/0.85	2.8/2.8	0.00026	5.5
0.37/0.25	M3VRS 71 A	3GVR 078 451-••E	2700/1390	1.3/1.72	10	1.9/1.5	9.2/7	64/60	0.89/0.79	0.95/0.7	3.3/3.1	0.00066	7
0.48/0.31	M3VRS 71 B	3GVR 078 452-••E	2780/1400	1.66/2.15	10	1.4/2	7.1/5.6	68/68	0.91/0.76	1.2/0.9	3.6/4	0.00089	8
0.55/0.37	M3VRS 71 C	3GVR 078 453-••E	2800/1400	1.87/2.52	10	1.8/1.9	6.4/4.8	66/64	0.8/0.65	1.5/1.2	4.7/4.3	0.0011	8.5
0.63/0.5	M3VRS 80 A	3GVR 088 451-••E	2690/1400	2.25/3.42	24	1.8/1.9	7.6/5.5	66/67	0.87/0.79	1.6/1.35	3.6/4.2	0.0013	11
0.85/0.65	M3VRS 80 B	3GVR 088 452-••E	2725/1405	2.99/4.43	24	1.9/2	5.4/3.6	70/70	0.88/0.8	2/1.7	4/4.4	0.0016	12.5
1.1/0.8	M3VRS 80 C	3GVR 088 453-••E	2730/1410	3.8/5.38	24	2/2	4.7/3.3	72/71	0.88/0.79	2.55/2.05	4.2/4.7	0.002	13
1.3/1	M3ARS90 S	3GAR 098 453-••E	2730/1400	4.5/6.8	35	2/1.5	7.8/5.1	71/71	0.88/0.8	3.1/2.6	3.9/3.8	0.0032	20
1.9/1.5	M3ARS90 L	3GAR 098 454-••E	2820/1420	6.4/10	35	2.8/2	5.4/3.5	74/75	0.82/0.76	4.4/3.9	5.1/4.4	0.0043	23
2.5/2.1	M3ARS100 LA	3GAR 108 452-••E	2800/1430	8.5/14	44	2.2/1.6	5.9/3.6	68/76	0.88/0.81	6/5	4.8/4.4	0.0069	32
3.4/2.5	M3ARS100 LB	3GAR 108 453-••E	2810/1430	11.5/18	44	2.2/1.9	4.3/2.7	78/80	0.88/0.85	7.2/5.9	5.3/5.4	0.0082	35
4.26	M3ARS112 M	3GAR 118 452-••E	2865/1430	13.3/17.4	86	1.8/2.3	10/9.9	82/77	0.93/0.76	7.6/6.5	6.3/6.2	0.012	45
6.3/4.4	M3ARS132 SA	3GAR 138 461-••E	2895/1445	20.8/29	130	1.7/1.6	7.2/5.2	85/84	0.94/0.8	11.4/9.5	6.5/5.7	0.0155	58
4.7/3.1	M3ARS132 SB	3GAR 138 453-••E	2820/1420	15.9/20.8	130	1.8/2.2	10.4/10	79/77	0.92/0.76	9.2/7.7	5.5/5.7	0.016	55
8/6.2	M3ARS132 SC	3GAR 138 462-••E	2910/1440	26.2/41.1	130	1.9/1.6	6.9/3.6	87/85	0.95/0.83	14/12.7	7.8/5.6	0.0215	78
7.2/4.8	M3ARS132 M	3GAR 138 454-••E	2870/1435	24/31.9	130	2.4/2.5	6.3/4.7	84/81	0.92/0.76	13.3/11.5	7.1/6.2	0.022	76
9.6/7	M3ARS132 MD	3GAR 138 463-••E	2900/1440	31.6/46.4	130	1.8/1.7	4.7/3.2	87/85	0.95/0.85	16.8/14.1	7.6/5.9	0.026	85
12.5/9	M3ARS160 M	3GAR 168 454-••E	2890/1440	41/60	200	1.4/1.8	5.6/3.8	85.5/85.5	0.93/0.8	22.5/19	5.2/4.6	0.054	129
15/10.5	M3ARS160 L	3GAR 168 455-••E	2900/1445	49/69	200	1.6/2.1	4.7/3.3	87/86	0.93/0.77	27/23	5.8/4.9	0.057	139
1500/1000 r/min = 4/6 poles 400 V 50 Hz				Constant torque, two separate windings									
0.11/0.08	M3VRS 63 B	3GVR 068 453-••C	1390/860	0.75/0.88	7.5	1.4/1.8	10/8.5	40/25	0.7/0.72	0.55/0.62	2.5/1.8	0.00026	5.5
0.3/0.2	M3VRS 71 A	3GVR 078 454-••E	1390/900	1.37/0.79	10	1.1/1.05	15.2/8.8	51/40	0.82/0.72	0.7/0.5	2.8/2	0.00066	7
0.37/0.22	M3VRS 71 B	3GVR 078 455-••E	1380/900	2.07/1.91	10	1/1.1	6.3/5.8	58/40	0.83/0.8	0.9/0.8	2.7/1.9	0.00089	8
0.43/0.28	M3VRS 80 A	3GVR 088 454-••E	1380/910	2.54/3.02	24	1.5/1.4	7.1/6	60/54	0.85/0.81	1.4/1.2	3.1/2.9	0.0019	12
0.58/0.37	M3VRS 80 B	3GVR 088 455-••E	1390/920	4/3.85	24	1.5/1.5	4/3.5	63/58	0.85/0.8	1.6/1.15	3.3/3.2	0.0022	12.5
0.8/0.5	M3ARS90 S	3GAR 098 455-••E	1430/940	5.3/5	35	1.5/1.4	7/6.6	68/57	0.8/0.66	2.2/2	3.9/2.8	0.0032	20
1.2/0.75	M3ARS90 L	3GAR 098 456-••E	1430/940	8/7.6	35	1.7/1.5	4.6/4.4	73/63	0.81/0.67	3/2.6	4.4/3.1	0.0043	23
1.5/0.9	M3ARS100 LA	3GAR 108 454-••E	1440/960	9.9/8.9	44	1.5/1.5	5.6/5.1	75/69	0.84/0.65	3.5/3	4.7/3.8	0.0069	32
1.8/1.1	M3ARS100 LB	3GAR 108 455-••E	1460/960	11/11	44	2.1/1.6	4.5/4.5	77/70	0.78/0.64	4.4/3.6	5.8/3.9	0.0082	35
2.6/1.7	M3ARS112 M	3GAR 118 453-••E	1445/960	17.2/16.9	86	1.5/1.5	5/4.9	80/70	0.85/0.76	5.5/4.4	5.9/5.2	0.018	45
3.3/2.2	M3ARS132 S	3GAR 138 455-••E	1470/980	21.4/21.4	130	1.4/1.2	4.5/3.0	82/76	0.8/0.65	7.1/6.4	6.8/4.6	0.038	61
3.3/2.2	M3ARS132 M	3GAR 138 456-••E	1470/980	29.2/29.2	130	1.4/1.5	5.1/5.1	82/77	0.81/0.7	9.8/8	7.2/5.6	0.048	79
5.5/3.7	M3ARS132 MD	3GAR 138 464-••E	1460/960	36/36.8	130	1.9/1.8	4.2/4.2	85/81	0.88/0.8	10.7/8.3	8/6.3	0.036	84
7.5/5.5	M3ARS160 M	3GAR 168 456-••E	1465/965	49/54	230	2.1/1.8	3.1/2.7	85.5/80.5	0.83/0.77	15.5/13	7.1/4.7	0.089	129
11.5/8.5	M3ARS160 L	3GAR 168 457-••E	1465/965	75/84	230	2.1/1.8	2.9/2.7	86.5/82.5	0.84/0.76	23/19.5	7/4.9	0.119	139

¹⁾ Braking-torque ratio

General purpose brake motors

Technical data for two-speed motors with three phase AC brake

IP 55 – IC 411 – Insulation class F, temperature rise class F – Brake IP 23 S

Output kW	Motor type	Product code	Speed r/min	Torque				Efficiency %	Power factor cos φ	Current		Moment of inertia J=1/4GD ² kgm ²	Weight IM 1001 kg
				rated TN Nm	braking TB Nm	TS/TN	K ¹⁾			IN	IS/IN A		
3000/750 r/min = 2/8 poles			400 V 50 Hz				Constant torque, two separate windings						
0.25/0.06	M3VRS 71 A	3GVR 078 458-••E	2760/660	0.86/0.86	10	1/1.3	14/14	52/36	0.94/0.7	0.75/0.35	2.9/1.9	0,00066	7
0.37/0.09	M3VRS 71 B	3GVR 078 459-••E	2800/660	1.26/1.3	10	1/1.6	9.5/9.2	68/41	0.87/0.65	0.9/0.5	2.8/2	0,00089	8
0.5/0.12	M3VRS 80 A	3GVR 088 459-••E	2730/700	1.78/1.64	24	1.3/2	10.9/9.6	60/38	0.87/0.58	1.4/0.8	3.2/2.3	0,0013	12,5
0.66/0.15	M3VRS 80 B	3GVR 088 460-••E	2780/700	2.55/2.45	24	1.4/2.2	7.3/7.1	65/40	0.87/0.58	1.65/0.95	3.8/2.5	0,0016	13
0.75/0.18	M3ARS 90 LA	3GAR 098 461-••E	2875/720	2.5/2.4	35	2.3/1.3	14/14	71.2/46.3	0.8/0.51	1.9/1.1	5.7/2.4	0,0043	23
1.3/0.33	M3ARS 90 LB	3GAR 098 462-••E	2780/690	4.4/4.5	35	1.8/1.2	8/8	71/52	0.92/0.62	2.9/1.5	4.5/2.3	0,0043	23
1.8/0.5	M3ARS 100 LB	3GAR 108 460-••E	2860/705	6.0/6.7	44	1.7/1.3	8.3/7.4	80/54	0.93/0.64	3.5/2.1	5.3/2.6	0,0082	35
2.2/0.59	M3ARS 112 MC	3GAR 118 456-••E	2900/720	7.2/7.8	86	2.4/1.6	11.8/11	78/62	0.87/0.55	4.9/2.5	7/3.5	0,015	42
3.3/0.95	M3ARS 132 SA	3GAR 138 465-••E	2940/730	10.7/12.4	130	2.6/1.2	14/12	81/72	0.95/0.52	6.2/3.7	9.5/4.3	0,0215	65
4.4/1.3	M3ARS 132 MC	3GAR 138 466-••E	2920/725	14.4/17.1	130	2.2/1.3	10.7/8.8	82/74	0.94/0.62	8.3/4.1	8.6/4	0,03	77
1500/750 r/min = 4/8 poles			400 V 50 Hz				Constant torque, two separate windings						
0.55/0.25	M3ARS 90 S	3GAR 098 457-••E	1450/700	3.6/3.4	35	1.3/1.4	10.3/9.7	62/51	0.78/0.59	1.9/1.2	4.2/2.3	0,0032	20
0.75/0.37	M3ARS 90 L	3GAR 098 458-••E	1450/700	4.9/5	35	1.4/1.5	7.1/7	66/57	0.75/0.57	2.2/1.7	4.1/2.5	0,0043	23
1.1/0.55	M3ARS 100 LA	3GAR 108 456-••E	1460/710	7.2/7.4	44	1.2/1.2	6.9/6.8	68/62	0.77/0.61	3.1/2.2	4.2/2.6	0,0069	32
1.5/0.75	M3ARS 100 LB	3GAR 108 457-••E	1440/700	9.8/10	44	1.3/1.2	5.1/5	72/60	0.82/0.6	3.7/2.9	4.6/2.7	0,0082	35
1.8/0.9	M3ARS 112 M	3GAR 118 454-••E	1460/715	11.7/12	86	1.2/1.6	7.3/7.1	77/65	0.76/0.66	4.4/3	6.5/4	0,018	45
2.5/1.3	M3ARS 132 S	3GAR 138 457-••E	1480/735	16.2/17	130	1.6/1.4	9.3/8.8	80/67	0.79/0.56	5.8/6	6/3.7	0,038	61
3.3/1.7	M3ARS 132 M	3GAR 138 458-••E	1470/725	21.4/22.4	130	1.6/1.4	7/6.7	81/71	0.79/0.58	7.5/6	7/4.2	0,048	79
1500/750 r/min = 4-8 poles			400 V 50 Hz				Constant torque, Dahlander-connection						
0.11/0.06	M3VRS 63 B	3GVR 068 454-••C	1390/660	0.75/0.87	7.5	1.6/2.5	10/8.6	54/33	0.6/0.49	0.5/0.55	3/1.7	0,00026	5.5
0.18/0.11	M3VRS 71 A	3GVR 078 456-••E	1380/680	1.24/1.54	10	1.9/2.2	9.7/7.8	54/37	0.7/0.53	0.7/0.8	3.2/2.5	0,00066	7
0.3/0.15	M3VRS 71 B	3GVR 078 457-••E	1400/700	2.05/2.05	10	2/2.5	5.9/5.9	60/47	0.74/0.51	0.9/0.9	3.2/2.6	0,00089	8
0.45/0.25	M3VRS 80 A	3GVR 088 456-••E	1380/700	3.12/3.42	24	1.7/2.1	6.5/6	65/48	0.87/0.58	1.15/1.3	3.5/2.7	0,0019	11
0.63/0.33	M3VRS 80 B	3GVR 088 457-••E	1380/705	4.37/4.48	24	1.7/2.2	4/3.9	67/50	0.88/0.56	1.55/1.7	3.5/2.8	0,0022	12
0.75/0.37	M3VRS 80 C	3GVR 088 458-••E	1390/710	5.16/4.98	24	1.9/2.5	3.6/3.5	70/52	0.86/0.51	1.8/2	3.9/2.9	0,0025	12.5
0.7/0.37	M3ARS 90 S	3GAR 098 459-••E	1420/700	4.7/5.1	35	1.6/1.6	7.4/6.9	72/50	0.8/0.57	1.8/1.9	4.4/2.3	0,0032	20
1.1/0.55	M3ARS 90 L	3GAR 098 460-••E	1390/685	7.4/7.5	35	1.4/1.5	4.7/4.7	70/55	0.84/0.58	2.6/2.6	4.1/2.3	0,0043	23
1.5/0.75	M3ARS 100 LA	3GAR 108 458-••E	1440/710	10/10	44	1.4/1.5	5/5	76/62	0.85/0.57	3.4/3.2	4.6/2.8	0,0069	32
2/0.95	M3ARS 100 LB	3GAR 108 459-••E	1440/710	13/12	44	1.4/1.6	4.2/3.8	78/64	0.86/0.55	4.4/4	4.8/2.9	0,0082	35
2.5/1.5	M3ARS 112 M	3GAR 118 455-••E	1410/705	16.9/20.3	86	1.4/1.5	5/4.2	78/67	0.9/0.66	5.1/4.9	5.5/4.1	0,018	45
3.8/1.9	M3ARS 132 S	3GAR 138 459-••E	1450/730	25/24.9	130	1.4/1.3	6/6	82/70	0.84/0.52	7.7/7.6	5.6/3.7	0,038	61
5/2.5	M3ARS 132 M	3GAR 138 460-••E	1455/730	32.8/32.7	130	1.7/2	4.6/4.6	85/73	0.88/0.52	9.6/9.6	6.9/4.8	0,048	79
8/4.5	M3ARS 160 M	3GAR 168 460-••E	1440/730	53/59	230	1.3/1.4	4.3/3.9	84.5/79.5	0.86/0.6	16/13.5	4.5/3.4	0,089	129
12/7	M3ARS 160 L	3GAR 168 461-••E	1445/730	79/92	230	1.5/1.4	2.9/2.5	86.5/81	0.87/0.59	23/21	5/3.5	0,119	139

¹⁾ Braking-torque ratio

The bullets in the product code indicate choice of mounting arrangement and voltage and frequency code, see below and ordering information page.

Code letters for supplementing product code for mounting arrangement (pos 12):

Foot-mounted	A
Flange-mounted, 1 flange	B for frame sizes 63-100, 180; E for frame sizes 112-160.
Flange-mounted, 2 flanges	N for frame sizes 90-132
Flange-mounted, small flange	C for frame sizes 63-100

Code letters for supplementing product code for voltage and frequency (pos 13):

Motor size	A		B		S		D	
	Motor 50 Hz	Brake 50 Hz	Motor 50 Hz	Brake 50 Hz	Motor 50 Hz	Brake 50 Hz	Motor 50 Hz	Brake 50 Hz
63-132	–	–	–	–	220-230 V	230 VΔ	380-400 V	400 VΔ
160	220 V	220 VΔ	380 V	380 VΔ	230 V	230 VΔ	400 V	400 VΔ
Motor size	E		H		X			
	Motor 50 Hz	Brake 50 Hz	Motor 50 Hz	Brake 50 Hz	Any other rated voltage or frequency, 690 V maximum			
63-132	500 V	500 VΔ	415 V	415 VΔ				
160	500 V	500 VΔ	415 V	415 VΔ				

General purpose brake motors - Variant codes

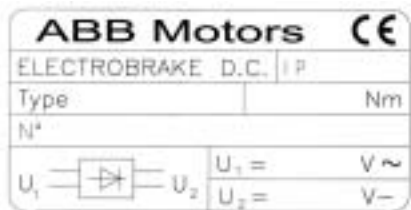
Code	Variant	M3VRF/S			M3ARF/S					
		63	71	80	90	100	112	132	160	180
Brakes										
086	Separate brake supply	M	M	M	M	M	M	M	M	M
087	Brake with reduced torque, torque range 60%-33% of nominal torque.	NA	P	P	P	P	P	P	P	p
088	Hand release	M	S	S	S	S	S	S	S	S
213	Brake with increased degree of protection. Rubber ring and V-ring for IP55 protection.	M	M	M	M	M	M	M	M	M
285	Reconnection of brake for separate dc supply at 24 V.	R	M	M	M	M	M	M	M	M
288	Brake motor with voltage code S for the motor and separate supply of the brake for voltage corresponding to code D.	R	M	M	M	M	M	M	M	M
289	Brake motor with voltage code D for the motor and separate supply of the brake for voltage corresponding to code S.	R	M	M	M	M	M	M	M	M
290	Brake motor with a.c. brake, change into d.c. brake keeping the voltage code.	R	M	M	M	M	M	M	M	M
291	Brake motor with d.c. brake, change into a.c. brake keeping the voltage code.	R	M	M	M	M	M	M	M	M
Special voltage										
209	Non-standard voltage or frequency (special winding) Different brake coil (e.g. 25 Vdc), max. 500 Vac.	R	R	R	P	P	P	P	P	P
Protection										
005	Protective roof, for vertical mounting with shaft end downwards.	M	M	M	M	M	M	M	M	M

For other variant codes please see section for standard aluminum motors or consult ABB.

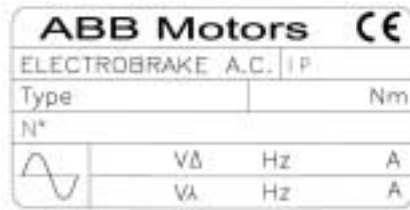
- S** = Included as standard
- P** = New manufacture only.
- M** = On modification of a stocked motor or on new manufacture, the number per order may be limited.
- R** = On request.
- NA** = Not applicable.

Brake rating plates

The brake rating plates have the following arrangement:



M000133



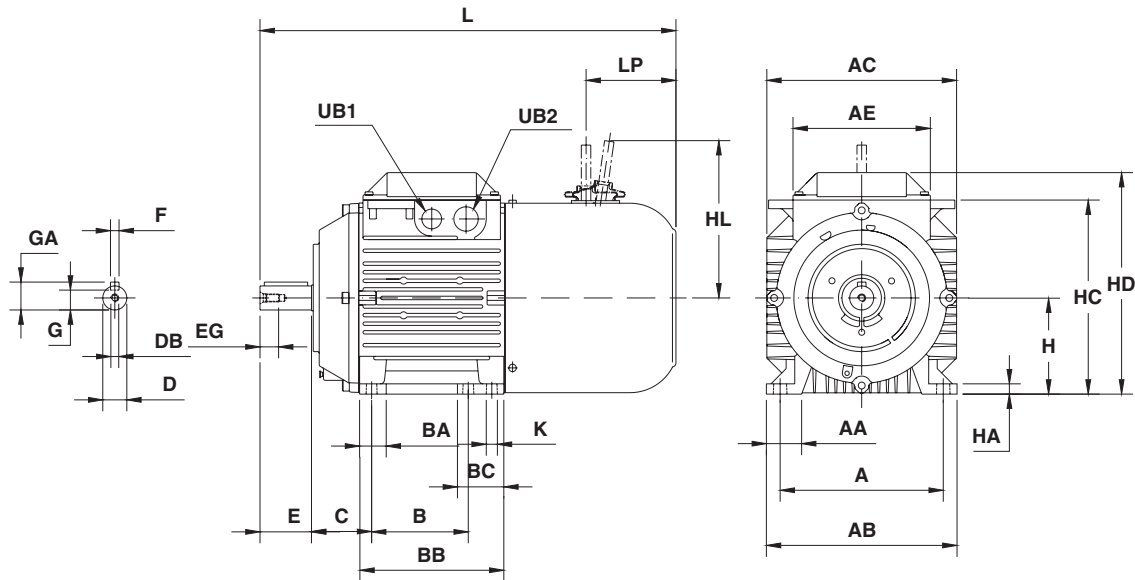
M000134

General purpose brake motors

Sizes 63-180

Dimension drawings

IM B3 (IM 1001)



Motor size	A	AA	AB	AC	AE	B	BA	BB	BC	C	D	DB	E	EG
63 A/B	100	26	120	123	85	80	21	96	21	40	11	M4	23	10
71	112	24	136	139	85	90	31	110	31	45	14	M5	30	13
80	125	28	154	156	97	100	34	125	34	50	19	M6	40	16
90S	140	27	170	177	110	100	30	125	30	56	24	M8	50	19
90 L	140	27	170	177	110	125	30	150	30	56	24	M8	50	19
100 L	160	32	197	197	110	140	34	172	34	63	28	M10	60	22
112 M	190	41	222	221	160	140	31	168	31	70	28	M10	60	22
132 S	216	47	262	261	160	140	40	212	76	89	38	M12	80	28
132 M	216	47	262	261	160	178	40	212	76	89	38	M12	80	28
160 M	254	56	310	314	210	210	55	287.5	86	108	42	M16	110	36
160 L	254	56	310	314	210	254	55	287.5	86	108	42	M16	110	36
180	279	65.5	340	314	210	241	91	329	91	121	48	M16	110	36

Motor size	F	GA	H	HA	HC	HD	HL	K	L	LP	UB1	UB2
63 A/B	4	12.5	63	10	-	180	107	7	270	66	M16	Pg11
71	5	16	71	9	-	176	114	7	316	76	M20	Pg16
80	6	21.5	80	10	-	190	124	10	360	70	M20	Pg16
90S	8	27	90	10	177	217	161	10	370	70	M20	M25
90 L	8	27	90	10	177	217	161	10	395	70	M20	M25
100 L	8	31	100	12	197	237	173	12	453	105	M20	M25
112 M	8	31	112	12	226	258	184	12	487	105	M20	M25
132 S	10	41	132	14	264	296	225	12	606	119	M20	M25
132 M	10	41	132	14	264	296	225	12	606	119	M20	M25
160 M	12	45	160	20	325	369	253	15	782	139	M40	M40
160 L	12	45	160	20	325	369	253	15	782	139	M40	M40
180	14	51.5	180	20	345	389	253	15	782	139	M40	M40

Tolerances:

- D ISO j6 ($\leq 28 \text{ } \varnothing$)
- D ISO k6 (38-42 \varnothing)
- F ISO h9
- H +0, -0.5

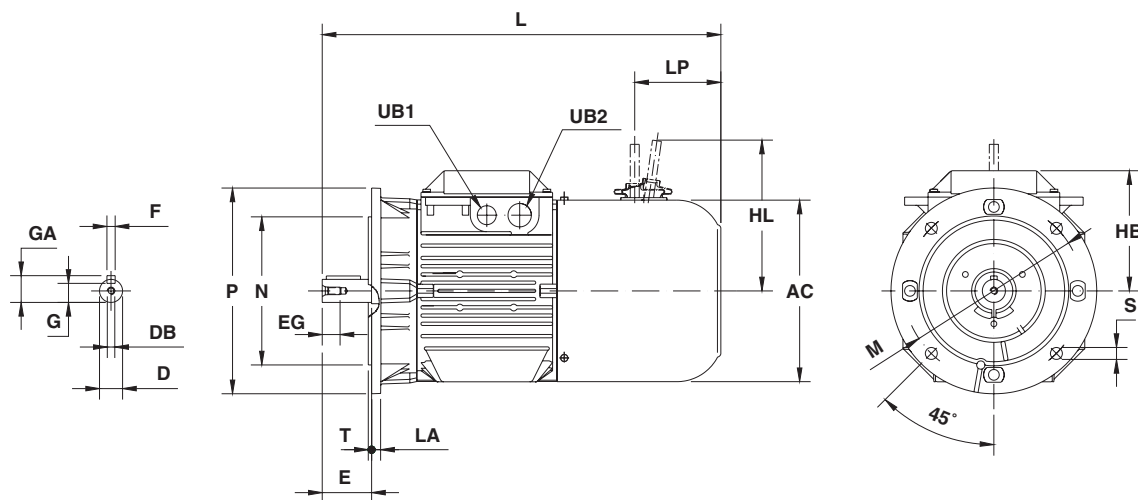
Above table gives the main dimensions in mm.
For detailed drawings please see our web-pages
'www.abb.com/motors&drives' or contact us.

General purpose brake motors

Sizes 63-180

Dimension drawings

IM B5 (IM 3001), IM V1 (IM 3011), IM B14 (IM 3601)



IM B5 (IM 3001)

Motor size	AC	D	DB	E	EG	F	GA	HB	HL	L	LP	UB1	UB2
63 A/B	123	11	M4	23	10	4	12.5	117	107	270	66	M16	Pg 11
71	139	14	M5	30	13	5	16	105	114	316	76	M20	Pg 16
80	156	19	M6	40	16	6	21.5	110	124	360	70	M20	Pg16
90S	178	24	M8	50	19	8	27	127	161	370	70	M20	M25
90 L	178	24	M8	50	19	8	27	127	161	395	70	M20	M25
100 L	198	28	M10	60	22	8	31	137	173	453	105	M20	M25
112 M	223	28	M10	60	22	8	31	146	184	487	105	M20	M25
132 S,M	264	38	M12	80	28	10	41	164	225	606	119	M20	M25
160 M,L	317	42	M16	110	36	12	45	209	253	782	139	M40	M40
180	317	48	M16	110	36	14	51.5	209	253	782	139	M40	M40

IM B5 (IM 3001)

Motor size	IEC flange	LA	M	N	P	S ¹⁾	T
63 A/B	FF115	10	115	95	140	M8	3
71	FF130	10	130	110	160	M8	3.5
80	FF165	12	165	130	200	M10	3.5
90	FF165	11	165	130	200	M10	3.5
100	FF215	11	215	180	250	M12	4
112	FF215	11	215	180	250	M12	4
132	FF265	12	265	230	300	M12	4
160	FF265	12	265	230	300	M12	4
160 ²⁾	FF300	20	300	250	350	M16	5
180	FF300	20	300	250	350	M16	5

IM B14 (IM 3601)

Motor size	IEC flange	LA	M	N	P	S	T
63 A/B	FT75	10	75	60	90	M5	2.5
71	FT85	10	85	70	105	M6	2.5
80	FT100	10	100	80	120	M6	3
90	FT115	14	115	95	140	M8	3
100	FT130	16	130	110	160	M8	3.5
112 ³⁾	FT130	9.5	130	110	160	M8	3.5
132	FT165	14.5	165	130	200	M8	3.5

Tolerances:

D ISO j6 ($\leq 28 \text{ } \varnothing$)

D ISO k6 (38-42 \varnothing)

F ISO h9

¹⁾ Clearance holes for bolt.

²⁾ Optional for frame size 160.

³⁾ Two pieces modular flange.

Modular flanges:

Brake motors sizes 71-132 can be supplied with several non standard modular flange dimensions

Above table gives the main dimensions in mm.

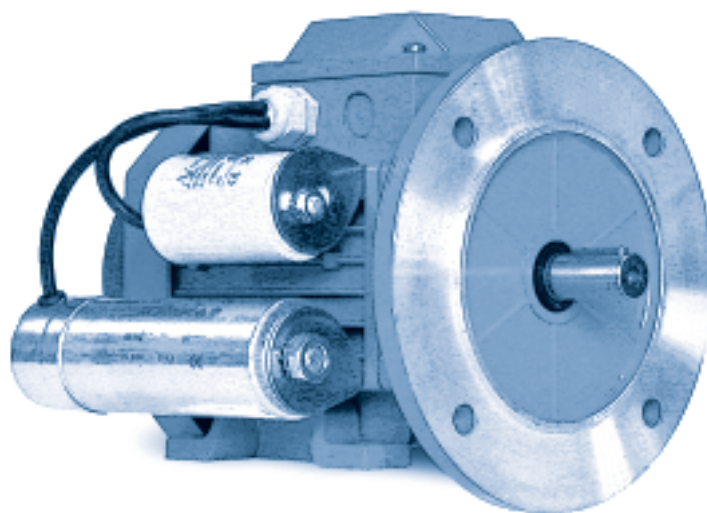
For detailed drawings please see our web-pages 'www.abb.com/motors&drives' or contact us.

General purpose brake motors in brief, basic design

Motor size		63 A/B BB	71	80	90	100	112	132	160	180	
Stator and feet	Material	Die-cast aluminum alloy. Loose feet in sizes 63MA/MB-100 and 180; feet integrated with stator in sizes 63A/B, 112-160.									
	Paint colour shade Paint	Munsell blue 8B 4.5/3.25 / NCS 4822 BO5G / RAL 5014 Exoxy polyester powder paint, 30 µm. 2-pack polyurethane paint, 20µm.									
Bearing end shields	Material	Die-cast aluminum alloy.									
	Paint colour shade Paint	Munsell blue 8B 4.5/3.25 / NCS 4822 BO5G Epoxy polyester powder paint, 30 µm. 2-pack polyurethane paint, 20µm									
Flanges	Material	Die-cast aluminum alloy.						Cast iron			
	Paint colour shade Paint	Munsell blue 8B 4.5/3.25 / NCS 4822 BO5G / RAL 5014 Epoxy polyester powder paint, 30 µm. 2-pack polyurethane paint, 20µm									
Bearings	D-end	6202- 2Z/C3	6203- 2Z/C3	6204- 2Z/C3	6205- 2Z/C3	6306- 2Z/C3	6206- 2Z/C3	6208- 2Z/C3	6309- 2Z/C3	6310- 2Z/C3	
	N-end	6202- 2Z/C3	6203- 2Z/C3	6204- 2Z/C3	6205- 2Z/C3	6206- 2Z/C3	6206- 2Z/C3	6208- 2Z/C3	6209- 2Z/C3	6209- 2Z/C3	
Axially locked bearings	System	Inner bearing circlip, on request. In sizes 71-80 mounting large flange.			Inner bearing cover at D-end.						
Bearing seals	D-end	V-ring									
	N-end	V-ring									
Lubrication		Permanently lubricated bearings. Grease for bearing temperatures -40...+160°C.									
Terminal box	Material Surface treatment Screws	Die-cast aluminum alloy. Similar to stator. Steel 5 G, chromated.									
Connections	Knock-out openings	1 x M16 + Pg11	2xM20 + Pg16		2 x(M25 + M20)		2 x(M25 + M20)		2 x (M40 + M16)		
	Max Cu area, mm ²	2.5	4		6		10		35		
	Terminal box	Screw terminal, 6 terminals.						Cable lugs, 6 terminals.			
Fan	Material	Polypropylene. Reinforced with 20% glass fibre.									
Fan cover	Material	Steel.									
Stator winding	Material Impregnation Insulation class	Copper. Polyester varnish. Tropicalised. Insulation class F. Temperature rise class B, unless otherwise stated.									
Stator winding temperature sensors		Optional.									
Rotor winding	Material	Die-cast aluminum.									
Balancing method		Half key balancing.									
Key ways		Closed key way.									
Enclosure		Motor, terminal box and brake electrical components: IP 55. Brake mechanical components: IP23 S (IP 55 optional).									
Cooling method		IC 411									

Single Phase Motors

Totally enclosed squirrel cage single phase low voltage motors,
Sizes 56 - 100, 0.065 to 2.2 kW



www.abb.com/motors&drives

- > Motors
- > Low voltage motors
- > General purpose motors

Mechanical design	216
Ordering information.....	222
Technical data.....	223
Rating plates	225
Variant codes	226
Dimension drawings.....	229
Single phase motors in brief	231

In many respects single phase motors have the same properties as three phase motors, and mechanically they meet the same standards. There are several types of single phase motors (CSR, PSC and PSC-reg.).

Each type has its benefits and limitations, as described in the section below.

Single phase motors are used in many industries and for many purposes.

Description and application

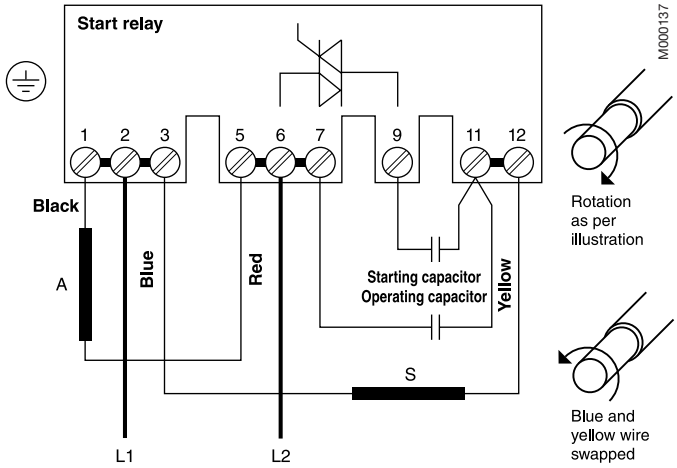
CSR

Starting and run capacitor

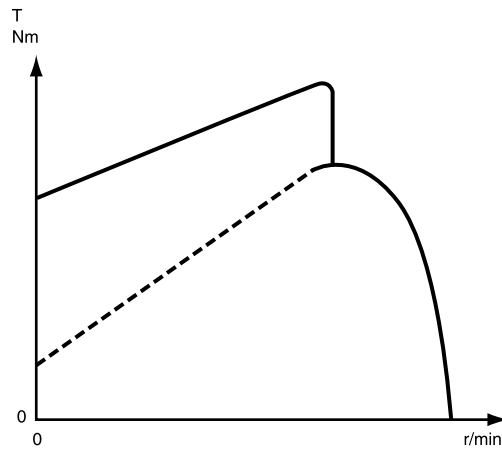
Single phase motor with attached run capacitor, starting capacitor and electronic start relay mounted in the terminal box.

The electronic start relay connects the starting capacitor instantly when the motor starts, and cuts out when the motor has reached its break-down torque. The connection time is limited to max. 2 sec., after which the starting capacitor is disconnected, regardless of whether the motor has reached its breakdown torque. The starter relay cannot reconnect until the mains voltage to the motor has been disconnected; this protects the starting capacitor and ensures that the motor can be protected with a thermal motor line circuit breaker.

The CSR motor with a starting torque of 140 - 160% is suitable for applications that require a high starting torque, such as compressors, hydraulic pumps that start with back pressure and centrifugal pumps where the shaft seal requires a high breakaway torque.



CSR model with electronic start relay.

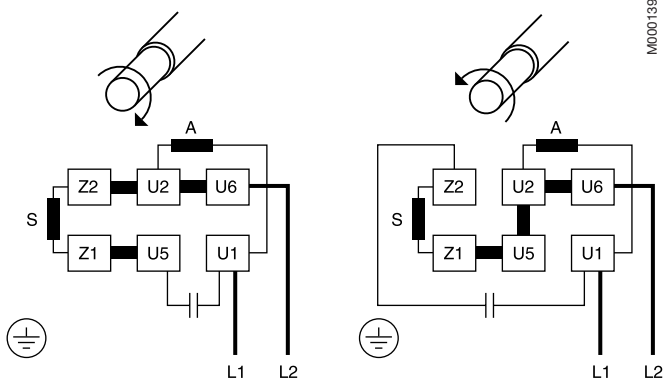


Torque curve for CSR motor.

PSC

Run capacitor

Single-phase motor with attached run capacitor. The starting torque is 30 - 70%, which makes this motor particularly suitable for applications with low starting torque requirements, such as fans, circular saws, polishing machines and centrifugal pumps where the shaft seal does not require a high breakaway torque.



Basic PSC model.

PSC

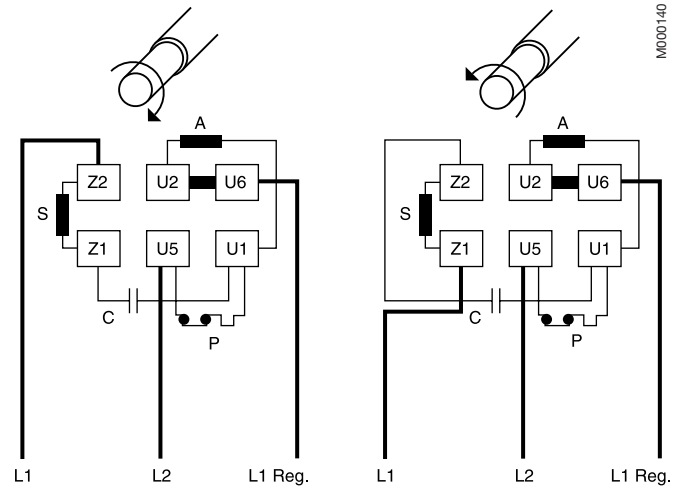
for speed regulation

The motor's speed can be regulated by changing the voltage to the motor (twin-cable regulation) or by only changing the voltage to the circuit winding (three-cable regulation). The best regulation and the minimum loss in the motor is achieved only by changing the voltage to the circuit winding.

The voltage can be regulated using a transformer or a Triac control. The Triac control provides a greater loss in the motor and can contribute to noise in the motor.

To achieve good speed regulation it is important that the motor is suitable for the load. If the motor is too large for the load the regulation range will be small; at full speed the motor should not be loaded with less than 80% of its full load. With correct dimensioning it is possible to regulate speed down to approx. 30% of nominal speed.

Speed regulation is suitable for the following applications: fans where blades are mounted directly on the motor shaft and centrifugal pumps where the shaft seal does not require a high breakaway torque.

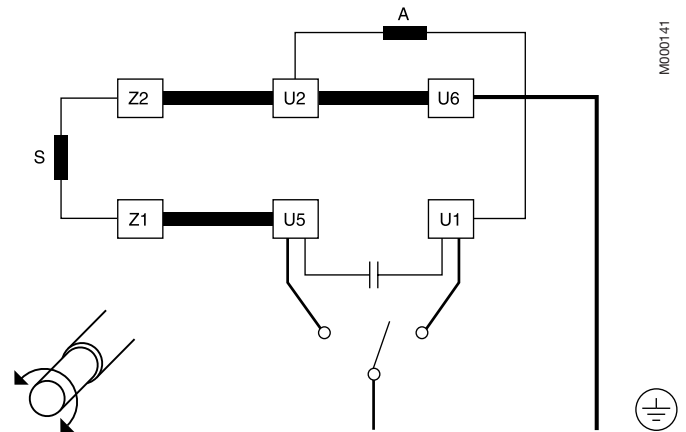


PSC model. Regulation of number of revolutions using electronic device (TRIAC).

Reversing

As a rule a single phase motor can only reverse when it stops completely before the rotational direction is changed. In CSR motors it is also important that the capacitor is discharged before the voltage is reconnected, as otherwise the starter relay will not connect the starter capacitor.

It is possible to design a PSC motor that is suitable for reversing. The motor has a joint start and circuit winding, which provides for very simple switching.



No load

Standard single phase motors cannot run idle for a long period. The losses are greater when running idle than at full load. If the motor is to run idle for a long period, specially designed windings must be produced.

Mechanical design

Stator

Stator framework, bearing shields and feet are made of aluminum alloy with low copper content.

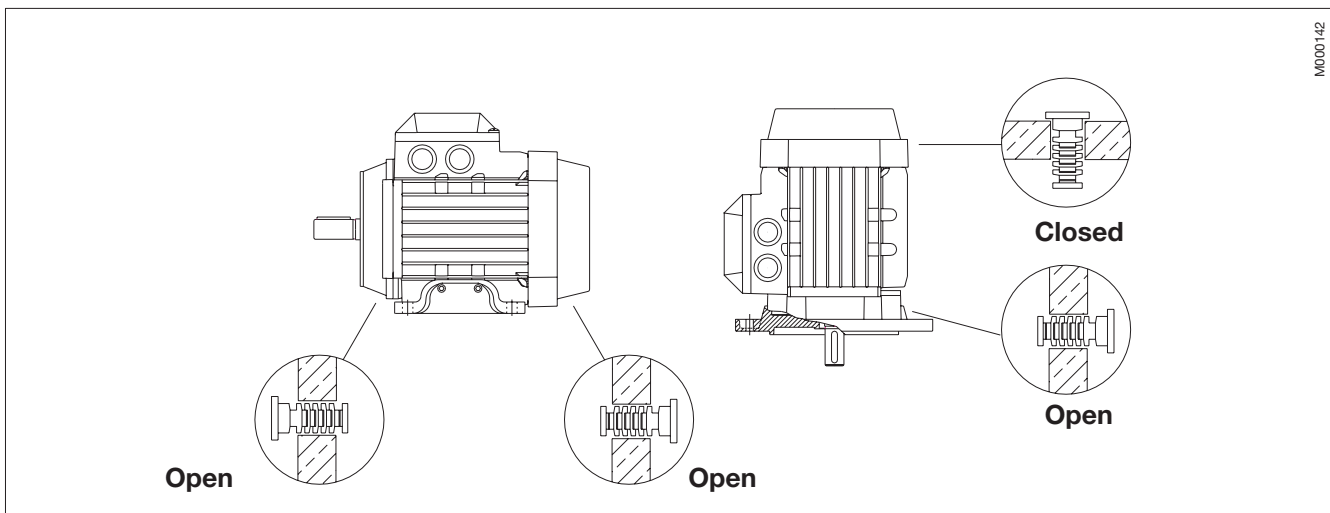
Drain holes

Motors that will be operated in very humid or wet environments, and especially under intermittent duty, should be provided with drain holes. The appropriate IM designation, such as IM 3031, is specified on the basis of the method of mounting the motor.

In the basic design motors are supplied with drain holes as standard (see diagram below) on both D-end and N-end.

When mounting the motors, it should be ensured that the drain hole faces downwards. In the case of vertical mounting, the upper plug must be hammered home. In very dusty environments both plugs should be hammered home.

See variant codes 065 and 066 under the heading "Drain holes".



Terminal box and connections

Terminal box for sizes 56 to 63

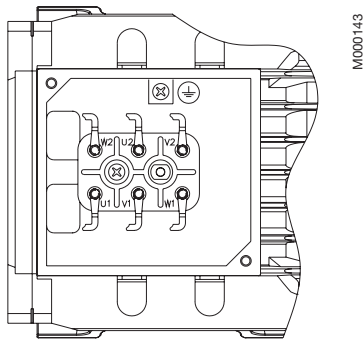
The terminal box is made of aluminum and is located on top of the stator as standard. It is provided with two knockout openings (one Pg and one metric) and can be turned 4x90°.

Cable glands are not included. The size of the box is the same in size 56 and 63.

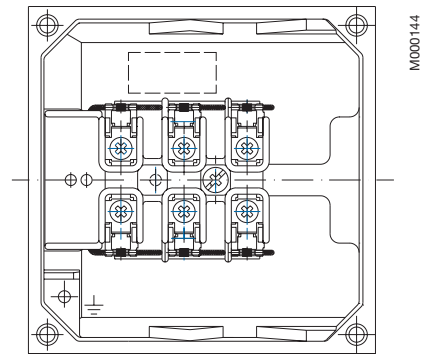
Position of terminal box

Motor size	Terminal box		
	on top	right side	left side
56-63	standard	-	-
71-100	standard	on request	on request

Terminal box examples



Motor sizes 56-80.



Motor sizes 90-100.

Terminal box for sizes 71 to 100

The terminal box is made of aluminum and is located either on the top of the motor, or on either side of the motor. The lower part of the box is integrated with the stator and allows cable entries from both sides.

It is provided with two knockout openings on each side. Cable glands are not included.

Degree of protection of standard terminal box is IP 55.

Connections

The terminal block is provided with 6 terminals for connecting Cu-cable. The terminals are marked in accordance with IEC 60034-8.

Connection openings

Motor size	Opening	Metric cable entry	Cable diameter, mm, min-max	Terminal bolt size	Maximum connectable Cu-cable area, mm ²
56-63	Knock-out opening	1 x M16 x 1.5; 1 x Pg 11	5-12	M4	2.5
71-80	Knock-out opening	2 x M20 x 1.5; 1 x Pg 16	8-15	M4	4
90-100	Knock-out opening	2 x (M25 + M20) x 1.5	11-16	M4	2.5 (for PCS) or 1.5 (for CSR)

Bearings

The motors are provided with bearings, according to the tables on the right.

Motor size	Standard bearing type	
	D-end	N-end
56	6201-2Z/C3	6201-2Z/C3
63	6202-2Z/C3	6201-2Z/C3
71	6203-2Z/C3	6202-2Z/C3
80	6204-2Z/C3	6203-2Z/C3
90	6205-2Z/C3	6204-2Z/C3
100	6306-2Z/C3	6205-2Z/C3

Axially-locked bearings

The table on the right shows which of the motor's bearings is axially locked in the bearing seat. In motor sizes 56 to 80 the locking is done by an inner bearing circlip, in motor sizes 90 and 100 by an inner bearing cover.

Motor size	Foot-mounted motors	Flange-mounted motors	
		Large flange	Small flange
56-63	On request	On request	On request
71-80	On request	D-end	On request
90-100	D-end ¹⁾	D-end ¹⁾	D-end ¹⁾

¹⁾ A spring washer at N-end presses the rotor towards D-end.

Lifetime of bearing/grease

The motors are supplied with bearings that are lubricated for life with a bearing grease for use at normal temperatures in dry or humid environments.

The grease's operating temperature is between -40 and +160°C. See also variant code 039 under the heading "Bearings and Lubrication".

The life time of the grease L10 is defined as the number of operating hours after which 90% of the bearings are sufficiently well lubricated. 50% of the bearings can achieve a grease life time that is twice as long.

The maximum life time of the grease should, however, be considered to be 40,000 hours, equivalent to around 5 years.

Motor size	No. of poles	Hours
56-80	2-6	40.000
90	2	30.000
90	4-6	40.000
100	2	28.000
100	4-6	40.000

8

Pulley diameter

When the desired bearing life has been determined, the minimum permissible pulley diameter can be calculated with FR, according to the formula:

$$D = \frac{1.9 \cdot 10^7 \cdot K \cdot P}{n \cdot FR}$$

Where:

D = diameter of pulley, mm

P = power requirement, kW

n = motor speed, r /min

K = belt tension factor, dependent on belt type and type of duty. A common value for V belts is K= 2.5

FR = permissible radial force

Permissible loading on shaft

The table below shows the permitted radial force in Newtons at zero axial force.

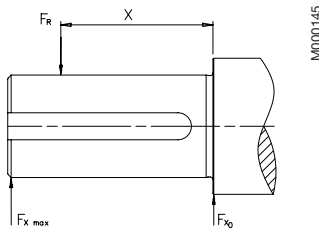
The permitted load of combined radial and axial force is available on request.

The bearing's life time, L_{10} , is calculated according to SKF's new theory on the life time of bearings, L_{10aah} , which also takes into account the purity of the grease.

If the radial force is applied between points X_0 and X_{max} , the permissible force F_R can be calculated from the following formula:

$$F_R = F_{X_0} - \frac{X}{E} (F_{X_0} - F_{X_{max}})$$

E = length of shaft extension in basic version



Permissible radial forces

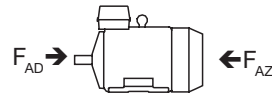
Motor size	No. of poles	Length of shaft extension E (mm)	Ball bearings			
			Basic design with deep groove ball bearings			
			25,000 hours		40,000 hours	
			F_{X_0} (N)	$F_{X_{max}}$ (N)	F_{X_0} (N)	$F_{X_{max}}$ (N)
56	2	20	240	200	260	200
56	4	20	300	200	280	200
56	6-8	20	340	280	340	280
63	2-4	30	490	400	490	400
71	2-6	30	680	570	680	570
80	2-6	40	930	750	930	750
90	2-6	50	1010	810	1010	810
100	2-6	60	2280	1800	2280	1800

Permissible axial forces

The following tables give the permissible axial forces in Newton, assuming zero radial force.

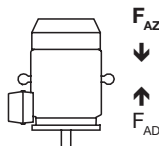
The permitted load of combined radial and axial force is available on request.

Mounting arrangement IM B3



Motor size	25,000 hours						40,000 hours					
	2-pole		4-pole		6-pole		2-pole		4-pole		6-pole	
	F_{AD} N	F_{AZ} N	F_{AD} N	F_{AZ} N	F_{AD} N	F_{AZ} N	F_{AD} N	F_{AZ} N	F_{AD} N	F_{AZ} N	F_{AD} N	F_{AZ} N
56	470	230	520	280	540	300	430	190	470	230	480	240
63	790	390	865	465			720	320	780	380		
71	985	485	1070	570	1135	635	900	400	970	470	1020	520
80	1305	705	1420	820	1505	905	1185	585	1285	685	1350	750
90	1360	930	1490	1070	1590	1165	1225	800	1335	915	1415	990
100	2805	1945	3075	2215	3260	2400	2540	1680	2760	1900	2910	2050

Mounting arrangement IM V1



Motor size	25,000 hours						40,000 hours					
	2-pole		4-pole		6-pole		2-pole		4-pole		6-pole	
	F_{AD} N	F_{AZ} N	F_{AD} N	F_{AZ} N	F_{AD} N	F_{AZ} N	F_{AD} N	F_{AZ} N	F_{AD} N	F_{AZ} N	F_{AD} N	F_{AZ} N
56	470	230	520	270	540	290	430	190	470	230	480	240
63	790	380	875	455			725	310	790	370		
71	998	470	1085	555	1150	620	910	385	985	455	1035	505
80	1320	685	1445	790	1530	880	1200	565	1310	655	1375	725
90	1390	900	1525	1035	1625	1130	1225	770	1370	880	1450	955
100	2855	1890	3135	2155	3320	2340	2590	1625	2820	1840	2970	1990

Ordering information

Sample order

When placing an order, please state the following minimum data in the order, as in the example.

The product code of the motor is composed in accordance with the following example.

Motor type	M3VD 80C
Pole number	2
Mounting arrangement (IM-code)	IM B3 (IM 1001)
Rated output	1.4 kW
Product code	3GVD 081003-ASB
Variant codes if needed	

A	B	C	D, E, F	G	A	Motor type	
M3VD	80 C	3GVD 081 003	- ASB,	122, 053, etc.	C	Product code	
		1 2 3 4	5-6 7	8-10	11 12 13 14...	D	Mounting arrangement code
						E	Voltage/frequency code
						F	Generation code
						G	Variant codes

Explanation of the product code

Positions 1 and 2

3G = Business area LV Motors

Position 3 and 4

Enclosure and stator frame material

A, V = Totally enclosed motor with aluminum stator frame

Position 4

Motor type

D = Single-phase motor - CSR

E = Single-phase motor - PSC

Positions 5 and 6

IEC size

05 = 56

06 = 63

07 = 71

08 = 80

09 = 90

10 = 100

Position 7

Speed (pole pairs)

1 = 2 poles

2 = 4 poles

3 = 6 poles

Positions 8 to 10

Serial number

Position 11

- (dash)

Position 12

Mounting arrangement

A = Foot-mounted motor.

B = Flange-mounted motor.

Large flange with clearance holes.

C = Flange-mounted motor.

Small flange with threaded holes.

H = Foot- and flange-mounted motor.

Large flange with clearance holes.

J = Foot- and flange-mounted motor.

Small flange with threaded holes.

N = Flange-mounted (CI ring flange FF).

P = Foot- and flange-mounted motor.

(CI ring flange FF).

V = Flange-mounted motor. Special flange.

Position 13

Voltage/frequency code

S = 230-240 V 50 Hz.

X = Other rated voltage, connection or frequency.

Position 14

B, E = Generation code

The product code must be, if needed, followed by variant codes.

General purpose single phase motors

CSR motors, starting torque approx. 140-160 %

IP 55 – IC 411 – Insulation class F, temperature rise class B

Output kW	Type designation	Product code	Speed r/min	Efficiency %	Power factor cos φ	Current		Torque			Capacitor		Moment of inertia $J=1/4 GD^2$ kgm ²	Weight kg
						I_N A	I_s I_N	T_N Nm	T_s T_N	T_{max} T_N	Start μF	Run μF		
3000 r/min = 2 poles 230 V 50 Hz														
0.18	M3VD 63 A	3GVD 061001-••B	2820	56.5	0.92	1.6	3.3	0.61	2.0	2.0	16	8	0.00016	5
0.25	M3VD 63 B	3GVD 061002-••B	2820	60.5	0.94	1.95	3.6	0.85	2.0	2.1	20	10	0.00036	5.5
0.37	M3VD 71 A	3GVD 071001-••B	2855	71.5	0.99	2.3	4.8	1.25	1.7	1.8	40	10	0.0004	6
0.55	M3VD 71 B	3GVD 071002-••B	2860	72.5	0.99	3.4	4.8	1.85	1.7	1.8	60	16	0.00045	7
0.75	M3VD 71 C	3GVD 071003-••B	2860	74.5	0.99	4.4	4.9	2.5	1.7	1.8	60	20	0.0005	7.5
0.75	M3VD 80 A	3GVD 081001-••B	2860	73.0	0.99	4.4	4.6	2	1.8	2.2	80	20	0.00072	9.5
1.1	M3VD 80 B	3GVD 081002-••B	2860	74.5	0.99	6.5	4.6	3.7	1.7	2.1	100	25	0.00076	11.5
1.4 ¹⁾	M3VD 80 C	3GVD 081003-••B	2860	75.5	0.99	8.2	4.8	4.7	1.7	2.0	100	30	0.00109	12
1.5	M3AD 90 L	3GAD 091202-••E	2910	80.0	0.99	8.2	4.6	5	1.4	1.9	130	40	0.0019	13
1500 r/min = 4 poles 230 V 50 Hz														
0.12	M3VD 63 A	3GVD 062001-••B	1350	49.5	0.95	1.2	3.0	0.85	1.6	1.5	16	4	0.00026	5
0.18	M3VD 63 B	3GVD 062002-••B	1360	55.0	0.97	1.5	3.0	1.25	1.6	1.5	20	6	0.0003	5.5
0.25	M3VD 71 A	3GVD 072001-••B	1410	64.0	0.99	1.75	4.3	1.7	1.7	1.6	40	6	0.00066	6
0.37	M3VD 71 B	3GVD 072002-••B	1410	67.5	0.98	2.45	4.5	2.5	1.7	1.6	60	8	0.00089	7
0.5	M3VD 71 C	3GVD 072003-••B	1410	68.5	0.98	3.2	4.5	3.4	1.7	1.6	60	12	0.0011	7.5
0.55	M3VD 80 A	3GVD 082001-••B	1410	70.5	0.93	3.7	4.0	3.7	1.9	1.8	60	16	0.00125	9.5
0.75	M3VD 80 B	3GVD 082002-••B	1410	72.0	0.93	4.9	4.1	5.1	2.0	1.8	80	20	0.00156	11
0.95	M3VD 80 C	3GVD 082003-••B	1410	73.0	0.93	6.1	4.1	6.1	1.8	1.8	80	16	0.00194	11.5
1.1	M3AD 90 S	3GAD 092201-••E	1420	76.0	0.99	6.3	4.0	7.35	1.6	1.5	100	30	0.0032	13
1.5	M3AD 90 L	3GAD 092202-••E	1430	79.5	0.99	8.3	4.3	10	1.9	1.7	130	40	0.0043	16
1.7	M3AD 90 LB	3GAD 092203-••E	1430	79.5	0.99	9.4	3.4	11.5	1.3	1.6	130	60	0.0048	17
1.85	M3AD 100 LA	3GAD 102201-••E	1390	76.5	0.99	10.6	3.0	12.7	1.3	1.4	100	50	0.0069	21
2.2	M3AD 100 LB	3GAD 102202-••E	1400	79.5	0.99	12	3.2	15	1.2	1.5	80	50	0.00682	24
1000 r/min = 6 poles 230 V 50 Hz														
0.18	M3VD 71 A	3GVD 073001-••B	880	52.0	0.99	1.5	2.8	1.95	1.5	1.3	20	10	0.00063	6
0.25	M3VD 71 B	3GVD 073002-••B	880	59.0	0.99	1.9	3.0	2.7	1.5	1.3	40	12	0.00081	7
0.32	M3VD 71 C	3GVD 073003-••B	880	61.0	0.99	2.3	3.0	3.5	1.5	1.3	40	16	0.0011	7.5
0.37	M3VD 80 A	3GVD 083001-••B	900	65.0	0.97	2.6	3.0	3.9	1.8	1.5	40	12	0.00184	9.5
0.55	M3VD 80 B	3GVD 083002-••B	900	66.0	0.97	3.8	3.1	5.8	1.8	1.5	40	20	0.00217	10.5
0.65 ¹⁾	M3VD 80 C	3GVD 083003-••B	900	67.5	0.97	4.3	3.2	6.9	1.8	1.5	60	25	0.00257	11.5
0.85	M3AD 90 L	3GAD 093202-••E	930	71.0	0.96	5.4	3.9	8.65	1.7	1.4	80	25	0.0043	16

¹⁾ Temperature rise class F.

The bullets in the product code indicate choice of mounting arrangement, voltage and frequency, generation code (see ordering information page).



General purpose single phase motors

PSC motors, starting torque 30-70 %

IP 55 – IC 411 – Insulation class F, temperature rise class B

Output kW	Type designation	Product code	Speed r/min	Efficiency %	Power factor cos φ	Current		Torque			Capacitor Run μF	Moment of inertia J=1/4 GD ² kgm ²	Weight kg
						I _N A	I _s A	T _N Nm	T _s Nm	T _{max} Nm			
3000 r/min = 2 poles													
230 V 50 Hz													
0.065	M3VE 56 A	3GVE 051 001-••B	2830	39.0	0.86	0.87	2.5	0.22	0.4	1.9	4	0.00011	3.5
0.09	M3VE 56 B	3GVE 051 002-••B	2820	43.0	0.84	1.15	2.6	0.31	0.4	1.8	4	0.00012	4
0.12	M3VE 56 BB	3GVE 051 003-••B	2800	48.0	0.95	1.15	2.5	0.41	0.4	1.3	6	0.00012	4
0.18	M3VE 63 A	3GVE 061 001-••B	2820	55.0	0.90	1.6	2.9	0.61	0.5	1.9	8	0.00016	5
0.25	M3VE 63 B	3GVE 061 002-••B	2810	59.5	0.94	1.95	3.0	0.85	0.6	1.8	10	0.00036	5.5
0.37	M3VE 71 A	3GVE 071 001-••B	2750	65.5	0.97	2.6	3.0	1.3	0.6	1.7	12	0.0004	6
0.55	M3VE 71 B	3GVE 071 002-••B	2750	67.5	0.97	3.7	3.0	1.95	0.6	1.7	16	0.00045	7
0.65	¹⁾ M3VE 71 C	3GVE 071 003-••B	2750	68.5	0.97	4.3	3.2	2.25	0.6	1.7	20	0.0005	7.5
0.75	M3VE 80 A	3GVE 081 001-••B	2760	68.5	0.96	5	3.5	2.6	0.4	1.6	20	0.00072	9.5
0.9	M3VE 80 B	3GVE 081 002-••B	2775	70.5	0.96	5.8	3.7	3.1	0.5	1.6	25	0.00076	11.5
1.1	¹⁾ M3VE 80 C	3GVE 081 003-••B	2800	72.0	0.97	7.4	3.9	3.75	0.4	1.7	30	0.00109	12
1.5	M3AE 90 L	3GAE 091 102-••E	2850	76.5	0.99	8.7	4.2	5.1	0.4	2.0	40	0.0024	16
1500 r/min = 4 poles													
230 V 50 Hz													
0.065	M3VE 56 A	3GVE 052 001-••B	1360	38.0	0.87	0.9	2.0	0.46	1.1	1.6	4	0.00018	4
0.09	M3VE 56 B	3GVE 052 002-••B	1340	39.0	0.95	1.1	1.8	0.64	1.0	1.5	6	0.00018	4
0.12	M3VE 63 A	3GVE 062 001-••B	1350	48.5	0.92	1.2	1.9	0.85	0.7	1.5	6	0.00026	5
0.18	M3VE 63 B	3GVE 062 002-••B	1360	55.0	0.95	1.5	1.9	1.25	0.6	1.5	8	0.0003	5.5
0.25	M3VE 71 A	3GVE 072 001-••B	1350	57.5	0.95	2	2.6	1.8	0.6	1.5	12	0.00066	6
0.3	M3VE 71 B	3GVE 072 002-••B	1360	62.0	0.95	2.2	2.7	2.1	0.7	1.5	16	0.00089	7
0.37	M3VE 71 C	3GVE 072 003-••B	1370	64.0	0.95	2.7	3.1	2.6	0.7	1.6	20	0.0011	7.5
0.55	M3VE 80 A	3GVE 082 001-••B	1340	64.0	0.91	4.1	3.3	3.85	0.6	1.6	16	0.00125	9.5
0.65	M3VE 80 B	3GVE 082 002-••B	1360	67.0	0.91	4.7	3.3	4.6	0.6	1.6	20	0.00156	11
1.3	M3AE 90 L	3GAE 092 102-••E	1330	72.0	0.99	7.9	2.3	9.3	0.4	1.3	30	0.0043	16
1.5	M3AE 90 LB	3GAE 092 103-••E	1340	73.0	0.99	9	2.3	10.6	0.4	1.3	40	0.0048	17
1.85	M3AE 100 LA	3GAE 102 101-••E	1380	75.5	0.99	10.7	2.6	12.8	0.3	1.3	50	0.0069	21
2.2	M3AE 100 LB	3GAE 102 102-••E	1400	78.5	0.99	12.2	3.1	14.9	0.3	1.6	50	0.0082	24
1000 r/min = 6 poles													
230 V 50 Hz													
0.12	M3VE 71 A	3GVE 073 001-••B	850	45.0	0.96	1.25	1.8	1.35	0.8	1.3	8	0.00063	6
0.18	M3VE 71 B	3GVE 073 002-••B	860	48.0	0.96	1.7	1.9	2.1	0.8	1.4	10	0.00081	7
0.25	M3VE 71 C	3GVE 073 003-••B	860	51.5	0.96	2.2	1.9	2.8	0.8	1.4	12	0.0011	7.5
0.3	M3VE 80 A	3GVE 083 001-••B	900	56.5	0.91	2.5	2.5	3.2	0.7	1.5	12	0.00184	9.5
0.37	M3VE 80 B	3GVE 083 002-••B	900	58.5	0.92	3	2.5	3.9	0.7	1.5	12	0.00217	10.5
0.55	¹⁾ M3VE 80 C	3GVE 083 003-••B	880	59.5	0.90	4.5	2.5	6	0.7	1.4	16	0.00257	11.5

¹⁾ Temperature rise class F.

The bullets in the product code indicate choice of mounting arrangement, voltage and frequency, generation code (see ordering information page).

General purpose single phase motors

PSC motors for speed regulation

IP 55 – IC 411 – Insulation class F, temperature rise class B

Output kW	Type designation	Product code	Speed r/min	Efficiency %	Power factor cos φ	Current		Torque		Capacitor	Moment of inertia J=1/4 GD ² kgm ²	Weight kg
						I _N A	I _S A	T _N Nm	T _S Nm	Run μ F		
1500 r/min = 4 poles			230 V 50 Hz									
0.7	M3AE 90 S	3GAE 092 201-••E	1360	71.00	0.99	4.4	2.3	4.9	0.5	25	0.0032	13
0.9	M3AE 90 L	3GAE 092 202-••E	1370	73.50	0.99	5.4	2.3	6.3	0.4	30	0.0043	16
1000 r/min = 6 poles			230 V 50 Hz									
0.75	M3AE 90 L	3GAE 093 202-••E	850	64.50	0.99	5.1	1.8	8.35	0.5	30	0.0043	16

The bullets in the product code indicate choice of mounting arrangement, voltage and frequency, generation code (see ordering information page).

Rating plate

The standard rating plates is in aluminum. Rating plate is available in stainless steel, see variant code 098.

Motor sizes 56 to 71

ABB Motors		CE	
CL.F IP55 IEC 34	S2-15'		
Motor 1 ~ M3VE071B-6			
2100702-V			
KW 0.15	cos φ 0.99		
V 230 - 240	A 2.3		
r/min 930	Hz 50	Kg	
μ F C RUN 20	/V 450		

M000146

Motor sizes 90 to 100

ABB Motors		CE			
3-Motor M3AD 090 L		CL.F IP 55	IEC 60034-1		
3GAD092202-ASE					
N°.					
V	Hz	r/min	kw	A	Cos φ
230-240	50	1410	1,50	8,60	0,99
IM1081 CSR					
C RUN 40 μ F/400V		C START 130 μ F/330V		16 kg	

M000147

Motor size 80

ABB Motors		CE	
Motor 1 CL.F IP55 IEC 34-1			
M3VE80C-4		1978314-V	
520000003105		Kw. 0.55	cos φ 0.95
V 230 - 240	3.90 A	r/min 1365	Hz 50
μ F C RUN 20	V 450	Kg	

M000148

General purpose single phase motors – Variant codes

Code 1)	Variant	Motor size		
		56-63	71-80	90-100
Balancing				
052	Vibration acc. to grade A (IEC 60034-14).	P	P	P
423	Balancing without key.	P	P	P
424	Balancing with full key.	P	P	P
Bearings and lubrication				
036	Transport lock for bearings.	NA	NA	M
037	Roller bearing at D-end. Transport lock included.	NA	NA	M
039	Cold resistant grease. For bearing temperatures -55...+100°C.	M	M	M
040	Heat resistant grease. For bearing temperatures -25...+150°C. Mandatory for ambient temperatures > 50°C.	M	M	M
041	Bearings regreasable via grease nipples.	NA	NA	M
042	Internal bearing cover, locked at D-end.	NA	M	M
057	2RS bearings at both ends. Grease for bearing temperatures -20...+110°C.	M	M	M
058	Angular contact ball bearing at D-end, shaft force away from bearing. Transport lock included.	NA	NA	M
059	Angular contact ball bearing at D-end, shaft force away towards bearing. Transport lock included.	NA	NA	M
188	63-series bearings.	NA	NA	M
Branch standard design				
079	Silumin-alloy rotor cage.	NA	P	P
178	Stainless steel/acid proof bolts	M	M	M
209	Non-standard voltage or frequency (special winding)	P	P	P
425	Corrosion protected stator and rotor core.	P	P	M
Cooling system				
068	Metal fan.	NA	M	M
075	Cooling method IC 418 (without fan).	P	P	P
183	Separate motor cooling (fan axial, N-end).	NA	M	R
Dimension drawing				
141	Binding dimension drawing.	M	M	M
Drain holes				
066	Modified drain hole position.	M	M	M
Earthing bolt				
067	External earthing bolt. Earthing screw for connection of external protective earth.	M	M	M
Heating elements				
	Motor size	Element capacity		
	56-71	8 W		
	80-100	25 W		
450	Heating element 100-120 V.	M	M	M
451	Heating element 200-240 V.	M	M	M

1) Certain variant codes cannot be used simultaneously.

S = Included as standard.
M = On modification of a stocked motor, or on new manufacture, the number per order may be limited.

P = New manufacture only.
R = On request.
NA = Not applicable.

Code 1)	Variant	Motor size		
		56-63	71-80	90-100
Insulation systems				
014	Winding insulation class H (PSC-motors only).	P	P	P
Mounting arrangements				
008	IM 2101 foot/flange mounted, from IM 1001 (B34 from B3).	M	M	M
009	IM 2001 foot/flange mounted, from IM 1001 (B35 from B3).	M	M	M
047	IM 3601 flange mounted, IEC flange, from IM 3001 (B14 from B5).	M	M	M
048	IM 3001 flange mounted, IEC flange, from IM 3601 (B5 from B14).	M	M	M
078	IM 3601 flange-mounted, DIN C flange. Large flange with tapped holes. Larger flange than standard version.	NA	P	NA
080	IM 3001 flange-mounted, DIN A flange. Large flange with clearance holes. Larger flange than standard version.	NA	P	NA
200	Flange ring holder.	NA	P	M
217	Cast iron D-end shield.	NA	NA	M
218	Flange ring FT 85.	NA	P	M (only 90)
219	Flange ring FT 100.	NA	P	M (only 90)
220	Flange ring FF 100.	NA	P	M (only 90)
223	Flange ring FT 115.	NA	P	M (only 90)
224	Flange ring FF 115.	NA	P	M (only 90)
226	Flange ring FT 135.	NA	P	M
227	Flange ring FF 135.	NA	P	M
233	Flange ring FT 165.	NA	P	M
234	Flange ring FF 165.	NA	P	M
243	Flange ring FT 215.	NA	NA	M (only 100)
244	Flange ring FF 215.	NA	NA	M (only 100)
Painting				
114	Special paint colour, standard grade	M	M	M
179	Special paint specification.	NA	NA	R
Protection				
005	Protective roof, vertical motor, shaft down.	M	M	M
072	Radial seal at D-end.	P	P	M
073	Sealed against oil at D-end.	P	P	NA
158	Degree of protection IP 65.	M	M	P
211	Weather protected, IP xx W.	NA	NA	P
403	Degree of protection IP 56. Water from waves which splash over must not enter in serious quantities.	P	P	P
Rating & instruction plates				
002	Restamping voltage, frequency and output, continuous duty.	M	M	M
003	Individual serial number.	P	P	M
098	Stainless rating plate.	M	M	M
138	Mounting of additional identification plate.	M	M	M
139	Additional identification plate delivered loose.	M	M	M
161	Additional rating plate delivered loose.	M	M	M

1) Certain variant codes cannot be used simultaneously.

S = Included as standard.

M = On modification of a stocked motor, or on new manufacture, the number per order may be limited.

P = New manufacture only.

R = On request.

NA = Not applicable.

Code 1)	Variant	Motor size		
		56-63	71-80	90-100
Shaft and rotor				
069	Two shaft extensions as per basic catalogue. Standard shaft material.	P	P	P
070	One or two special shaft extensions, standard shaft material.	P	P	P
165	Shaft extension with open key-way.	P	P	P
410	Stainless/acid-proof steel shaft, standard or non-standard design. One or two shaft extensions.	P	P	P
Standards and regulations				
010	Fulfilling CSA Safety Certificate.	P	P	P
029	Fulfilling Underwriters Laboratory (UL) requirements.	NA	NA	P
Stator winding temperature sensors				
121	Bimetal detectors, break type (NCC), (3 in series), 130°C, in stator winding.	M	M	R
122	Bimetal detectors, break type (NCC), (3 in series), 150°C, in stator winding.	M	M	M
435	PTC-thermistors (3 in series), 130°C in stator winding.	M	M	M
436	PTC-thermistors (3 in series), 150°C in stator winding.	M	M	M
437	PTC-thermistors (3 in series), 170°C in stator winding.	M	M	M
Terminal box				
021	Terminal box LHS (seen from D-end).	NA	M	M
136	Extended cable connection, standard terminal box.	P	P	M
137	Extended cable connection, low terminal box.	P	P	P
180	Terminal box RHS (seen from D-end).	NA	M	M
230	Standard cable gland.	M	M	M
731	Two standard cable glands.	NA	M	M
Testing				
146	Type test with report for motor from specific delivery batch.	P	P	P
147	Type test with report for motor from specific delivery batch, customer witnessed.	P	P	P
148	Routine test report.	P	P	R
149	Test according to separate test specification.	NA	NA	R
221	Type test and multi-point load test with report for motor from specific delivery batch.	R	R	P
222	Torque/speed curve, type test and multi-point load test with report from specific delivery batch.	R	R	P
760	Vibration level test.	P	P	R
762	Noise level test.	P	P	P

1) Certain variant codes cannot be used simultaneously.

1) Certain variant codes cannot be used simultaneously.

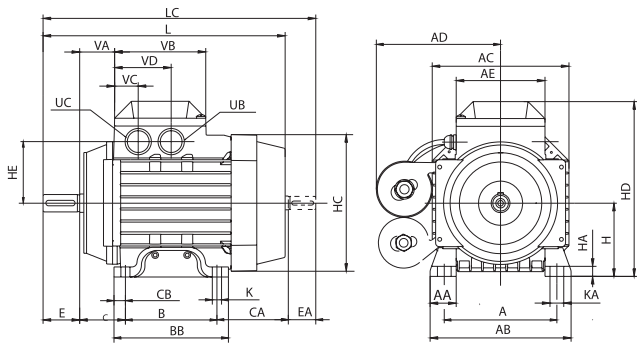
S = Included as standard.
M = On modification of a stocked motor,
or on new manufacture,
the number per order may be limited.

P = New manufacture only.
R = On request.
NA = Not applicable.

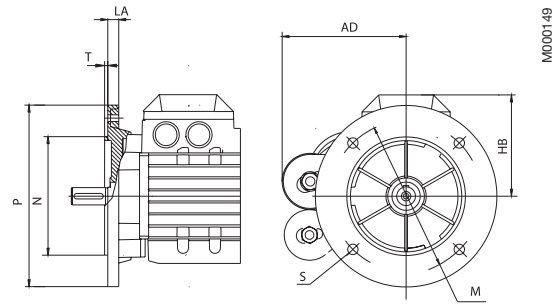
General purpose single phase motors

Dimension drawings

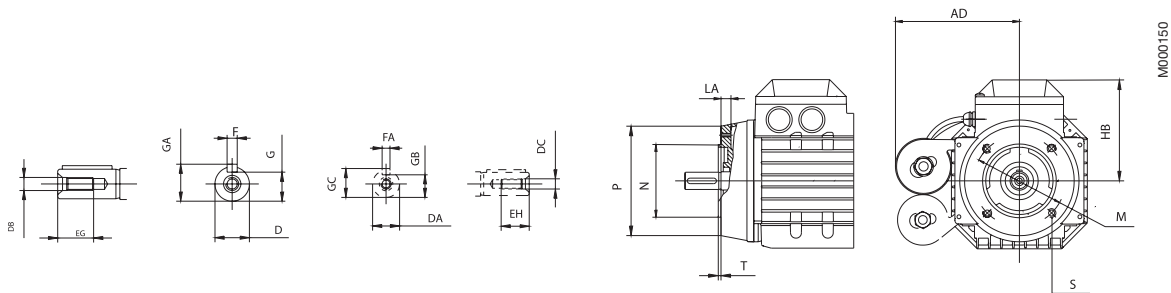
Foot-mounted motor IM B3 (IM 1001)



Flange-mounted motor IM B5 (IM 3001), large flange



IM B14 (IM 3601), small flange



IM B3 (IM 1001)

Motor size	A	AA	AB	AC	AD	AE	B	BB	C	CA	CB	D	DA	DB	DC	E	EA	EG	EH	F	FA
56	90	18	108	110	110	72	71	85	36	78	7	9	9	M3	M3	20	20	9	9	3	3
63	100	26	120	120	110	72	80	96	40	71	8	11	11	M4	M4	23	23	10	10	4	4
71	112	24	136	130	125	85	90	110	45	78	10	14	11	M5	M4	30	23	13	10	5	4
80	125	28	154	150	130	97	100	125	50	80	12.5	19	14	M6	M5	40	30	16	13	6	5
90 S	140	27	170	177	140	110	100	125	56	81	12.5	24	14	M8	M5	50	30	19	12.5	8	5
90 L	140	27	170	177	135	110	125	150	56	81	12.5	24	14	M8	M5	50	30	19	12.5	8	5
100 L	160	32	197	197	155	110	140	172	63	91	16	28	19	M10	M6	60	40	22	19	8	6

Motor size	G	GA	GB	GC	H	HA	HC	HD	HE	K	KA	L	LC	UB	UC	VA	VB	VC	VD
56	7.2	10.2	7.2	10.2	56	8	110	159	71	5.8	9	197	225	Pg11	M16x1.5	30	72	26	53
63	8.5	12.5	8.5	12.5	63	10	120	171	76	7	11	205	237	Pg11	M16x1.5	36	72	26	53
71	11	16	8.5	12.5	71	9	130	176	63	7	10	238	266	Pg16	M20x1.5	35	92	22	57
80	15.5	21.5	11	16	80	10	150	190	67	10	15	265	300	Pg16	M20x1.5	37	100	26	61
90 S	20	27	11	16	90	10	177	217	82.5	10	14	282	317	M20x1.5	M25x1.5	43.5	110	33	67
90 L	20	27	11	16	90	10	177	217	82.5	10	14	307	342	M20x1.5	M25x1.5	43.5	110	33	67
100 L	24	31	15.5	21.5	100	12	197	237	92.5	12	15	349	394	M20x1.5	M25x1.5	47	110	33	67

IM B5 (IM 3001)

Motor size	HB	LA	M	N	P	S	T
56	103	10	100	80	120	7	3
63	108	10	115	95	140	10	3
71	105	10	130	110	160	10	3.5
80	110	12	165	130	200	12	3.5
90 S	127	10	165	130	200	12	3.5
90 L	127	10	165	130	200	12	3.5
100 L	137	11	215	180	200	15	4

IM B14 (IM 3601)

Motor size	HB	LA	M	N	P	S	T
56	103	10	65	50	80	M5	2.5
63	108	10	75	60	90	M5	2.5
71	105	10	85	70	105	M6	2.5
80	110	10	100	80	120	M6	3
90 S	127	13	115	95	140	M8	3
90 L	127	13	115	95	140	M8	3
100 L	137	14	130	110	160	M8	3.5

Tolerances

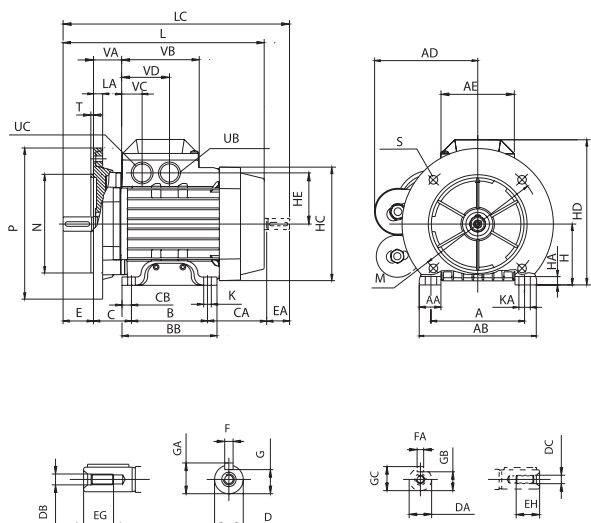
A, B	ISO js 14	F	ISO h9
C	± 0.8	H	+0 -0.5
D, DA	ISO j6	N	ISO j6

Above table gives the main dimensions in mm. For detailed drawings please see our web-site 'www.abb.com/motors&drives' or contact us.

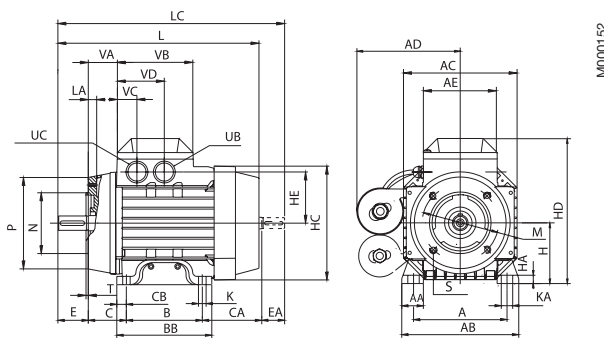
General purpose single phase motors

Dimension drawings

Foot- and flange-mounted motor,
large flange IM B35 (IM 2001)



Foot- and flange-mounted motor,
small flange IM B34 (IM 2101)



IM B35 (IM 2001); IM B34 (IM 2101)

Motor size	A	AA	AB	AC	AD	AE	B	BB	C	CA	CB	D	DA	DB	DC	E	EA	EG	EH	F	FA
56	90	18	108	110	110	72	71	85	36	78	7	9	9	M3	M3	20	20	9	9	3	3
63	100	24	120	120	110	72	80	96	40	71	8	11	11	M4	M4	23	23	10	10	4	4
71	112	24	136	130	125	85	90	110	45	78	10	14	11	M5	M4	30	23	13	10	5	4
80	125	28	154	150	130	97	100	125	50	80	12.5	19	14	M6	M5	40	30	16	13	6	5
90 S	140	27	170	177	140	110	100	125	56	81	12.5	24	14	M8	M5	50	30	19	12.5	8	5
90 L	140	27	170	177	135	110	125	150	56	81	12.5	24	14	M8	M5	50	30	19	12.5	8	5
100 L	160	32	197	197	155	110	140	172	63	91	16	28	19	M10	M6	60	40	22	19	8	6

Motor size	G	GA	GB	GC	H	HA	HC	HD	HE	K	KA	L	LC	UB	UC	VA	VB	VC	VD
56	7.2	10.2	7.2	10.2	56	8	110	159	71	5.8	9	197	225	Pg11	M16x1.5	30	72	26	53
63	8.5	12.5	8.5	12.5	63	10	120	171	76	7	11	205	237	Pg11	M16x1.5	36	72	26	53
71	11	16	8.5	12.5	71	9	130	176	63	7	10	238	266	Pg16	M20x1.5	35	92	22	57
80	15.5	21.5	11	16	80	10	150	190	67	10	15	265	300	Pg16	M20x1.5	37	100	26	61
90 S	20	27	11	16	90	10	177	217	82.5	10	14	282	317	M20x1.5	M25x1.5	43.5	110	33	67
90 L	20	27	11	16	90	10	177	217	82.5	10	14	307	342	M20x1.5	M25x1.5	43.5	110	33	67
100 L	24	31	15.5	21.5	100	12	197	237	82.5	12	15	349	394	M20x1.5	M25x1.5	47	110	33	67

IM 2001, IM B35

Motor size	HB	LA	M	N	P	S	T
56	103	10	100	80	120	7	3
63	108	10	115	95	140	10	3
71	105	10	130	110	160	10	3.5
80	110	12	165	130	200	12	3.5
90 S	127	10	165	130	200	12	3.5
90 L	127	10	165	130	200	12	3.5
100 L	137	11	215	180	250	15	4

IM 2101, IM B34

Motor size	HB	LA	M	N	P	S	T
56	103	10	65	50	80	M5	2.5
63	108	10	75	60	90	M5	2.5
71	105	10	85	70	105	M6	2.5
80	110	10	100	80	120	M6	3
90 S	127	13	115	95	140	M8	3
90 L	127	13	115	95	140	M8	3
100 L	137	14	130	110	160	M8	3.5

Tolerances

A, B	ISO js 14	F	ISO h9
C	± 0.8	H	+0 -0.5
D, DA	ISO j6	N	ISO j6

Above table gives the main dimensions in mm.
For detailed drawings please see our web-site
'www.abb.com/motors&drives' or contact us.

General purpose single phase motors in brief, basic design

Motor size		56	63	71	80	90	100
Stator and feet	Material	Die-cast aluminum alloy. Feet integrated with stator in sizes 63; loose feet in sizes 56 and 71-100.					
	Surface treatment	One-component modified polyester powder paint. Munsell blue 8B 4.5/3.25 / NCS 4822 BO5G, $\geq 30 \mu\text{m}$. / RAL 5014					
Bearing end shields	Material	Die-cast aluminum alloy.					
	Surface treatment	One-component modified polyester powder paint. Munsell blue 8B 4.5/3.25 / NCS 4822 BO5G, $\geq 30 \mu\text{m}$. / RAL 5014					
Bearings	D-end	6201-2Z/C3	6202-2Z/C3	6203-2Z/C3	6304-2Z/C3	6205-2Z/C3	6306-2Z/C3
	N-end	6201-2Z/C3	6201-2Z/C3	6202-2Z/C3	6203-2Z/C3	6204-2Z/C3	6205-2Z/C3
Axially locked bearings	Internal bearing cap	¹⁾	¹⁾	¹⁾	¹⁾	D-end	D-end
		¹⁾ By foot-mounted motors and motors with small flange: A spring washer in N-end presses the rotor against D-end.					
Bearing seals	D-end	V ring.					
	N-end	Labyrinth seal.					
Lubrication		Permanently lubricated bearings. Grease temperature (-30...+150°C).					
Terminal box	Material	Die-cast aluminum alloy.					
	Surface treatment	Similar to stator.					
	Screws	Steel 5 G, galvanised and yellow chromated.					
Connections	Connection openings	4 x M16		4 x M20		2 x (M25 + M20)	
	Terminal box	Screw terminal, 6 terminals.					
	Max Cu range, mm ²	PSC = 2.5. CSR = 1.5.					
Fan	Material	Polypropylene. Reinforced with 20% glass fibre.					
Fan hood	Material	Metal.					
Stator winding	Material	Copper.					
	Impregnation	Polyester coating. Tropicalized.					
	Insulation class	Insulation class F.					
Rotor winding	Material	Die-cast aluminum.					
Balancing method		Half key balancing.					
Key ways		Closed key way.					
Heating elements	On request	8 W			25 W		
Drain holes		Standard.					
Enclosure		IP 55.					
Cooling method		IC 411.					

ABB Motors' total product offer

ABB offers several comprehensive ranges of AC motors and generators. We manufacture synchronous motors for even the most demanding applications, and a full range of low and high voltage induction motors. Our in-depth knowledge of virtually every type of industrial processing ensures we always specify the best solution for your needs.



Low voltage motors and generators

General purpose motor for standard applications

- Aluminum motors
- Steel motors
- Cast iron motors
- Open drip proof motors
- Global motors
- Brake motors
- Single phase motors
- Servomotors

Process performance motors for more demanding applications

- Aluminum motors
- Cast iron motors (IEC and NEMA)
- Motors for high ambient temperatures
- Permanent magnet motors
- High speed motors
- Wind turbine generators
- Smoke venting motors
- Water cooled motors
- Motors for roller table drives

Motors for hazardous areas

- Flameproof motors
- Increased safety motors
- Non-sparking motors
- Dust ignition proof motors

Marine motors

- Aluminum motors
- Steel motors
- Cast iron motors
- Open drip proof motors

High voltage and synchronous motors and generators

- High voltage cast iron motors
- Induction modular motors
- Slip ring motors
- Motors for hazardous areas
- Synchronous motors and generators
- DC motors and generators



- Motors & Drives**
- > **Motors**
 - >> **Low Voltage Motors**
 - >>> **General purpose motors**
 - Aluminum motors
 - Steel motors
 - Cast iron motors
 - Open drip proof motors
 - Global motors
 - Brake motors
 - Single phase motors
 - >>> Process performance motors
 - >>> Motors for hazardous areas
 - >>> Marine motors
 - >>> Other applications
 - NEMA motors
 - Permanent magnet motors
 - Smoke venting motors
 - Roller table motors
 - Water cooled motors
 - Fan application motors
 - Roller table motors
 - > Generators



Low Voltage Motors

Manufacturing sites (*) and some of the larger sales companies.

Australia

ABB Australia Pty Ltd
601 Blackburn Road
Notting Hill VIC 3168
Tel: +61 (0) 8544 0000
Fax: +61 (0) 8544 0001

Austria

ABB AG
Clemens Holzmeisterstrasse 4
AT-1810 Wien
Tel: +43 (0) 1 601 090
Fax: +43 (0) 1 601 09 8305

Belgium

Asea Brown Boveri S.A.-N.V.
Hoge Wei 27
BE-1930 Zaventem
Tel: +32 (0) 2 718 6311
Fax: +32 (0) 2 718 6657

Canada

ABB Inc., BA Electrical Machines
10300 Henri-Bourassa Blvd, West,
Saint-Laurent, Quebec
Canada H4S 1N6
Tel: +1 514 832-6583
Fax: +1 514 332-0609

China*

ABB Shanghai Motors Co., Ltd.
88 Tianning Road
Minhang(Economical and Techno-
logical Development Zone)
200245 Shanghai
Tel: +86 21 5472 3133
Fax: +86 21 5472 5025

Chile

Asea Brown Boveri S.A.
P.O.Box 581-3
Santiago
Tel: +56 (0) 2 5447 100
Fax: +56 (0) 2 5447 405

Denmark

ABB A/S
Automation Products
Emil Neckelmanns Vej 14
DK-5220 Odense SØ
Tel: +45 65 47 70 70
Fax: +45 65 47 77 13

Finland*

ABB Oy
Motors
P.O.Box 633
FI-65101 Vaasa
Tel: +358 (0) 10 22 11
Fax: +358 (0) 10 22 47372

France

ABB Entrelec
ZA La Boisse BP 90145
300 Rue des Prés-Seigneurs
FR-01124 Montluel Cedex
Tel: +33 4 37 40 40 00
Fax: +33 4 37 40 40 72

Germany

ABB Automation Products GmbH
Motors & Drives
Wallstaedter Strasse 59
DE-68526 Ladenburg
Tel: +49 (0) 6203 717 717
Fax: +49 (0) 6203 717 600

Hong Kong

ABB (Hong Kong) Ltd.
Tai Po Industrial Estate,
3 Dai Hei Street,
Tai Po, New Territories,
Hong Kong
Tel: +852 2929 3838
Fax: +852 2929 3505

India*

ABB Ltd.
32, Industrial Area, N.I.T
Faridabad 121 001
Tel: +91 (0) 129 502 3001
Fax: +91 (0) 129 502 3006

Indonesia

PT. ABB Sakti Industri
JL. Gajah Tunggal Km.1
Jatiuwung, Tangerang 15136
Banten, Indonesia
Tel: +62 21 590 9955
Fax: +62 21 590 0115 - 6

Ireland

Asea Brown Boveri Ltd
Components Division
Belgard Road
Tallaght, Dublin 24
Tel: +353 (0) 1 405 7300
Fax: +353 (0) 1 405 7327

Italy*

ABB SACE SpA
LV Motors
Via dell' Industria 18
IT-20010 Vittuone, Milano
Tel: +39 02 90341
Fax: +39 02 9034 7289

Japan

ABB K.K.
26-1 Cerulean Tower
Sakuragaoka-cho, Shibuya-ku
Tokyo 150-8512
Tel: +81 (0) 3 578 46251
Fax: +81 (0) 3 578 46260

Korea

ABB Korea Ltd.
7-9fl, Oksan Bldg., 157-33
Sungshung-dong, Kangnam-ku
Seoul
Tel: +82 2 528 2329
Fax: +82 2 528 2338

Malaysia

ABB Malaysia Sdn. Bhd.
Lot 608, Jalan SS 13/1K
47500 Subang Jaya, Selangor
Tel: +60 3 5628 4888
Fax: +60 3 5631 2926

Mexico

ABB México, S.A. de C.V.
Apartado Postal 111
CP 54000 Tlalnepanitla
Edo. de México, México
Tel: +52 5 328 1400
Fax: +52 5 390 3720

The Netherlands

ABB B.V.
Dept. LV motors (APP2R)
P.O.Box 301
NL-3000 AH Rotterdam
Tel: +31 (0) 10 4078 879
Fax: +31 (0) 10 4078 345

Norway

ABB AS
P.O.Box 154 Vollebakk
NO-0520 Oslo
Tel: +47 22 872 000
Fax: +47 22 872 541

Russia

ABB Industrial & Building Systems
Ltd.
Business Centre "Krugozor"
Obrucheva 30/1, Building 2
Moscow 117861
Tel: +7 495 960 2200, 956 93 93
Fax: +7 495 960 2209, 230 63 46

Singapore

ABB Industry Pte Ltd
2 Ayer Rajah Crescent
Singapore 139935
Tel: +65 6776 5711
Fax: +65 6778 0222

Spain*

Asea Brown Boveri S.A.
Automation Products - Fábrica
Motores
P.O.Box 81
ES-08200 Sabadell
Tel: +34 93 728 8500
Fax: +34 93 728 8741

Sweden*

ABB Automation Technologies AB
LV Motors
SE-721 70 Västerås
Tel: +46 (0) 21 329 000
Fax: +46 (0) 21 329 140

Switzerland

ABB Schweiz AG
Normelec/CMC Components
Motors&Drives
Badenerstrasse 790
Postfach
CH-8048 Zürich
Tel: +41 (0) 58 586 0000
Fax: +41 (0) 58 586 0603

Taiwan

ABB Ltd.
6F, No. 126, Nanking East Road,
Section 41
Taipei, 105 Taiwan, R.O.C.
Tel: +886 (0) 2 2577 6090
Fax: +886 (0) 2 2577 9467

Thailand

ABB Limited (Thailand)
161/1 SG Tower,
Soi Mahadlekluang 3,
Rajdamri, Bangkok 10330
Tel: +66 2 665 1000
Fax: +66 2 665 1042

The United Kingdom

ABB Ltd
Drives, Motors and Machines
Daresbury Park
Daresbury, Warrington
Cheshire, WA4 4BT
Tel: +44 (0) 1925 741 111
Fax: +44 (0) 1925 741 212

USA

ABB Inc.
Low Voltage Motors
16250 W. Glendale Drive
New Berlin, WI 53151
Tel: +1 262 785 3200
Fax: +1 262 780 8888

Venezuela

Asea Brown Boveri S.A.
P.O.Box 6649
Carmelitas,
Caracas 1010A
Tel: +58 (0) 2 238 2422
Fax: +58 (0) 2 239 6383



<http://www.abb.com/motors&drives>
<http://online.abb.com/motors&drives>