

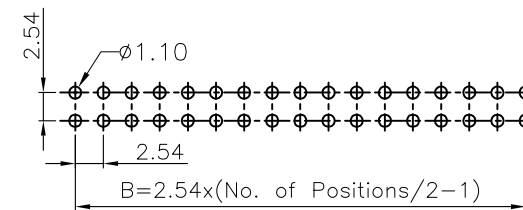
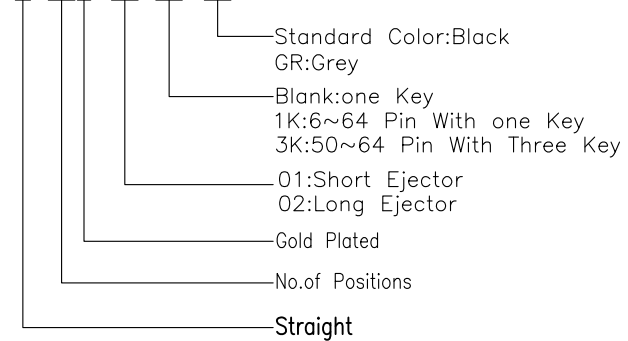
**Specifications**

Current Rating: 3.0A AC/DC  
 Voltage Rating: 250V AC/DC  
 Contact Resistance: 20m Ohm. Max  
 Insulation Resistance: 1000M Ohm. Min  
 Withstanding Voltage: 600V AC For One Minute  
 Operating Temperature Range : -40°C To +105°C  
 Material:

Plastic: PBT (UL94V-0)  
 Standard Color: Black  
 Contact: Copper Alloy  
 Plating: Gold Plated

**How To Order**

2216S-XXG-XX-XX-XX-H



Recommended P.C.B Layout

RoHS Compliant

**Notes:**

No. of Positions 50~64 With Three Key ; All Other Positions With one key.

No. of Positions	Dim A	Dim B	No. of Positions	Dim A	Dim B	Note
10	32.20	10.16	34	62.68	40.64	
12	34.74	12.70	40	70.30	48.26	
14	37.28	15.24	50	83.00	60.96	1K&3K
16	39.82	17.78	60	95.70	73.66	1K&3K
20	44.90	22.86	64	100.78	78.74	1K&3K
24	49.98	27.94				
26	52.52	30.48				
30	57.60	35.56				

	C	D
01: Short Ejector	3.80	7.80
02: Long Ejector	7.70	11.00

F				DRAWN: Jamie Wang	GENERAL TOLERANCE: .X=±0.20 .XX=±0.15	<b>繼德工業股份有限公司</b> <b>Neltron Industrial Co., Ltd.</b>	DESCRIPTION: 2.54mm Shrouded Header Straight Type	SIZE <b>A4</b>
E								
D				CHECKED: Jerry Chen	UNIT: MM	PART NO: 2216S-XXG-XX-XX-XX-H		
C					SCALE: 1:1			
B				APPROVAL: Mike Wu	SHEET: 1 / 1			
A	14-Dec-2017		Jamie		PROJECTION:			
REV	DATE	FILE	BY					