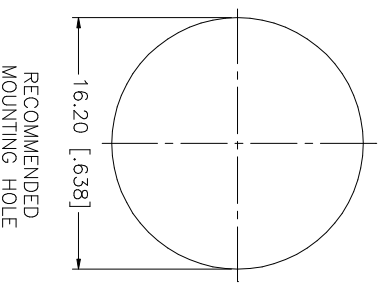
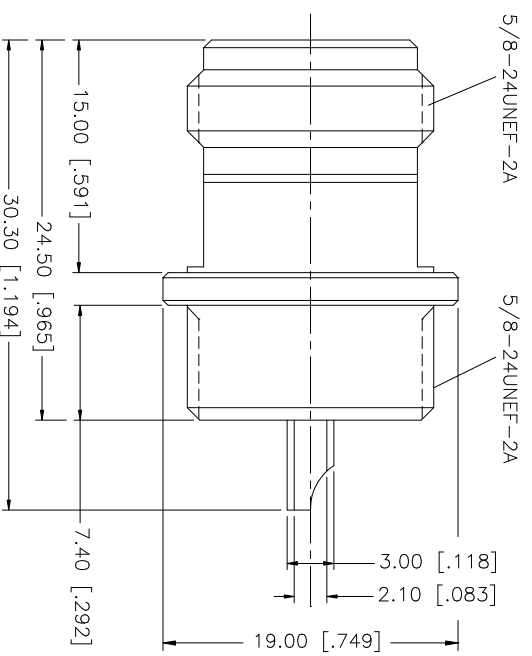
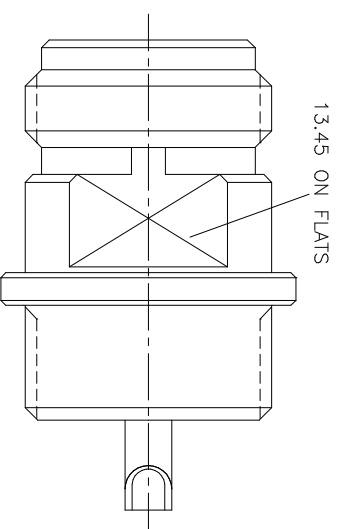


| REV. | DATE | DESCRIPTION |
|------|----------|-----------------|
| NC | 03/20/03 | INITIAL RELEASE |



RECOMMENDED
MOUNTING HOLE

| UNLESS OTHERWISE SPECIFIED DIMENSIONS ARE IN MILLIMETERS. DIMENSIONS IN [] ARE IN INCHES AND FOR CUSTOMER REFERENCE ONLY. TOLERANCES FOR MILLIMETERS ARE: | UNLESS OTHERWISE SPECIFIED DIMENSIONS ARE IN MILLIMETERS. DIMENSIONS IN [] ARE IN INCHES AND FOR CUSTOMER REFERENCE ONLY. TOLERANCES FOR MILLIMETERS ARE: | UNLESS OTHERWISE SPECIFIED DIMENSIONS ARE IN MILLIMETERS. DIMENSIONS IN [] ARE IN INCHES AND FOR CUSTOMER REFERENCE ONLY. TOLERANCES FOR MILLIMETERS ARE: | UNLESS OTHERWISE SPECIFIED DIMENSIONS ARE IN MILLIMETERS. DIMENSIONS IN [] ARE IN INCHES AND FOR CUSTOMER REFERENCE ONLY. TOLERANCES FOR MILLIMETERS ARE: | UNLESS OTHERWISE SPECIFIED DIMENSIONS ARE IN MILLIMETERS. DIMENSIONS IN [] ARE IN INCHES AND FOR CUSTOMER REFERENCE ONLY. TOLERANCES FOR MILLIMETERS ARE: | UNLESS OTHERWISE SPECIFIED DIMENSIONS ARE IN MILLIMETERS. DIMENSIONS IN [] ARE IN INCHES AND FOR CUSTOMER REFERENCE ONLY. TOLERANCES FOR MILLIMETERS ARE: | UNLESS OTHERWISE SPECIFIED DIMENSIONS ARE IN MILLIMETERS. DIMENSIONS IN [] ARE IN INCHES AND FOR CUSTOMER REFERENCE ONLY. TOLERANCES FOR MILLIMETERS ARE: | UNLESS OTHERWISE SPECIFIED DIMENSIONS ARE IN MILLIMETERS. DIMENSIONS IN [] ARE IN INCHES AND FOR CUSTOMER REFERENCE ONLY. TOLERANCES FOR MILLIMETERS ARE: | UNLESS OTHERWISE SPECIFIED DIMENSIONS ARE IN MILLIMETERS. DIMENSIONS IN [] ARE IN INCHES AND FOR CUSTOMER REFERENCE ONLY. TOLERANCES FOR MILLIMETERS ARE: | UNLESS OTHERWISE SPECIFIED DIMENSIONS ARE IN MILLIMETERS. DIMENSIONS IN [] ARE IN INCHES AND FOR CUSTOMER REFERENCE ONLY. TOLERANCES FOR MILLIMETERS ARE: | UNLESS OTHERWISE SPECIFIED DIMENSIONS ARE IN MILLIMETERS. DIMENSIONS IN [] ARE IN INCHES AND FOR CUSTOMER REFERENCE ONLY. TOLERANCES FOR MILLIMETERS ARE: | UNLESS OTHERWISE SPECIFIED DIMENSIONS ARE IN MILLIMETERS. DIMENSIONS IN [] ARE IN INCHES AND FOR CUSTOMER REFERENCE ONLY. TOLERANCES FOR MILLIMETERS ARE: | | |
|--|--|--|--|--|--|--|--|--|--|--|--|------|-------|
| 8 | | | | | | | | | | | | | |
| 7 | | | | | | | | | | | | | |
| 6 | | | | | | | | | | | | | |
| 5 | | | | | | | | | | | | | |
| 4 | | | | | | | | | | | | | |
| 3 | CONTACT PIN | PHOS. BRONZE | GOLD | 1 | | | | | | | | | |
| 2 | INSULATOR | TEFLON | NATURAL | 1 | | | | | | | | | |
| 1 | HOUSING/BODY | BRASS | NICKEL | 1 | | | | | | | | | |
| | DESCRIPTION | MATERIAL | FINISH | QTY | DO NOT SCALE DRAWING | CAD FILE | APPROVALS | DATE | PART DESCRIPTION | DWG. NO. | REV. | SIZE | SCALE |
| | | | | | | C:/172/172255-11N.DWG | G.R.S. | 03/20/03 | N BULKHEAD RECEPTACLE JACK (W/O "D" FLATS) | 172255-11N | NC | A | NA |

Amphenol Connex

N BULKHEAD RECEPTACLE JACK
(W/O "D" FLATS)

172255-11N