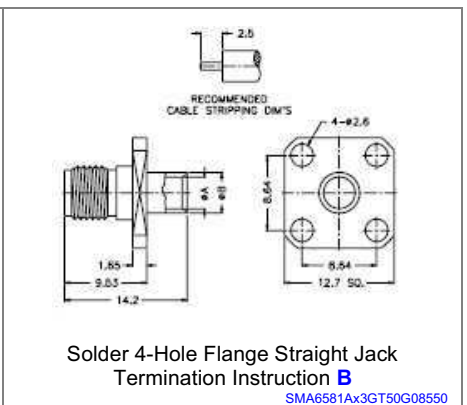
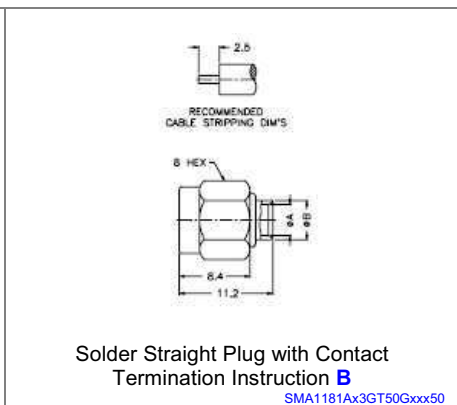
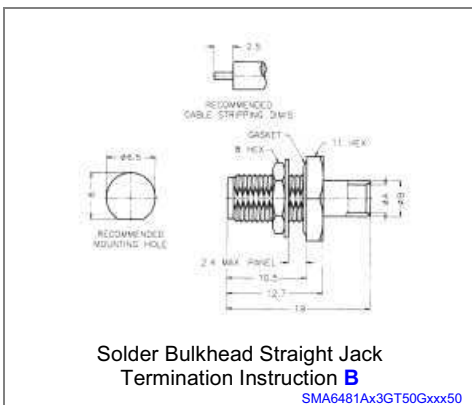
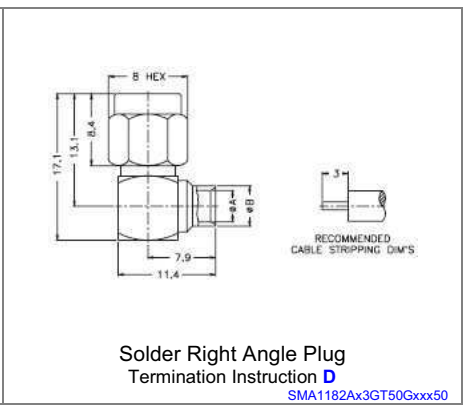
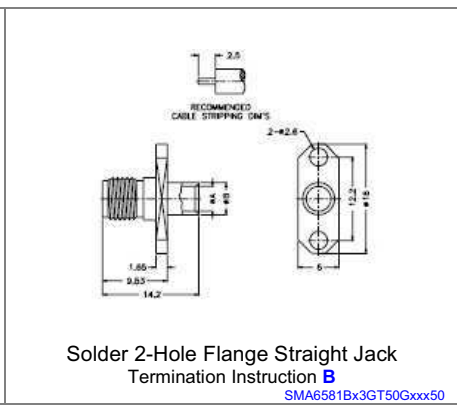
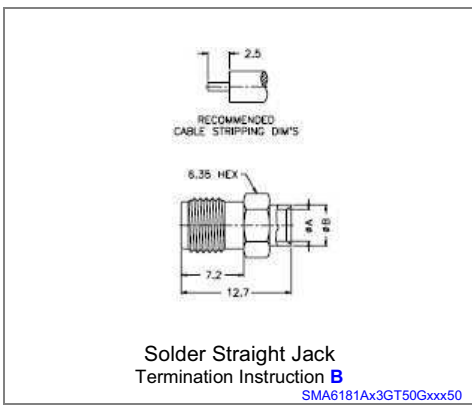


SMA 901 Series 50 Ohm

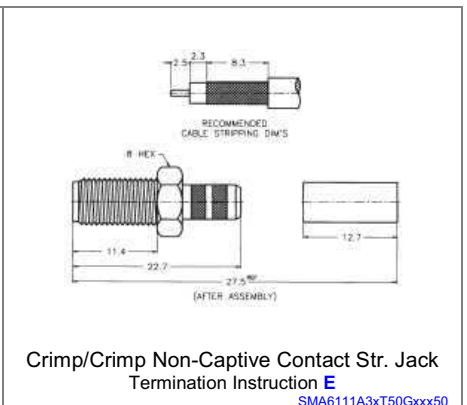
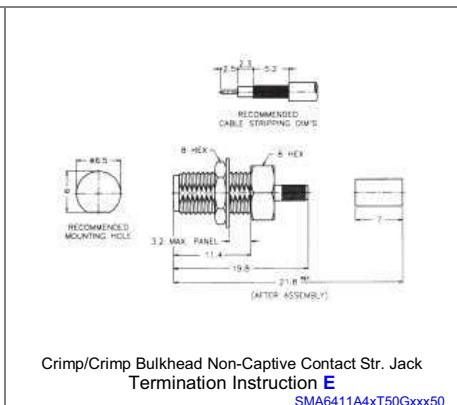
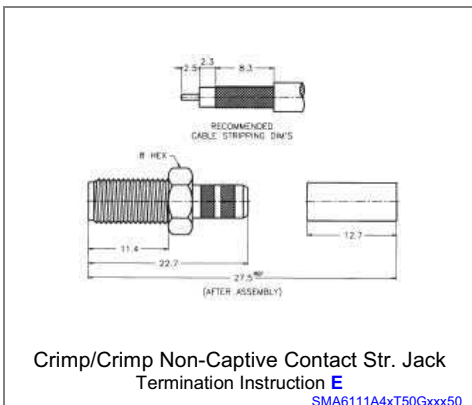
Materials	Electrical	Environmental
Body/Metal parts – Brass* Finishes – Nickel or Gold <u>Contact Material/Finish</u> Centre MALE – Brass/Gold Centre FEMALE – Beryllium Copper/Gold Insulator – Teflon Crimp Ferrules – Copper alloy Gasket – Silicone Rubber	Impedance – 50 ohm Frequency range Semi Rigid cable – 0-18 GHz Flexible cable – 0-12.4 GHz Voltage – up to 335 VRMS Dielectric withstand – up to 1000 VRMS VSWR Straight – 1.3 R/A – 1.5 Resistance Centre – 6 Milliohms max Outer – 2 Milliohms max Insulator – 5000 Megaohms min	Temp. range – -65°C thru 165°C Shock – Consult Representative Vibration – Consult Representative Corrosion – Consult Representative Moisture – Consult Representative Altitude – Consult Representative
Durability		Related Information
250 cycles		Cable – Section D Hand Tools – Section F Termination Instr. – Section G Terminology – Section J



Part Number:	Description:	Part Number:	Description:	Part Number:	Description:
9019945RFX	.085 S/R A: 2.2 B: 3.0 - Gold	9019867RFX	.085 S/R A: 2.2 B: 3.0 - Gold	9019947RFX	.085 S/R A: 2.2 B: 3.0 - Gold
9019946RFX	.141 S/R A: 3.6 B: 4.6 - Gold	9019868RFX	.141 S/R A: 3.6 B: 4.6 - Gold	9019948RFX	.141 S/R A: 3.6 B: 4.6 - Gold



Part Number:	Description:	Part Number:	Description:	Part Number:	Description:
9019943RFX	.085 S/R A: 2.2 B: 3.0 - Gold	9019949RFX	.085 S/R A: 2.2 B: 3.0 - Gold	9019951RFX	.085 S/R A: 2.2 B: 3.0 - Gold
9019944RFX	.141 S/R A: 3.6 B: 4.6 - Gold	9019950RFX	.141 S/R A: 3.6 B: 4.6 - Gold	9019952RFX	.141 S/R A: 3.6 B: 4.6 - Gold



Part Number:	Description:	Part Number:	Description:	Part Number:	Description:
9019954RFX	RG/U 174/188/316 - Nickel	9019879RFX	RG/U 174/188/316 - Nickel	9019953RFX	RG/U 58 - Nickel
90199541XRFX	RG/U 174/188/316 - Gold	90198791XRFX	RG/U 174/188/316 - Gold	90199531XRFX	RG/U 58 - Gold

Amphenol

Telecom Solutions

SMA 901 Series 50 Ohm – Continued

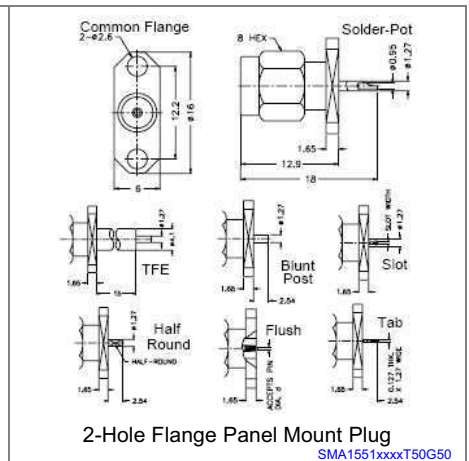
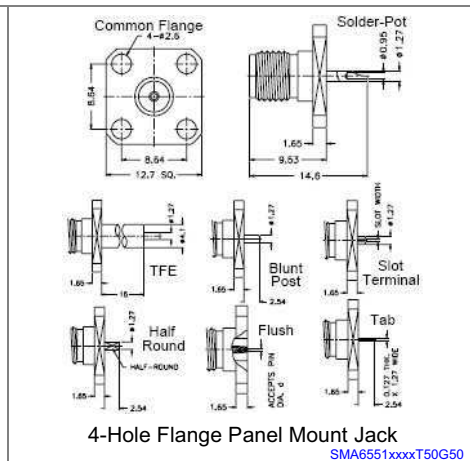
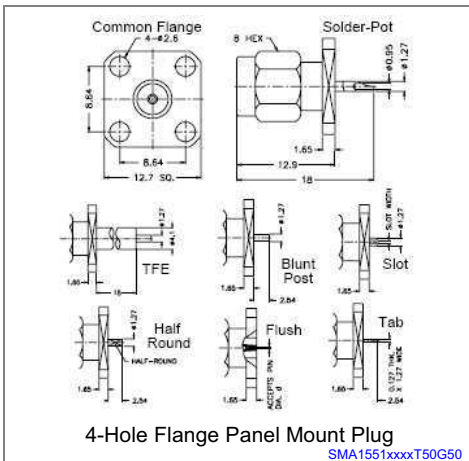
<p style="text-align: center;">Crimp/Crimp Bulkhead Non-Captive Contact Str. Jack Termination Instruction E SMA6411A1xT50Gxxx50</p>	<p style="text-align: center;">Crimp/Crimp Captive Contact Str. Plug Termination Instruction E SMA1111A2xT50Gxxx50</p>	<p style="text-align: center;">Crimp/Crimp Captive Contact Str. Plug Termination Instruction E SMA1111A1xT50Gxxx50</p>																		
<table border="1" style="width: 100%; border-collapse: collapse;"> <thead> <tr> <th style="width: 20%;">Part Number:</th> <th style="width: 80%;">Description:</th> </tr> </thead> <tbody> <tr> <td>9019955RFX</td> <td>RG/U 58 - Nickel</td> </tr> <tr> <td>90199551XRFX</td> <td>RG/U 58 - Gold</td> </tr> </tbody> </table>	Part Number:	Description:	9019955RFX	RG/U 58 - Nickel	90199551XRFX	RG/U 58 - Gold	<table border="1" style="width: 100%; border-collapse: collapse;"> <thead> <tr> <th style="width: 20%;">Part Number:</th> <th style="width: 80%;">Description:</th> </tr> </thead> <tbody> <tr> <td>9019877RFX</td> <td>RG/U 174/188/316 - Nickel</td> </tr> <tr> <td>90198771XRFX</td> <td>RG/U 174/188/316 - Gold</td> </tr> </tbody> </table>	Part Number:	Description:	9019877RFX	RG/U 174/188/316 - Nickel	90198771XRFX	RG/U 174/188/316 - Gold	<table border="1" style="width: 100%; border-collapse: collapse;"> <thead> <tr> <th style="width: 20%;">Part Number:</th> <th style="width: 80%;">Description:</th> </tr> </thead> <tbody> <tr> <td>9019876RFX</td> <td>RG/U 58 - Nickel</td> </tr> <tr> <td>90198761XRFX</td> <td>RG/U 58 - Gold</td> </tr> </tbody> </table>	Part Number:	Description:	9019876RFX	RG/U 58 - Nickel	90198761XRFX	RG/U 58 - Gold
Part Number:	Description:																			
9019955RFX	RG/U 58 - Nickel																			
90199551XRFX	RG/U 58 - Gold																			
Part Number:	Description:																			
9019877RFX	RG/U 174/188/316 - Nickel																			
90198771XRFX	RG/U 174/188/316 - Gold																			
Part Number:	Description:																			
9019876RFX	RG/U 58 - Nickel																			
90198761XRFX	RG/U 58 - Gold																			
<p style="text-align: center;">Crimp/Crimp Right Angle Plug Termination Instruction E SMA1112A5xT50Gxxx50</p>	<p style="text-align: center;">Crimp/Crimp Right Angle Plug Termination Instruction E SMA1112A6xT50Gxxx50</p>	<p style="text-align: center;">Straight Plug for PCB SMA1251A1xT50G50</p>																		
<table border="1" style="width: 100%; border-collapse: collapse;"> <thead> <tr> <th style="width: 20%;">Part Number:</th> <th style="width: 80%;">Description:</th> </tr> </thead> <tbody> <tr> <td>9019881RFX</td> <td>RG/U 174/188/316 - Nickel</td> </tr> <tr> <td>90198811XRFX</td> <td>RG/U 174/188/316 - Gold</td> </tr> </tbody> </table>	Part Number:	Description:	9019881RFX	RG/U 174/188/316 - Nickel	90198811XRFX	RG/U 174/188/316 - Gold	<table border="1" style="width: 100%; border-collapse: collapse;"> <thead> <tr> <th style="width: 20%;">Part Number:</th> <th style="width: 80%;">Description:</th> </tr> </thead> <tbody> <tr> <td>9019880RFX</td> <td>RG/U 58 - Nickel</td> </tr> <tr> <td>90198801XRFX</td> <td>RG/U 58 - Gold</td> </tr> </tbody> </table>	Part Number:	Description:	9019880RFX	RG/U 58 - Nickel	90198801XRFX	RG/U 58 - Gold	<table border="1" style="width: 100%; border-collapse: collapse;"> <thead> <tr> <th style="width: 20%;">Part Number:</th> <th style="width: 80%;">Description:</th> </tr> </thead> <tbody> <tr> <td>9019895RFX</td> <td>Gold</td> </tr> <tr> <td>9019895XRFX</td> <td>Nickel</td> </tr> </tbody> </table>	Part Number:	Description:	9019895RFX	Gold	9019895XRFX	Nickel
Part Number:	Description:																			
9019881RFX	RG/U 174/188/316 - Nickel																			
90198811XRFX	RG/U 174/188/316 - Gold																			
Part Number:	Description:																			
9019880RFX	RG/U 58 - Nickel																			
90198801XRFX	RG/U 58 - Gold																			
Part Number:	Description:																			
9019895RFX	Gold																			
9019895XRFX	Nickel																			
<p style="text-align: center;">Right Angle Plug for PCB SMA1252A2xT50G50</p>	<p style="text-align: center;">Straight Jack for PCB SMA6251A1xT50G50</p>	<p style="text-align: center;">Right Angle Jack for PCB SMA6252A2xT50G50</p>																		
<table border="1" style="width: 100%; border-collapse: collapse;"> <thead> <tr> <th style="width: 20%;">Part Number:</th> <th style="width: 80%;">Description:</th> </tr> </thead> <tbody> <tr> <td>9019894RFX</td> <td>Gold</td> </tr> <tr> <td>9019894XRFX</td> <td>Nickel</td> </tr> </tbody> </table>	Part Number:	Description:	9019894RFX	Gold	9019894XRFX	Nickel	<table border="1" style="width: 100%; border-collapse: collapse;"> <thead> <tr> <th style="width: 20%;">Part Number:</th> <th style="width: 80%;">Description:</th> </tr> </thead> <tbody> <tr> <td>9011448RFX</td> <td>Gold</td> </tr> <tr> <td>9011448XRFX</td> <td>Nickel</td> </tr> </tbody> </table>	Part Number:	Description:	9011448RFX	Gold	9011448XRFX	Nickel	<table border="1" style="width: 100%; border-collapse: collapse;"> <thead> <tr> <th style="width: 20%;">Part Number:</th> <th style="width: 80%;">Description:</th> </tr> </thead> <tbody> <tr> <td>9011436RFX</td> <td>Gold</td> </tr> <tr> <td>9011436XRFX</td> <td>Nickel</td> </tr> </tbody> </table>	Part Number:	Description:	9011436RFX	Gold	9011436XRFX	Nickel
Part Number:	Description:																			
9019894RFX	Gold																			
9019894XRFX	Nickel																			
Part Number:	Description:																			
9011448RFX	Gold																			
9011448XRFX	Nickel																			
Part Number:	Description:																			
9011436RFX	Gold																			
9011436XRFX	Nickel																			
<p style="text-align: center;">Solder-Pot Bulkhead Jack – Front Mount SMA6351B1xT50G50</p>	<p style="text-align: center;">Solder-Pot Bulkhead Jack – Rear Mount SMA6451B1xT50G50</p>	<p style="text-align: center;">Solder-Pot Bulkhead Jack – Rear Mount SMA6451A1xT50G50</p>																		
<table border="1" style="width: 100%; border-collapse: collapse;"> <thead> <tr> <th style="width: 20%;">Part Number:</th> <th style="width: 80%;">Description:</th> </tr> </thead> <tbody> <tr> <td>9019889RFX</td> <td>Gold</td> </tr> <tr> <td>9019889XRFX</td> <td>Nickel</td> </tr> </tbody> </table>	Part Number:	Description:	9019889RFX	Gold	9019889XRFX	Nickel	<table border="1" style="width: 100%; border-collapse: collapse;"> <thead> <tr> <th style="width: 20%;">Part Number:</th> <th style="width: 80%;">Description:</th> </tr> </thead> <tbody> <tr> <td>9019890RFX</td> <td>Gold</td> </tr> <tr> <td>9019890XRFX</td> <td>Nickel</td> </tr> </tbody> </table>	Part Number:	Description:	9019890RFX	Gold	9019890XRFX	Nickel	<table border="1" style="width: 100%; border-collapse: collapse;"> <thead> <tr> <th style="width: 20%;">Part Number:</th> <th style="width: 80%;">Description:</th> </tr> </thead> <tbody> <tr> <td>9019959RFX</td> <td>Gold</td> </tr> <tr> <td>9019959XRFX</td> <td>Nickel</td> </tr> </tbody> </table>	Part Number:	Description:	9019959RFX	Gold	9019959XRFX	Nickel
Part Number:	Description:																			
9019889RFX	Gold																			
9019889XRFX	Nickel																			
Part Number:	Description:																			
9019890RFX	Gold																			
9019890XRFX	Nickel																			
Part Number:	Description:																			
9019959RFX	Gold																			
9019959XRFX	Nickel																			

ARFA/RF

Amphenol

Telecom Solutions

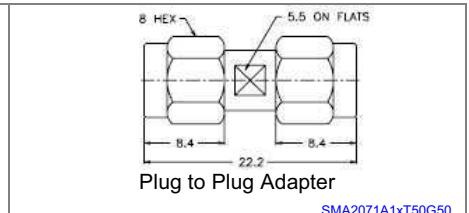
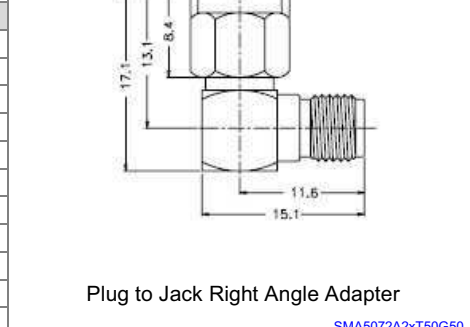
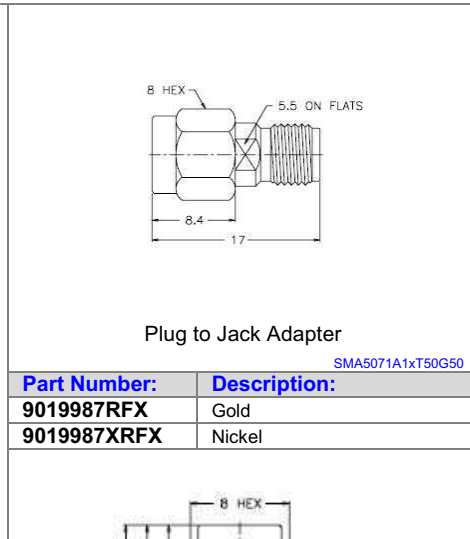
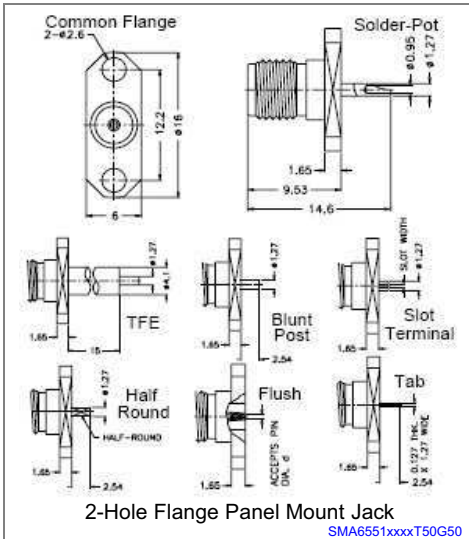
SMA 901 Series 50 Ohm – Continued



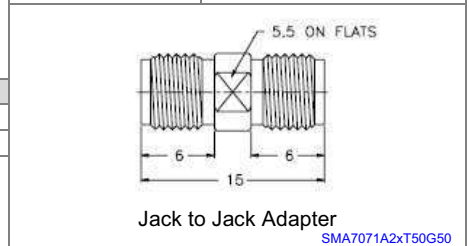
Part Number:	Description:
9019960RFX	Solder-Pot - Gold
9019960XRFX	Solder-Pot - Nickel
9019962RFX	Exposed TFE Type - Gold
9019962XRFX	Exposed TFE Type - Nickel
9019964RFX	Blunt Post - Gold
9019964XRFX	Blunt Post - Nickel
9019968RFX	Slot Terminal - Gold
9019968XRFX	Slot Terminal - Nickel
9019972RFX	Half Round Terminal - Gold
9019972XRFX	Half Round Terminal - Nickel
9019976RFX	Flush with Flange - Gold
9019976XRFX	Flush with Flange - Nickel
9019980RFX	Tab Terminal - Gold
9019980XRFX	Tab Terminal - Nickel

Part Number:	Description:
9019892RFX	Solder-Pot - Gold
9019892XRFX	Solder-Pot - Nickel
9019887RFX	Exposed TFE Type - Gold
9019887XRFX	Exposed TFE Type - Nickel
9019966RFX	Blunt Post - Gold
9019966XRFX	Blunt Post - Nickel
9019970RFX	Slot Terminal - Gold
9019970XRFX	Slot Terminal - Nickel
9019974RFX	Half Round Terminal - Gold
9019974XRFX	Half Round Terminal - Nickel
9019978RFX	Flush with Flange - Gold
9019978XRFX	Flush with Flange - Nickel
9019982RFX	Tab Terminal - Gold
9019982XRFX	Tab Terminal - Nickel

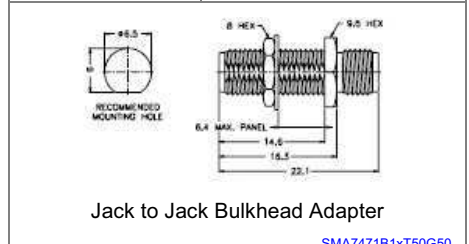
Part Number:	Description:
9019961RFX	Solder-Pot - Gold
9019961XRFX	Solder-Pot - Nickel
9019963RFX	Exposed TFE Type - Gold
9019963XRFX	Exposed TFE Type - Nickel
9019965RFX	Blunt Post - Gold
9019965XRFX	Blunt Post - Nickel
9019969RFX	Slot Terminal - Gold
9019969XRFX	Slot Terminal - Nickel
9019973RFX	Half Round Terminal - Gold
9019973XRFX	Half Round Terminal - Nickel
9019977RFX	Flush with Flange - Gold
9019977XRFX	Flush with Flange - Nickel
9019981RFX	Tab Terminal - Gold
9019981XRFX	Tab Terminal - Nickel



Part Number:	Description:
9019984RFX	Gold
9019984XRFX	Nickel



Part Number:	Description:
9019985RFX	Gold
9019985XRFX	Nickel



Part Number:	Description:
9019988RFX	Gold
9019988XRFX	Nickel
9019986RFX	Gold
9019986XRFX	Nickel