

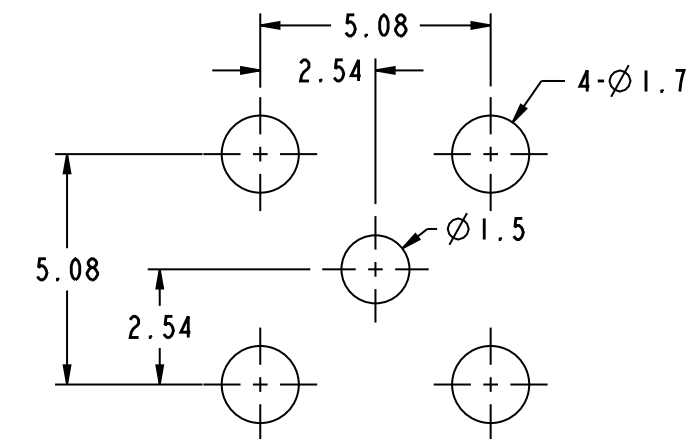
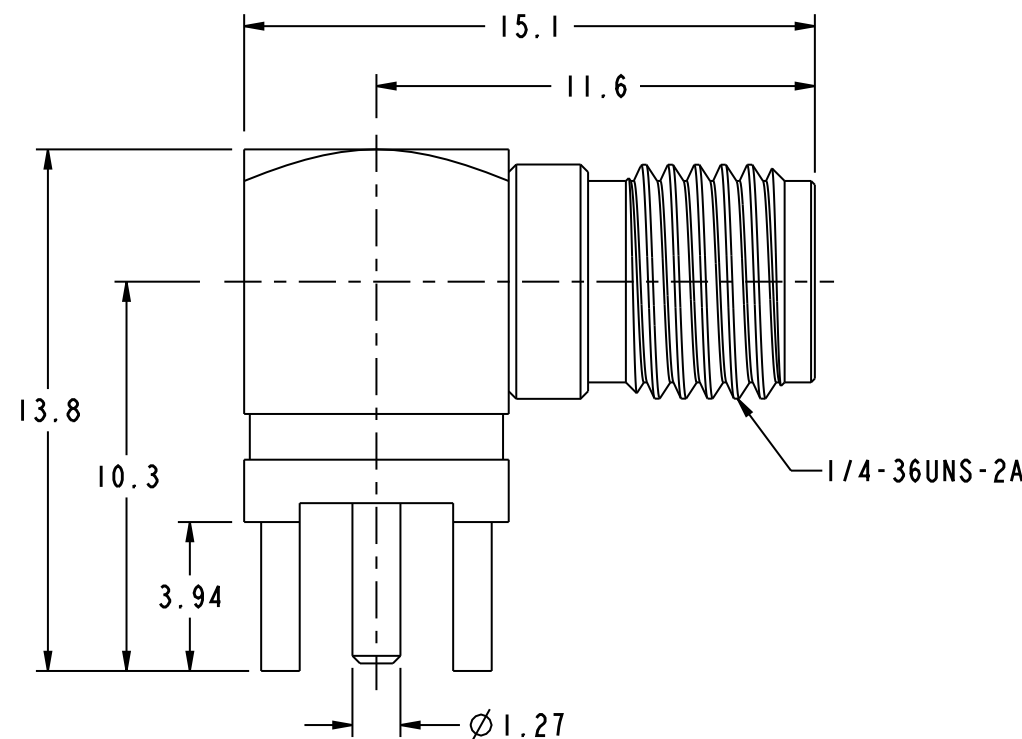
NOTES:

1. MATERIALS AND FINISHES: (PLATING THICKNESS IN MICRO-INCHES)
 BODY - BRASS, GOLD PLATING
 CONTACT PIN - BERYLLIUM COPPER, GOLD PLATING
 INSULATOR - PTFE, NATURAL
2. ELECTRICAL:
 A. IMPEDANCE: 50 OHM
 B. DIELECTRIC WITHSTANDING VOLTAGE: 1000 VRMS, MIN.
3. MECHANICAL:
 A. DURABILITY: 500 CYCLES MIN.
 B. TEMPERATURE RANGE: -65° C to +165° C

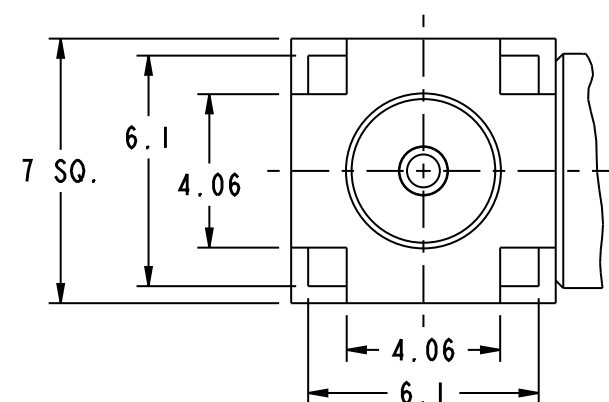
THIRD ANGLE PROJ.

REVISIONS

REV	DESCRIPTION	DATE	ECO	APPR
A	RELEASE TO MFG.	08-18-00'		KERRY
B	SEE SHEET 1.	12-09-06'		TT
C	REDRAWN TO UPDATE FORMAT\RD-DM10052801F\06-01-10'	1-Jun-10'	48086	SCOTT



PCB MOUNTING HOLES



CUSTOMER OUTLINE DRAWING

ALL OTHER SHEETS ARE FOR INTERNAL USE ONLY

UNLESS OTHERWISE SPECIFIED, DIMENSIONS ARE IN METRIC AND TOLERANCES ARE:
 <0.5mm ±0.05mm 0.5 - 6mm ±0.1mm 6 - 30mm ±0.2mm 30 - 120mm ±0.3mm ANGLES ±1°

NOTICE - These drawings, specifications, or other data (1) are, and remain the property of Amphenol corp. (2) must be returned upon request; and (3) are confidential and not to be disclosed to any person other than those to whom they are given by Amphenol Corp. The furnishing of these drawings, specifications, or other data by Amphenol Corp., or to any other person to anyone for any purpose is not to be regarded by implication or otherwise in any manner licensing, granting rights to permitting such holder or any other person to manufacture, use or sell any product, process or design, patented or otherwise, that may in any way be related to or disclosed by said drawings, specifications, or other data.

MATERIAL	DRAWN C. WANG	DATE 01-Jun-10	TITLE SMA R/A P.C. MOUNT JACK	Amphenol RF Danbury CT USA, Tainan, Taiwan, Shenzhen, China www.amphenolrf.com	
REFERENCE AND CONFIGURATION LEVEL:	ENGINEER T. ZHOU	DATE 12-Sep-06		SCALE: 5.0:1.0	SHEET 2 OF 2
FINISH	APPROVED S. HSIEH	DATE 01-Jun-10	DWG SIZE B	REV C	ITEM NO. 116252AAG01GA5F
	CAD FILE I:\SMA\SMA6252A2-3GT50G-50				PART NO. 901-143-6RFX