

DN74LS27 *DN74LS27*

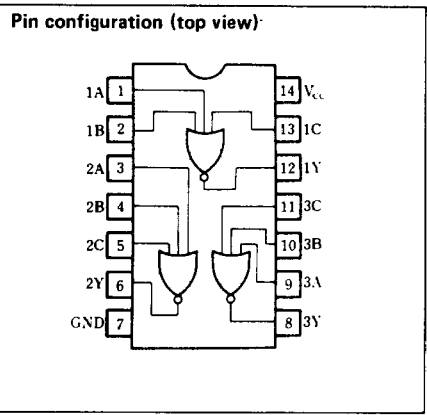
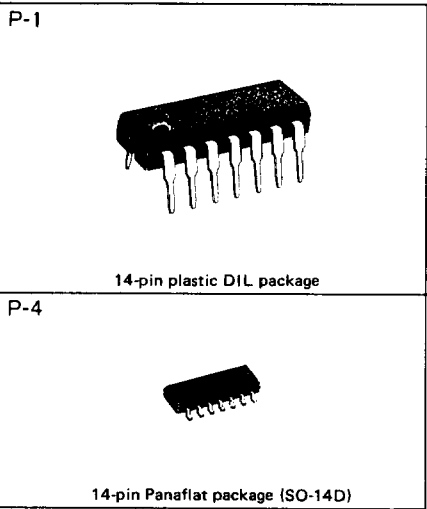
Triple 3-input Positive NOR Gates

■ **Description**

DN74LS27 contains three 3-input positive isolation NOR gate circuits.

■ **Features**

- Low power consumption ($P_d = 13.5\text{mW}$ typical)
- High speed ($t_{pd} = 10\text{ns}$ typical)
- Low output impedance
- Wide operating temperature range ($T_a = -20$ to $+75^\circ\text{C}$)



4R

■ **Recommended operating conditions**

Parameter	Sym	Min	Typ	Max	Unit
Supply voltage	V_{cc}	4.75	5.00	5.25	V
Output current	I_{OH}			-400	μA
	I_{OL}			8	mA
Operating temperature range	T_{opr}	-20	25	75	$^\circ\text{C}$

12

■ DC characteristics (Ta = -20 ~ +75°C)

Parameter	Sym	Test conditions	Min	Typ*	Max	Unit
Input voltage	V _{IH}		2.0			V
	V _{IL}				0.8	V
Output voltage	V _{OH}	V _{CC} = 4.75V, V _{IL} = 0.8V I _{OH} = -400 μA	2.7	3.4		V
	V _{OL1}	V _{CC} = 4.75V I _{OL} = 4 mA		0.25	0.4	V
	V _{OL2}	V _{IH} = 2V I _{OL} = 8 mA		0.35	0.5	V
Input current	I _{IH}	V _{CC} = 5.25V V _I = 2.7V			20	μA
	I _{IL}	V _{CC} = 5.25V V _I = 0.4V			-0.4	mA
	I _I	V _{CC} = 5.25V V _I = 7V			0.1	mA
Output short circuit current**	I _{OS}	V _{CC} = 5.25V, V _O = 0V	-15		-100	mA
Input clamp voltage	V _{IK}	V _{CC} = 4.75V I _I = -18 mA			-1.5	V
Supply current	I _{CCH}	V _{CC} = 5.25V,		2.0	4.0	mA
	I _{CCL}	V _{CC} = 5.25V,		3.4	6.8	mA

* When constant at V_{CC} = 5V, Ta = 25°C.

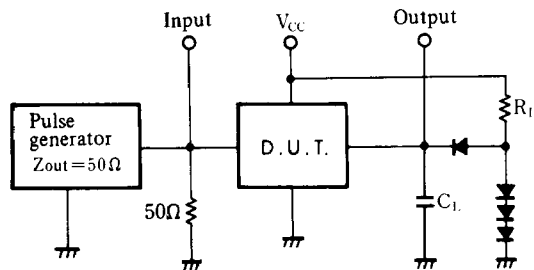
** Only one output at a time short circuited to GND. Also, short circuit time to GND within 1 second.

■ Switching characteristics (V_{CC} = 5V, Ta = 25°C)

Parameter	Sym	Test conditions	Min	Typ	Max	Unit
Propagation delay time	t _{PLH}	C _L = 15 pF, R _L = 2 kΩ		10	15	ns
	t _{PHL}			10	15	ns

※ Switching parameter measurement information

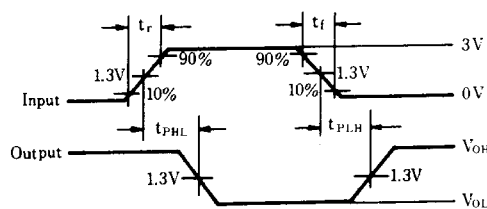
1. Measurement circuit



Notes

- C_L includes probe and tool floating capacitance.
- Diodes are all MA161.

2. Waveforms



Notes

- Input waveform: tr ≤ 15ns, tr ≤ 6ns, PRR = 1MHz, duty cycle = 50%.