

MSL915

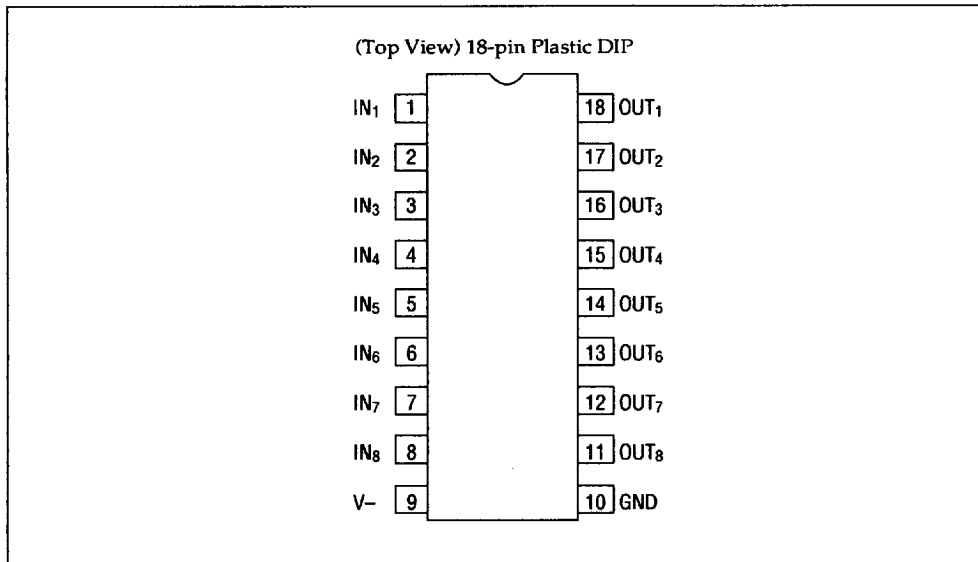
O K I SEMICONDUCTOR GROUP

8-BIT PARALLEL-IN PARALLEL-OUT**GENERAL DESCRIPTION**

The MSL915 is a high voltage vacuum fluorescent display tube driver, which uses negative voltage and contains eight circuits. Each output contains a pull-down resistor, which allows the driver to directly drive the vacuum fluorescent display tube.

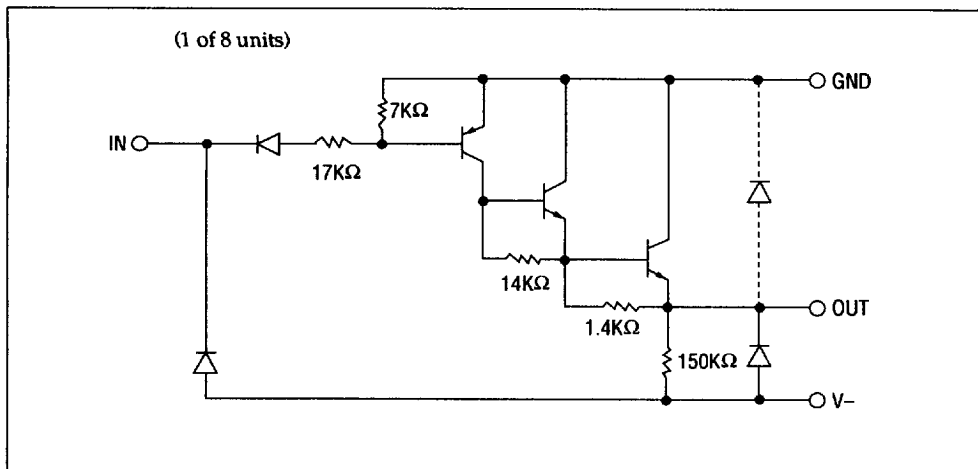
Input may be driven directly by the TTL or CMOS.

- 18-pin Plastic DIP (DIP 18-P-300)

PIN CONFIGURATION

CIRCUIT CONFIGURATION

O K I SEMICONDUCTOR GROUP



ELECTRICAL CHARACTERISTICS

• Absolute Maximum Ratings

Parameter	Symbol	Condition	Limits	Unit
Supply voltage	V-	T _a =25°C	GND +0.3 ~ GND -65	V
Input voltage	V _i	T _a =25°C	GND +0.5 ~ GND -10	V
Output voltage	V _o	T _a =25°C	GND +0.3 ~ V ⁻ -0.5	V
Output current	I _o	T _a =25°C, only one circuit ON	+0.9 ~ -45	mA
Storage temperature	T _{stg}	-	-55 ~ +150	°C

• Recommended Operating Conditions

Parameter	Symbol	Condition	Limits	Unit
Supply voltage	V-	-	GND -20 ~ GND -60	V
Input voltage	V _i	-	GND ~ GND -7	V
Output current	I _o	Only one circuit ON*	+0.8 ~ -40	mA
		Per circuit when all circuits are ON*	+0.8 ~ -5	mA
		Total output current*	+0.8 x 8 ~ -40	mA
Operating temperature	T _{op}	-	-30 ~ +75	°C

* Duty: 50% max.

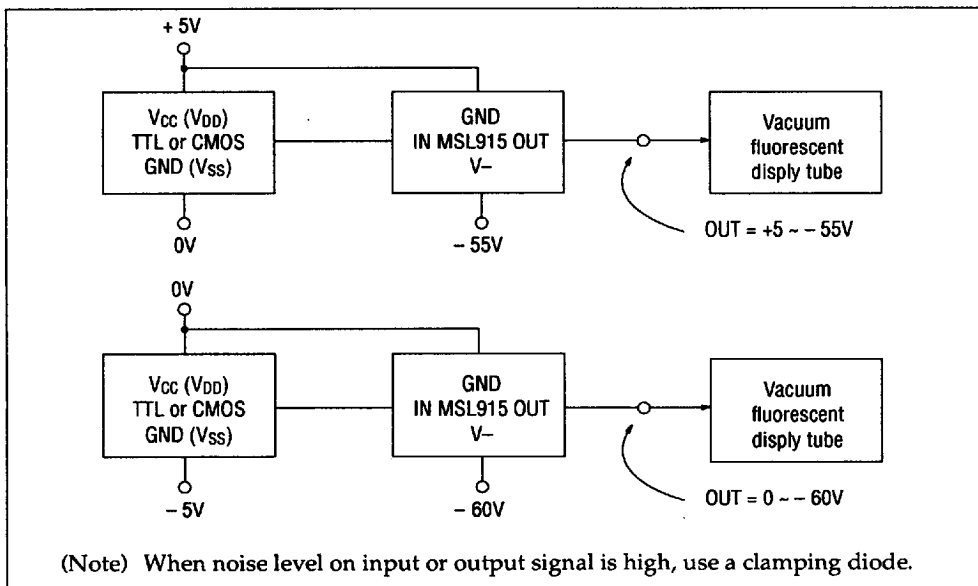
OKI SEMICONDUCTOR GROUP

• DC Characteristics

(Ta = -30 ~ +75°C, TYP: Ta = 25°C)

Parameter	Symbol	Condition			Specification			Unit
		V (V)	V _i (V)	I _O (mA)	MIN	TYP	MAX	
High input voltage	V _{IH}	-60	-	-	-	-	-1.5	V
Low input voltage	V _{IL}	-60	-	-	-4	-	-	V
High input current	I _{IH}	-60	-1.5	-	-	-70	-280	μA
Low input current	I _{IL1}	-60	-4	-	-	-0.23	-1.2	mA
	I _{IL2}	-60	-7	-	-	-0.58	-2.6	mA
High output voltage	V _{OH}	-60	-4	-40	-	-1.5	-3	V
Low output voltage	V _{OL}	-60	-1.5	0	-55	-59	-	V
Supply current	I _{CC OFF}	-60	ALL INPUTS -1.5	0	-	0.7	1.3	mA
	I _{CC ON}	-60	ALL INPUTS -4	0	-	6	12	mA
Pull-down resistor	R _{PD}	-60	ALL INPUTS 0	V _O = -3V	60	150	270	kΩ

APPLICATION NOTE



Information furnished by OKI is believed to be accurate and reliable. However, no responsibility is assumed by OKI for its use; nor for any infringements of patents or other rights of third parties which may result from its use. No license is granted by implication or otherwise under any patent rights of OKI.