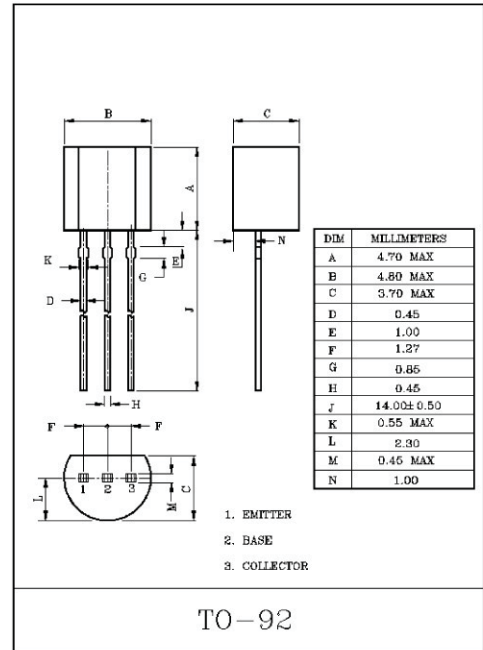


HIGH VOLTAGE APPLICATION.
TELEPHONE APPLICATION.

MAXIMUM RATINGS (Ta=25°C)

| CHARACTERISTIC | | SYMBOL | RATING | UNIT |
|-----------------------------|--------|------------------|---------|------|
| Collector-Base Voltage | MPSA42 | V _{CB0} | 300 | V |
| | MPSA43 | | 200 | |
| Collector-Emitter Voltage | MPSA42 | V _{CE0} | 300 | V |
| | MPSA43 | | 200 | |
| Emitter-Base Voltage | | V _{EBO} | 6.0 | V |
| Collector Current | | I _C | 500 | mA |
| Emitter Current | | I _E | -500 | mA |
| Collector Power Dissipation | | P _C | 625 | mW |
| Junction Temperature | | T _j | 150 | °C |
| Storage Temperature Range | | T _{stg} | -55~150 | °C |



ELECTRICAL CHARACTERISTICS (Ta=25°C)

| CHARACTERISTIC | | SYMBOL | TEST CONDITION | MIN. | TYP. | MAX. | UNIT |
|--------------------------------------|------------------------|----------------------|--|------|------|------|------|
| Collector-Base Breakdown Voltage | MPSA42 | V _{(BR)CBO} | I _C =100μA, I _E =0 | 300 | - | - | V |
| | MPSA43 | | | 200 | - | - | |
| Collector-Emitter Breakdown Voltage | MPSA42 | V _{(BR)CEO} | I _C =1.0mA, I _B =0 | 300 | - | - | V |
| | MPSA43 | | | 200 | - | - | |
| Collector Cut-off Current | MPSA42 | I _{CBO} | V _{CB} =200V | - | - | 0.1 | μA |
| | MPSA43 | | V _{CB} =160V | - | - | 0.1 | |
| Emitter Cut-off Current | MPSA42 | I _{EBO} | V _{EB} =6V | - | - | 0.1 | μA |
| | MPSA43 | | V _{EB} =4V | - | - | 0.1 | |
| DC Current Gain | * h _{FE} | | I _C =1.0mA, V _{CE} =10V | 40 | - | - | |
| | | | I _C =10mA, V _{CE} =10V | 40 | - | - | |
| | | | I _C =30mA, V _{CE} =10V | 40 | - | - | |
| Collector-Emitter Saturation Voltage | * V _{CE(sat)} | | I _C =20mA, I _B =2.0mA | - | - | 0.5 | V |
| Base-Emitter Saturation Voltage | * V _{BE(sat)} | | I _C =20mA, I _B =2.0mA | - | - | 0.9 | V |
| Transition Frequency | f _T | | V _{CE} =20V, I _C =10mA, f=100MHz | 50 | - | - | MHz |
| Collector Output Capacitance | MPSA42 | C _{ob} | V _{CB} =20V, I _E =0, f=1MHz | - | - | 3.0 | pF |
| | MPSA43 | | | - | - | 4.0 | |

*Pulse Test : Pulse Width ≤ 300μS, Duty Cycle ≤ 2.0%

