

The PC series subminiature circular electrical connectors are used to connect circuits in radio and electrical equipment. The cable plug is connected to the socket fixed to the device via a threaded connection nut. The two devices can also be directly connected (mated) through plugs and sockets installed on each device.

Subminiature circular electrical connectors are available in both sealed and unsealed versions, and both the plug and the socket can be equipped with tail accessories. The socket is equipped with pins, while the plug is equipped with holes.

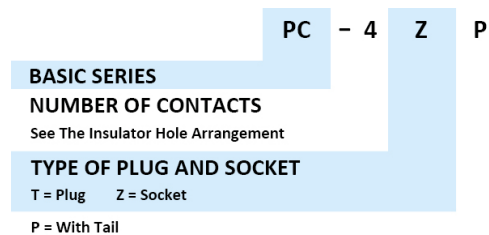
Technical Specifications:

- Operating Temperature: -60°C ~ +140°C
- Vibration Acceleration: 5-2500Hz, PC15g, PCM18g
- Impact Acceleration: PC repeatedly 50g, PCM 100g
- Operating voltage: 200V
- Contact resistance: ≤5mΩ
- Insulation resistance: ≥1000MΩ
- Insulation voltage strength: 1000V
- Mechanical Life: 250 cycles
- Contact diameter: Φ1.0mm
- Insulator Material: Bakelite
- Shell Material: Aluminum Alloy

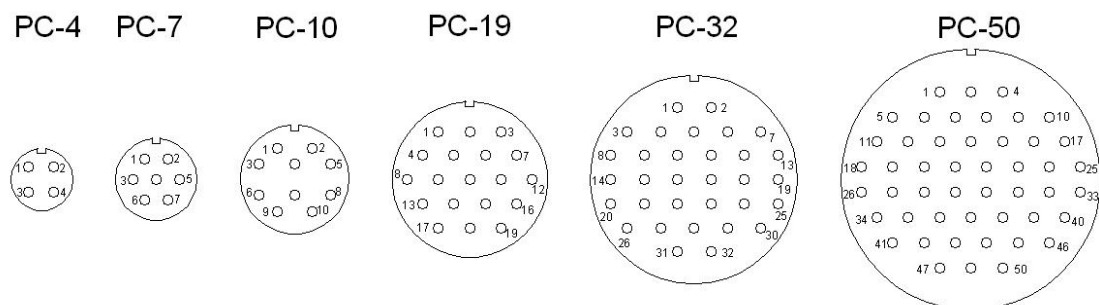
Current loading:

Number of contacts	Overall current load(A)
4	15
7	22
10	30
19	40
32	62
50	75

Part number



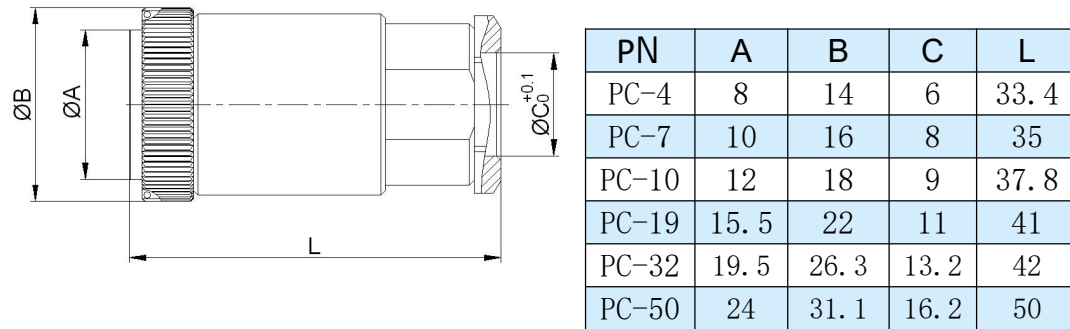
Insulator Hole Arrangement (Viewed from the direction of the socket contact end)



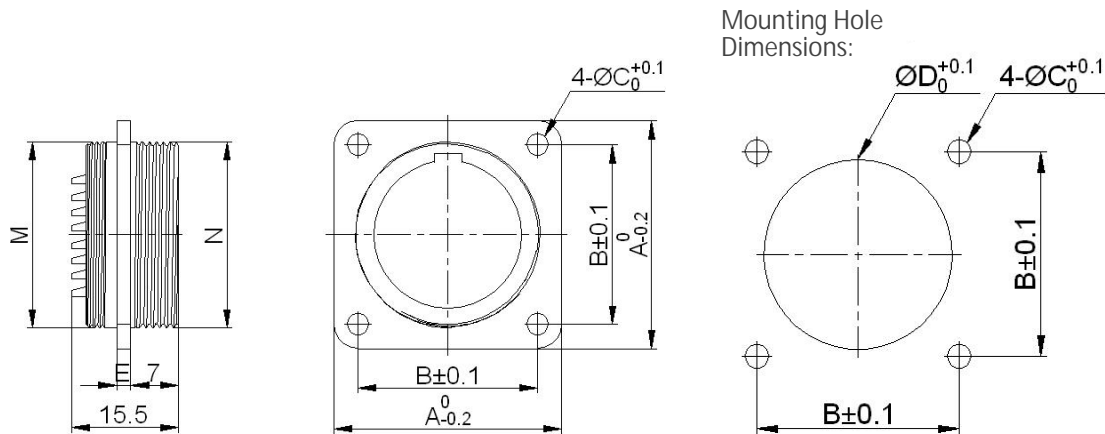
Pin Diameter: Ø1.0 ♂

Shape and installation dimensions

Cable Plug with Tail Attachment



Socket without Tail Attachment



PN	A	B	C	D	E	M	N
PC-4	16.5	11.8	2.2	10.5	1.4	M10×0.75	M10×0.75
PC-7	18	13.2	2.2	12.5	1.4	M12×0.75	M12×0.75
PC-10	20	15	2.2	14.5	1.4	M14×0.75	M14×0.75
PC-19	24	18	2.2	18.5	1.4	M18×0.75	M18×1
PC-32	28	21.5	2.7	22.5	1.8	M22×0.75	M22×1
PC-50	33	26	3.2	27.5	2	M27×0.75	M27×1