

HRS4

POWER RELAY

Features

- Miniature relay
Dimensions: 19.0×15.5×15.8(mm)
- Contact: 1 Form A, 1 Form B, 1 Form C
- TV-5 rating
- UL Class F insulation

Safety Approval

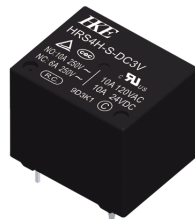
NO.E164730



NO.50116136



NO.CQC08002027614

Relay Picture**ORDERING INFORMATION****HRS4** [H] - [S] - [DC12V] - [A]

Model	Coil Power	Enclosure	Coil Voltage	Contact Form
	H - High Sensitivity (360mW) Blank - Standard (450mW)	S - Plastic Sealed Type	DC3V, DC5V, DC6V, DC9V, DC12V, DC24V, DC48V	A - 1 Form A B - 1 Form B C - 1 Form C

SPECIFICATION**CONTACT DATA**

Contact Form	1 Form A, 1 Form B, 1 Form C	
Contact Material	Ag Alloy	
Contact Rating	A: 15A 125VAC, 10A 250VAC C: NO: 10A 250VAC/24VDC NC: 6A 250VAC/24VDC TV-5 125VAC	
Contact Resistance	Max. 100mΩ (6VDC 1A)	
Load	Max. Switching Voltage	250VAC/28VDC
	Max. Switching Current	15A
	Max. Switching Power	2,500VA, 280W
	Min. Switching Load	5VDC, 100mA
Life	Electrical	100,000 operations
	Mechanical	10,000,000 operations

GENERAL DATA

Insulation Resistance	Min. 1000MΩ 500VDC	
Dielectric Strength	Between open contacts	750VAC, 1 min
	Between coil and contacts	1,500VAC, 1min
Operate Time	Max. 10ms	
Release Time	Max. 5ms	
Operating Temperature	-40°C to +85°C	
Humidity	35~95%RH, +40°C	
Shock Resistance	Endurance	1,000m/s ²
	Misoperation	100m/s ²
Vibration Resistance	Endurance	10~55Hz, 1.5mm double amplitude
	Misoperation	10~55Hz, 1.5mm double amplitude
Weight	Approximately 10.0g	

Note:Data shown are of initial value

COIL DATA

Nominal Coil Power	360mW, 450mW
--------------------	--------------

SAFETY APPROVAL

File Number	Contact Form	Power Consumption	Coil Voltage	Contact Rating	Remarks
CQC 08002027614 (GB/T 21711.1-2008)	A	0.36W/0.45W	3-48VDC	10A 250VAC	Ambient Temperature: 85°C
				15A 250VAC	Ambient Temperature: 65°C
				16A 250VAC	Ambient Temperature: 40°C
	B	0.36W/0.45W	3-48VDC	6A 250VAC	Ambient Temperature: 85°C
	C	0.36W/0.45W	3-48VDC	NO/NC:10A/6A 250VAC	Ambient Temperature: 85°C

ISO9001、IATF16949、ISO14001 Approved

HKE HRS4-68

HRS4

POWER RELAY

SAFETY APPROVAL

File Number	Contact Form	Power Consumption	Coil Voltage	Contact Rating	Remarks
TUV 50116136	A/B/C	0.36W/0.45W	3-48VDC	NO/NC:10A/6A 250VAC	Ambient Temperature: 105°C
TUV50116136 (EN 60730-1)				NO:10A(2)A 250VAC NC:6(1)A 250VAC	Ambient Temperature: 105°C
TUV 50116136-005	A	0.36W	3-48VDC	15A 250VAC	Ambient Temperature: 65°C
UL E164730	A	0.36W/0.45W	3-48VDC	15A 125VAC	Class F Insulation Ambient Temperature: 65°C
		0.36W	3-48VDC	16A 125VAC	Class F Insulation Ambient Temperature: 105°C
	A/C	0.36W/0.45W	3-48VDC	1/2HP 120VAC	-
				1/2HP 240VAC	-
	C(NO)/A	0.36W/0.45W	3-48VDC	NO/10A 120VAC(GP)	Ambient Temperature: 105°C
	C(NC)/B	0.36W/0.45W	3-48VDC	NC/10A 120VAC(GP)	Ambient Temperature: 85°C
	A/B/C	0.36W/0.45W	3-48VDC	NO/10A 250VAC(GP) NC/10A 250VAC(GP)	Ambient Temperature: 85°C
	A/B/C	0.36W/0.45W	3-48VDC	NO/10A 24VDC/28VDC(Res) NC/10A 24VDC/28VDC(Res)	Ambient Temperature: 85°C
	A/B/C	0.36W/0.45W	3-48VDC	NO/10A 250VAC(GP) NC/6A 250VAC(GP)	Ambient Temperature: 85°C
	A/C	0.36W/0.45W	3-48VDC	NO/TV-5 125VAC	Ambient Temperature: 40°C

Specifications subject to change without notice

COIL DATA

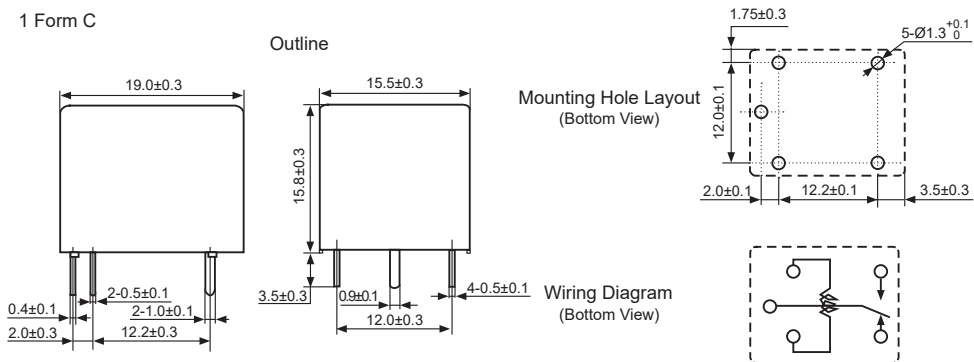
Ambient Temperature: 23°C

Model	Nominal Voltage VDC	Coil Resistance Ω +/-10%	Operate Voltage \leq VDC	Release Voltage \geq VDC	Coil Power mW
HRS4-S-DC3V	3	20	2.1	0.3	450
HRS4-S-DC5V	5	55	3.5	0.5	
HRS4-S-DC6V	6	80	4.2	0.6	
HRS4-S-DC9V	9	180	6.3	0.9	
HRS4-S-DC12V	12	320	8.4	1.2	
HRS4-S-DC24V	24	1280	16.8	2.4	
HRS4-S-DC48V	48	5120	33.6	4.8	
HRS4H-S-DC3V	3	25	2.1	0.3	360
HRS4H-S-DC5V	5	70	3.5	0.5	
HRS4H-S-DC6V	6	100	4.2	0.6	
HRS4H-S-DC9V	9	225	6.3	0.9	
HRS4H-S-DC12V	12	400	8.4	1.2	
HRS4H-S-DC24V	24	1600	16.8	2.4	
HRS4H-S-DC48V	48	6400	33.6	4.8	

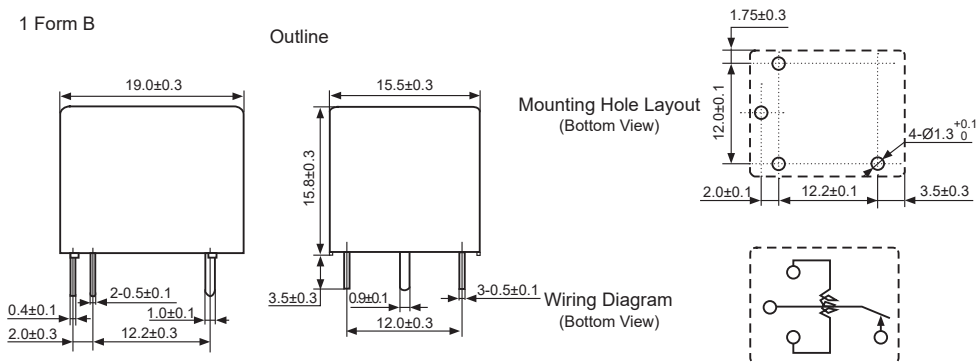
ISO9001, IATF16949, ISO14001 Approved

OUTLINE, WIRING DIAGRAM, MOUNTING HOLE LAYOUT (UNIT: mm)

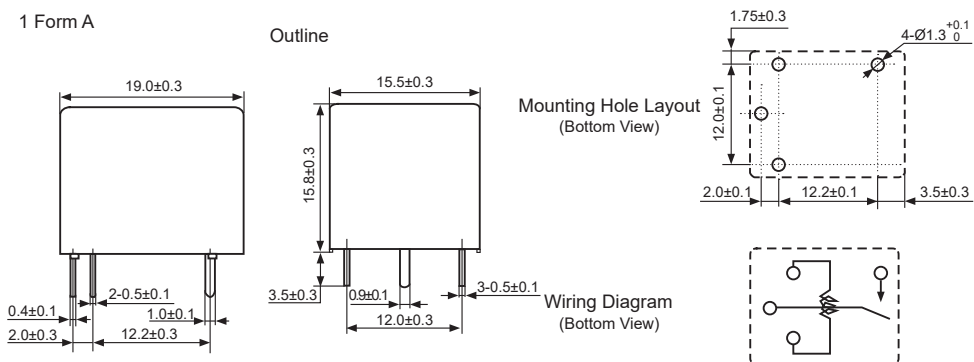
1 Form C



1 Form B



1 Form A

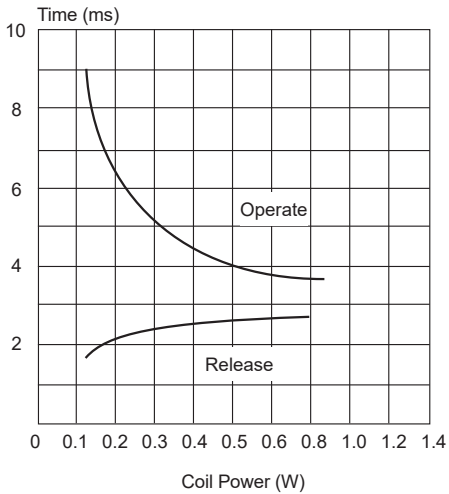


HRS4

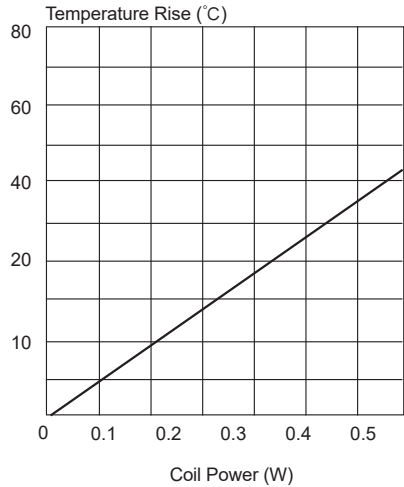
POWER RELAY

REFERENCE DATA

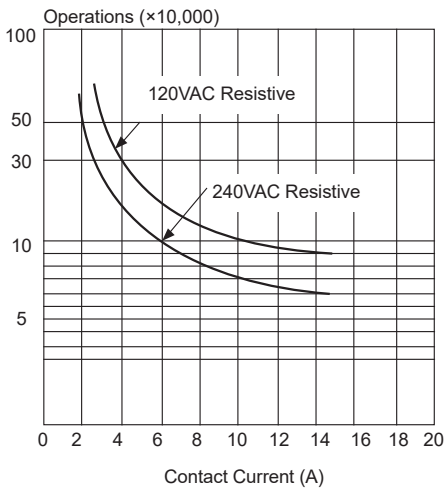
Time Curve



Coil Temperature Rise



Life Curves



Maximum Switching Power

