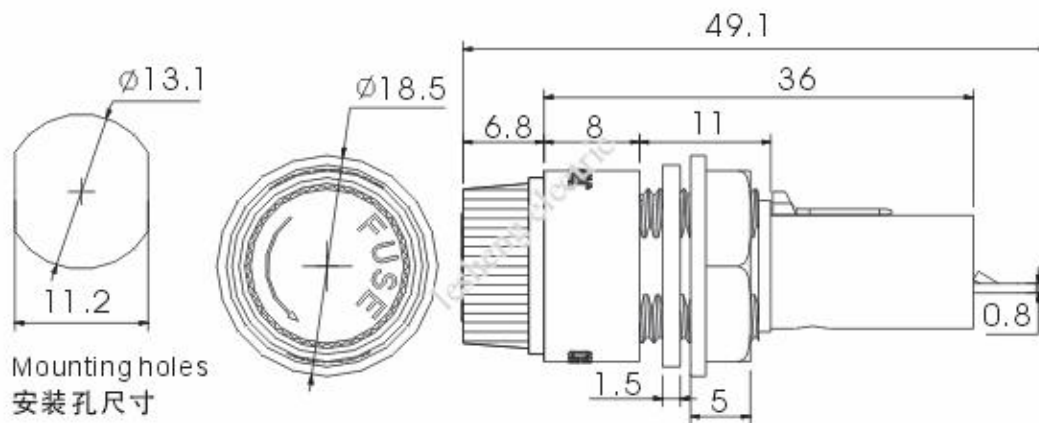


## CFHB01 Series Fuse Holder

### Specification



- Electrical Characteristics

For Fuse	Rated Amperage	Rated Voltage	Operating Power	Contact Resistance	Insulation Resistance	Dielectric Strength
6 x 30mm	15A	250V	4W	<5mΩ	>100 MΩ	>3000Vac/60"

- Cap Type : Screw Type
- Material: Insulating Body : PR UL 94 V0  
Contact : CuZn 37 + Ni + Sn
- For panel mounting
- Mounting: Fastened by nut
- Safety Approvals:

TEL : 0086-574-62646008 62645882

FAX : 0086-574-62645883

ADD : 21 NO.XianJian North Road, YuYao Zhejiang China , POST CODE : 315400

TECHNICAL SUPPORT : E-mail : wei@lesheng.com